



**DECADES AHEAD<sup>®</sup>**  
**high power RF devices**

**Werlatone<sup>®</sup>, Inc.**

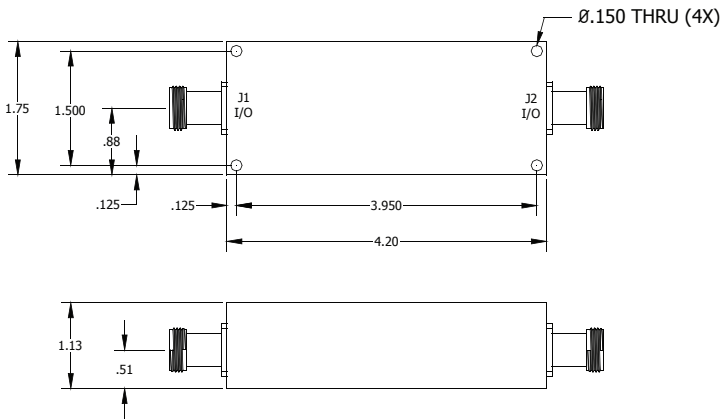
17 Jon Barrett Road Patterson, New York 12563  
 T (845) 278 2220      www.werlatone.com  
 F (845) 278 3440      sales@werlatone.com



**Absorptive Low Pass Filter**

**Model AF9680**

Pass Band:	10 - 520 MHz
Stop Band:	1040 - 3000 MHz
Power:	160 W CW (10-520 MHz)
Power:	10 W CW (521-5000 MHz)
Insertion Loss:	0.6 dB Max. (Pass Band)
Rejection:	60 dB Min. (1575-1750 MHz)
VSWR:	1.25:1 Max. (10-520 MHz)
VSWR:	1.60:1 Max. (521-1500 MHz)



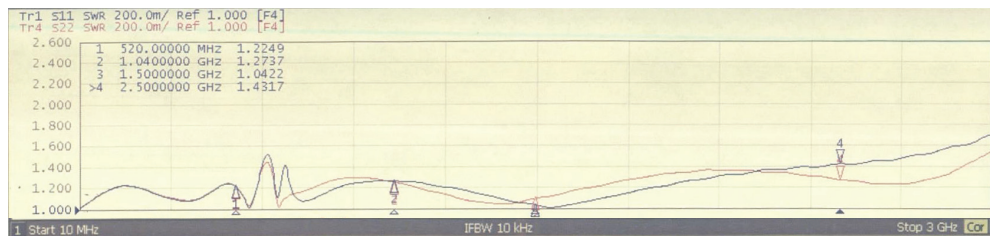
**Connector Configurations**

Model	J1 (Input/Output)	J2 (Input/Output)
AF9680-10	N Female	N Female
AF9680-12	N Female	SMA
AF9680-102	SMA	SMA

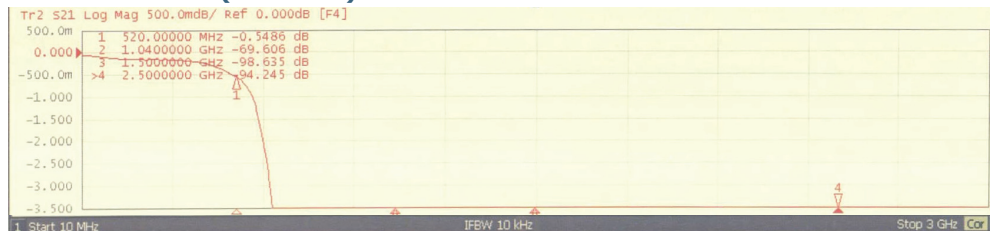
**Notes**

- All specifications guaranteed
- Test data provided with each unit shipped
- Operating Temperature: -55°C to +75°C

**VSWR:**



**Insertion Loss (In-Band):**



**Rejection:**

