



**DECADES AHEAD<sup>®</sup>**  
high power RF devices

**Werlatone<sup>®</sup>, Inc.**

17 Jon Barrett Road Patterson, New York 12563  
T (845) 278 2220      www.werlatone.com  
F (845) 278 3440      sales@werlatone.com



**4-Way *Non-Isolated* Combiner/Divider**

**Model D9811**

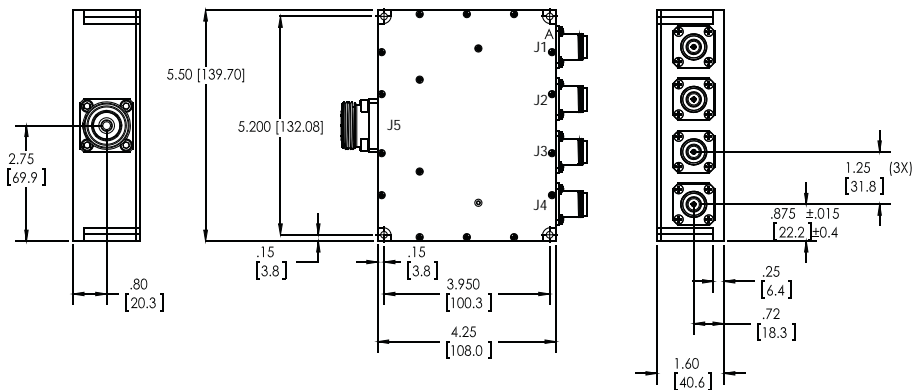
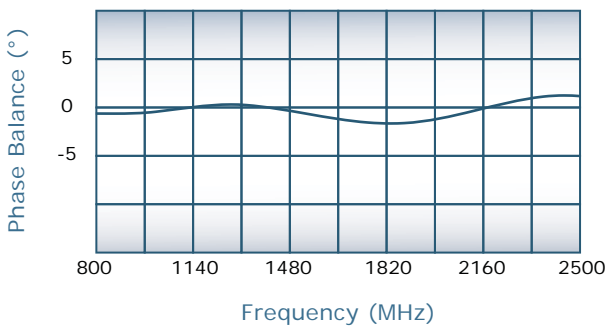
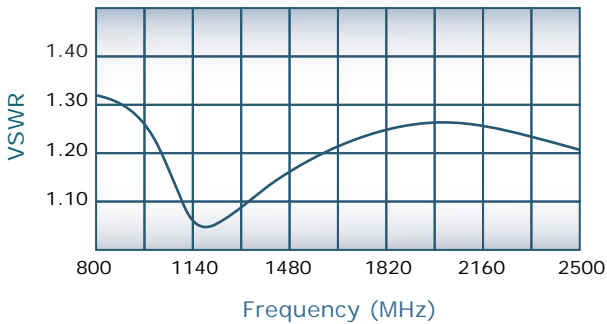
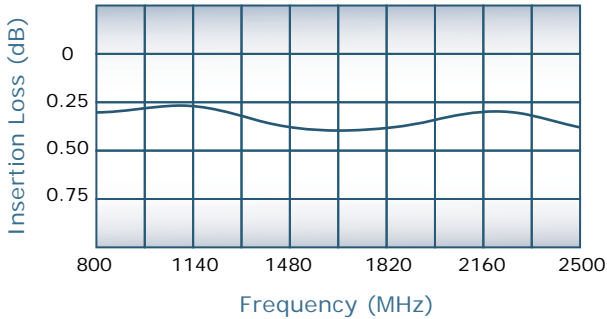
Frequency:	800 - 2500 MHz
Power:	1,000 W CW
Insertion Loss:	0.5 dB Max.
VSWR:	1.35:1 Max.
Phase Balance:	± 5° Max.
Amplitude Balance:	0.25 dB Max.

**Notes**

- All specifications guaranteed
- Test data provided with each unit shipped
- Alternate connector configurations upon request
- Weight: 2.7 Pounds
- Operating Temperature: -55°C to +75°C

**Connector Configurations**

Model	J5 (Sum Port)	J1-J4 (Input/Output)
D9811-20	7/16 Female	N Female
D9811-22	7/16 Female	SMA



**SINCE 1965**

