
PRODUCT DATA SHEET
C8696

4-Port Dual Directional Coupler employs two, 3-Port Uni-Directional Couplers, internally connected, in tandem, providing measurement of both forward and reverse power. Ideal for simultaneously monitoring a system's forward and reverse power and for reflectometer measurements. Unlike the Bi-Directional Coupler, the directivity of the Dual Directional Coupler is unaffected by the loads on the coupled ports.

Features:

High Power Wide Bandwidths Small Size Flat Coupling Custom Designs Available

Electrical Specifications:

Frequency: 20 - 1000 MHz
 Power: 150 W CW
 Coupling: 40 ± 1.0 dB Max.
 Insertion Loss: 0.35 dB Max.
 Flatness: ± 0.5 dB Max.
 VSWR (ML): 1.25:1 Max.
 Directivity: 20 dB Min.

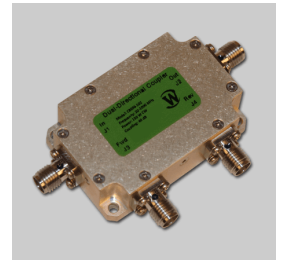
Mechanical Specifications:

Type: Connectorized
 Material: Aluminum 6061-T6
 Surface Finish: Chem. Film Per MIL-DTL-5541F
 Type I Class 3 (Yellow Iridite)
 RoHS Compliant Available
 Operating Temperature: -55°C to +75°C
 Storage Temperature: -60°C to +85°C
 Humidity: 95% Non-Condensing
 Size: 1.76 x 1.16 x 0.565"

Connector Configurations:

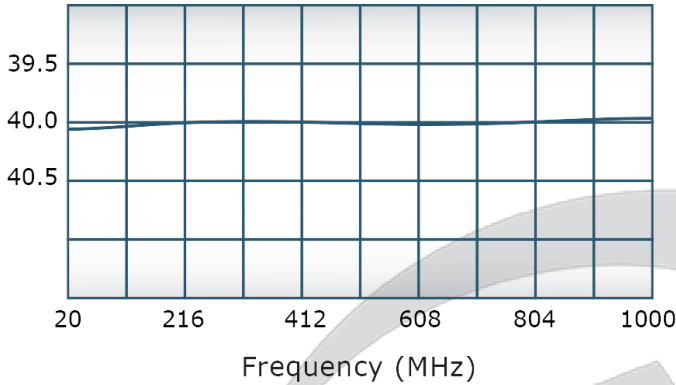
Model	Input (J1)	Output (J2)	Fwd (J3)	Rev (J4)
C8696-102	SMA	SMA	SMA	SMA

Werlatone® Broadband Dual, Uni, and Bi Directional RF Couplers are designed to tolerate the most stringent operating conditions associated with military and EMC testing environments. Many of our RF Directional Couplers, designated Mismatch Tolerant®, will operate continuously, at rated power, into a severe load mismatch condition. Our multi-octave Directional Couplers maintain exceptional coupling flatness, directivity, VSWR, and insertion loss.

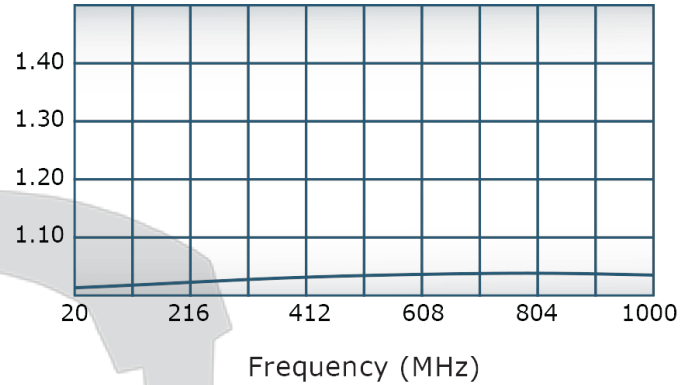


Performance Data (Specifications subject to change without notice):

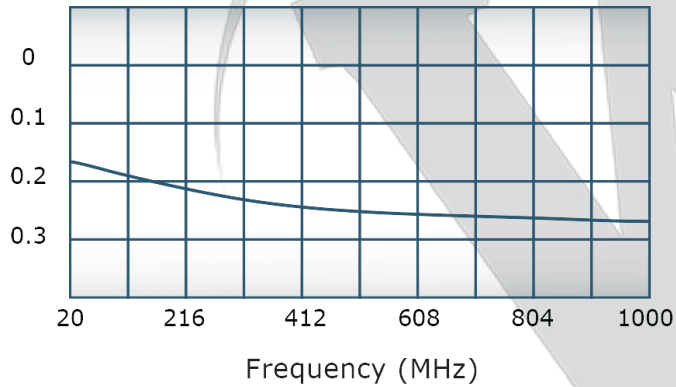
Coupling:



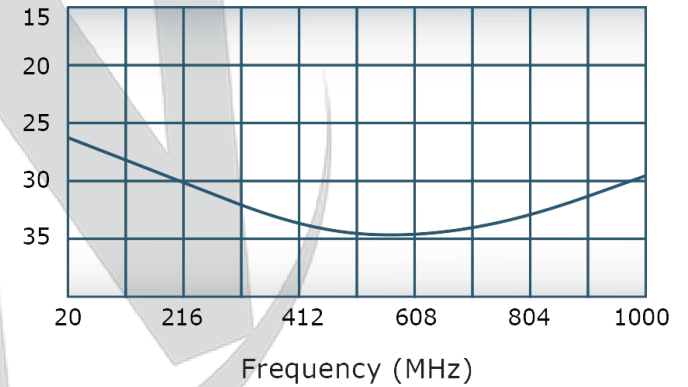
VSWR:



Insertion Loss:



Directivity:



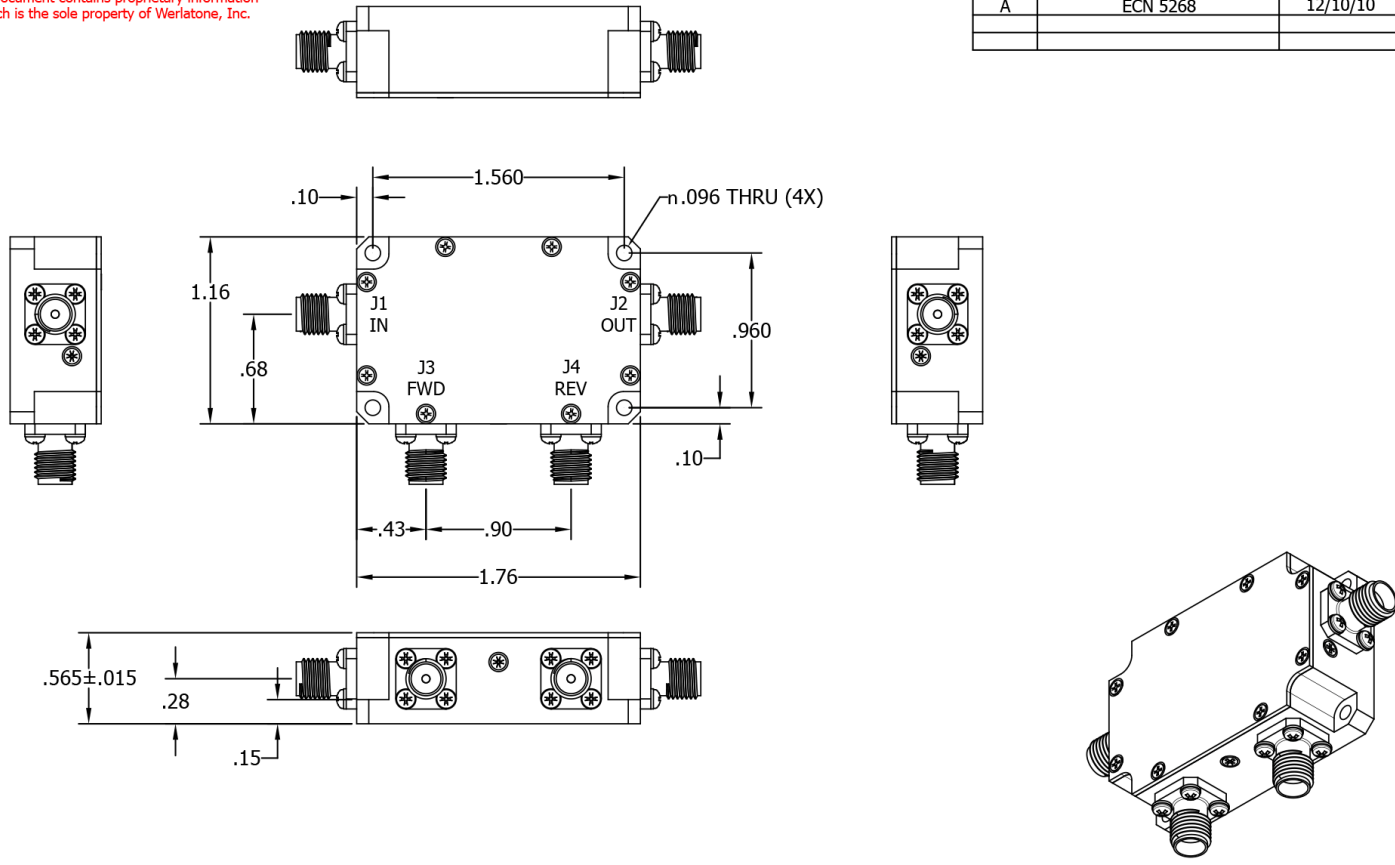
Restriction on use, duplication, or disclosure of proprietary information. This document contains proprietary information which is the sole property of

Werlatone, Inc.

Werlatone, Inc. 17 Jon Barrett Road Patterson, NY 12563 T:(845)278-2220 F:(845)278-3440 sales@werlatone.com www.werlatone.com

RESTRICTION ON USE, DUPLICATION OR DISCLOSURE OF PROPRIETARY INFORMATION
 This document contains proprietary information which is the sole property of Werlatone, Inc.

REVISION HISTORY			
REV	REVISION RECORD	DATE	APPROVED
-	INITIAL RELEASE	7/23/10	BW
A	ECN 5268	12/10/10	BW



UNLESS OTHERWISE SPECIFIED		DWN	DATE	WERLATONE SINCE 1965	17 Jon Barrett Rd Patterson, NY 12563								
<ul style="list-style-type: none"> • INTERPRET DRAWING LAW MIL-STD-100 • DIMENSIONING PER ASME Y14.5M-2009 • PARENTHEetical INFO FOR REF ONLY • DIMENSIONS ARE IN INCHES • DIMENSIONAL LIMITS APPLY BEFORE PROCESSES • TOLERANCES: ANGLES ± 2° XXX ± .005 XX ± .015 • HOLE TOLERANCES ± .005 		GP	12/10/2010										
THIRD ANGLE PROJECTION		CHK	DATE	<table border="1"> <tr> <td>SIZE</td> <td>CAGE CODE</td> <td>DWG NO</td> <td>REV</td> </tr> <tr> <td>A</td> <td>28812</td> <td>20675-500</td> <td>A</td> </tr> </table>		SIZE	CAGE CODE	DWG NO	REV	A	28812	20675-500	A
SIZE	CAGE CODE	DWG NO	REV										
A	28812	20675-500	A										
		NH	12/10/2010	<table border="1"> <tr> <td>SCALE</td> <td colspan="2">SHEET 1 OF 1</td> </tr> <tr> <td>1:1</td> <td colspan="2"></td> </tr> </table>		SCALE	SHEET 1 OF 1		1:1				
SCALE	SHEET 1 OF 1												
1:1													
		ENGR	DATE										
		BW	12/10/2010										
		MFGR	DATE										
		QA	DATE										
		RLSE	DATE										
		BW	12/10/2010										

Restriction on use, duplication, or disclosure of proprietary information. This document contains proprietary information which is the sole property of Werlatone, Inc.
 Werlatone, Inc. 17 Jon Barrett Road Patterson, NY 12563 T:(845)278-2220 F:(845)278-3440 sales@werlatone.com www.werlatone.com