


PRODUCT DATA SHEET
C8406

4-Port Dual Directional Coupler employs two, 3-Port Uni-Directional Couplers, internally connected, in tandem, providing measurement of both forward and reverse power. Ideal for simultaneously monitoring a system's forward and reverse power and for reflectometer measurements. Unlike the Bi-Directional Coupler, the directivity of the Dual Directional Coupler is unaffected by the loads on the coupled ports.

Features:

High Power Wide Bandwidths Small Size Flat Coupling Custom Designs Available

Electrical Specifications:

Frequency: 126 - 129 MHz
 Power: 3000 W CW
 Coupling: 60 ± 1.0 dB Max.
 Insertion Loss: 0.15 dB Max.
 Flatness: ± 0.5 dB Max.
 VSWR (ML): 1.20:1 Max.
 Directivity: 25 dB Min.

Mechanical Specifications:

Type: Connectorized
 Material: Aluminum 6061-T6
 Surface Finish: Chem. Film Per MIL-DTL-5541F
 Type I Class 3 (Yellow Iridite)
 RoHS Compliant Available
 Operating Temperature: -55°C to +75°C
 Storage Temperature: -60°C to +85°C
 Humidity: 95% Non-Condensing
 Size: 3.0 X 3.0 X 1.59"

Connector Configurations:

| Model | Input (J1) | Output (J2) | Fwd (J3) | Rev (J4) |
|-----------|-------------|-------------|----------|----------|
| C8406-20 | 7/16 Female | 7/16 Female | N Female | N Female |
| C8406-22 | 7/16 Female | 7/16 Female | SMA | SMA |
| C8406-23 | 7/16 Female | 7/16 Female | BNC | BNC |
| C8406-727 | 7/16 Male | 7/16 Female | N Female | N Female |

Werlatone® Broadband Dual, Uni, and Bi Directional RF Couplers are designed to tolerate the most stringent operating conditions associated with military and EMC testing environments. Many of our RF Directional Couplers, designated Mismatch Tolerant®, will operate continuously, at rated power, into a severe load mismatch condition. Our multi-octave Directional Couplers maintain exceptional coupling flatness, directivity, VSWR, and insertion loss.

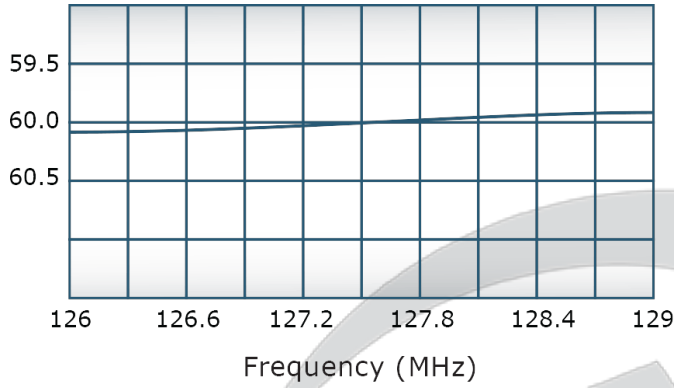


PRODUCT DATA SHEET

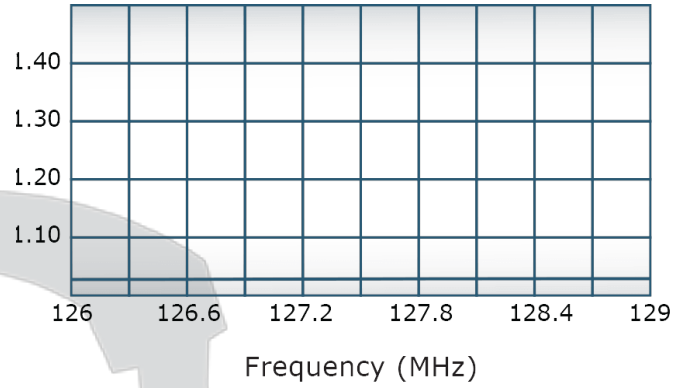
C8406

Performance Data (Specifications subject to change without notice):

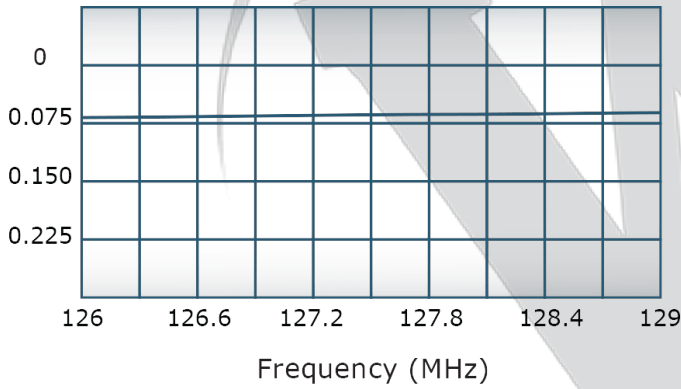
Coupling:



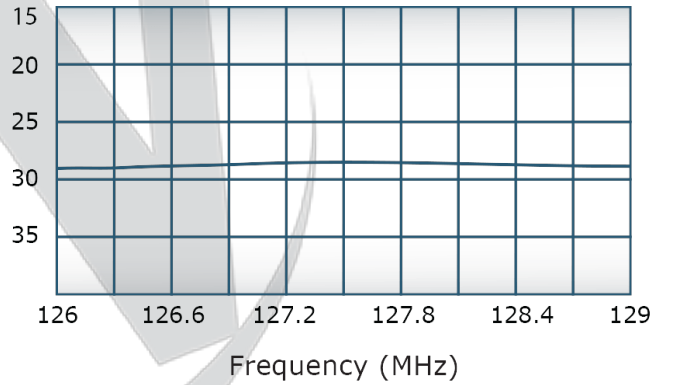
VSWR:



Insertion Loss:



Directivity:



Restriction on use, duplication, or disclosure of proprietary information. This document contains proprietary information which is the sole property of

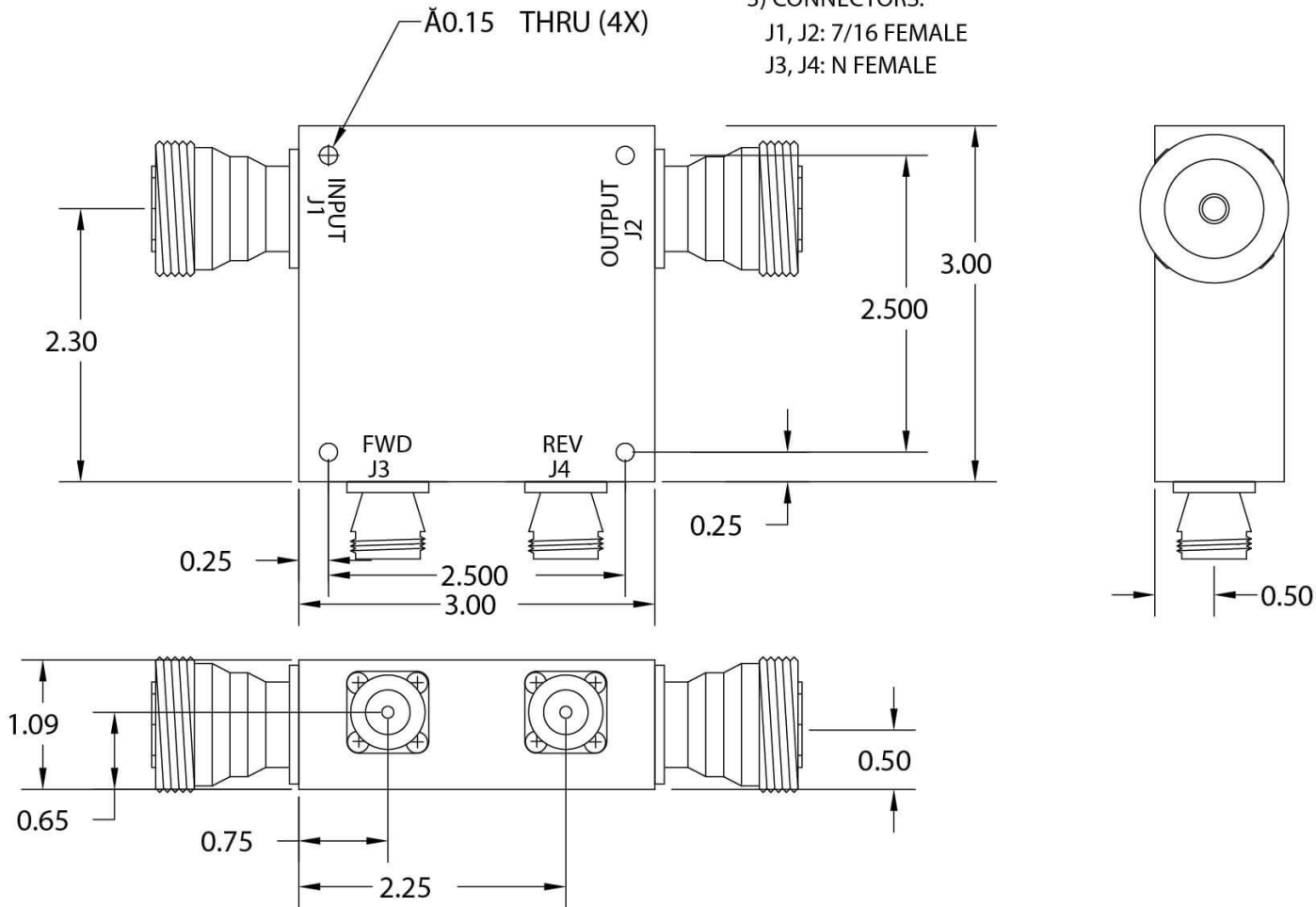
Werlatone, Inc.

Werlatone, Inc. 17 Jon Barrett Road Patterson, NY 12563 T:(845)278-2220 F:(845)278-3440 sales@werlatone.com www.werlatone.com

| DATE | SYM | REVISION RECORD | AUTH | DR | CK |
|------|-----|-----------------|------|----|----|
| | | | | | |
| | | | | | |
| | | | | | |
| | | | | | |

NOTES:

- 1) MAT'L ALUM
- 2) FINISH CHEM FILM (YELLOW IRIDTE)
- 3) CONNECTORS:
 J1, J2: 7/16 FEMALE
 J3, J4: N FEMALE



THIS DRAWING CONTAINS INFORMATION PROPRIETARY TO WERLATONE INC. AND MAY NOT BE USED OR COPIED WITHOUT THE WRITTEN CONSENT OF WERLATONE INC.

| | | | |
|-----------------------------|----------------------|-----------------------------|---------------------------|
| TOLERANCE | WERLATONE INC. | | |
| XX +/- .015 XXX +/- .005 | USED ON: | SCALE | DRAWN BY: RH APPVD BY: |
| X | TITLE OUTLINE | | |
| | DATE 12/10/04 | DRAWING NUMBER 10379-520 | |

Restriction on use, duplication, or disclosure of proprietary information. This document contains proprietary information which is the sole property of Werlatone, Inc. Werlatone, Inc. 17 Jon Barrett Road Patterson, NY 12563 T:(845)278-2220 F:(845)278-3440 sales@werlatone.com www.werlatone.com