
**PRODUCT DATA SHEET**
**C8188**

**3-Port Uni-Directional Coupler:** Consists of a main line and a coupled line. One end of the coupled line is internally terminated, while the other end serves as a coupled port. Ideal for sampling and monitoring power in one direction at a given time. It is necessary to physically reverse the orientation of the unit to change from a forward to a reverse power measurement.

**Features:**

High Power      Wide Bandwidths      Small Size      Flat Coupling      Custom Designs Available

**Electrical Specifications:**

Frequency:            30 - 3000 MHz  
 Power:                20 W CW  
 Coupling:             20 ± 1.0 dB Max.  
 Insertion Loss:       2.4 dB Max.  
 Flatness:              ± 1.0 dB Max.  
 VSWR (ML):          1.35:1 Max.  
 Directivity:            18 dB Min.

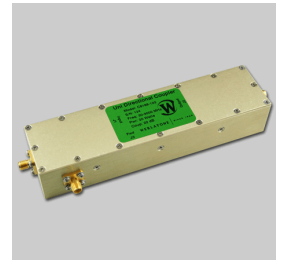
**Mechanical Specifications:**

Type:                    Connectorized  
 Material:               Aluminum 6061-T6  
 Surface Finish:        Chem. Film Per MIL-DTL-5541F  
                               Type I Class 3 (Yellow Iridite)  
                               RoHS Compliant Available  
 Operating Temperature: -55°C to +75°C  
 Storage Temperature: -60°C to +85°C  
 Humidity:              95% Non-Condensing  
 Size:                    6.0 x 1.5 x 1.1"  
 Weight:                 11 ounces

**Connector Configurations:**

Model	Input (J1)	Output (J2)	Fwd (J3)
C8188-10	N Female	N Female	N Female
C8188-12	N Female	N Female	SMA
C8188-102	SMA	SMA	SMA

**Werlatone®** Broadband Dual, Uni, and Bi Directional RF Couplers are designed to tolerate the most stringent operating conditions associated with military and EMC testing environments. Many of our RF Directional Couplers, designated Mismatch Tolerant®, will operate continuously, at rated power, into a severe load mismatch condition. Our multi-octave Directional Couplers maintain exceptional coupling flatness, directivity, VSWR, and insertion loss.

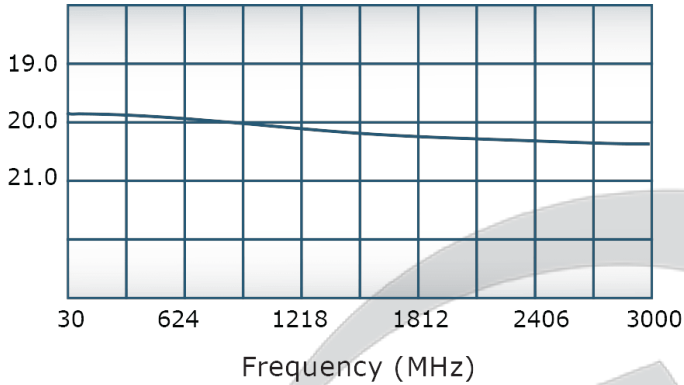


PRODUCT DATA SHEET

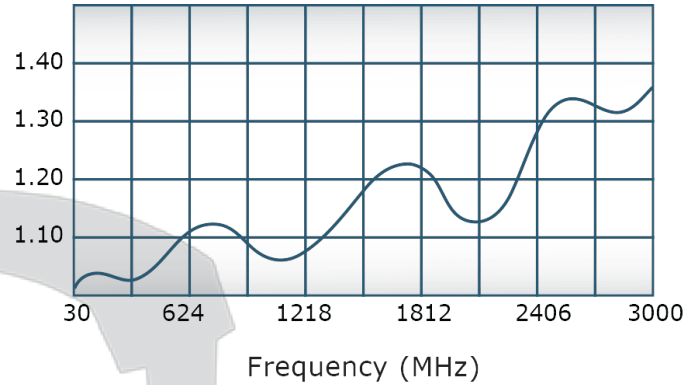
C8188

**Performance Data (Specifications subject to change without notice):**

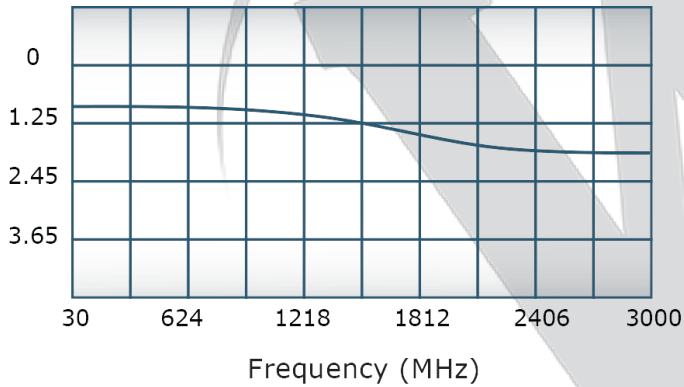
Coupling:



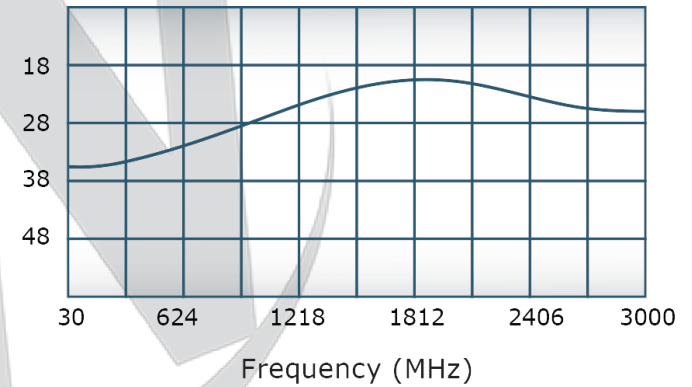
VSWR:



Insertion Loss:



Directivity:

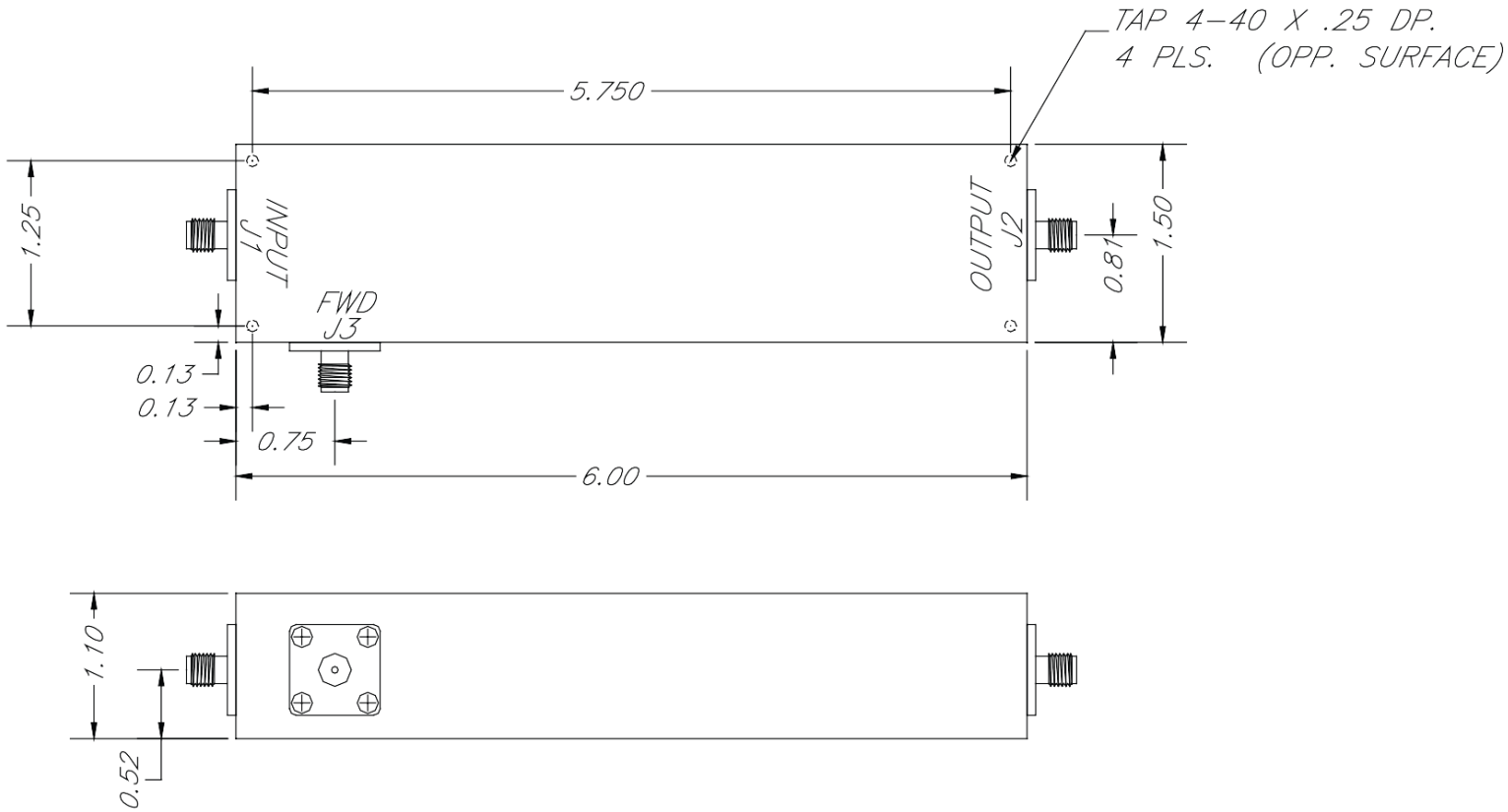


**Restriction on use, duplication, or disclosure of proprietary information.** This document contains proprietary information which is the sole property of

Werlatone, Inc.

Werlatone, Inc. 17 Jon Barrett Road Patterson, NY 12563 T:(845)278-2220 F:(845)278-3440 sales@werlatone.com www.werlatone.com

DATE	SYM	REVISION RECORD	AUTH	DR	CK
8/27/07	A	ECN# 4310	NH	NH	



THIS DRAWING CONTAINS INFORMATION PROPRIETARY TO WERLATONE INC. AND MAY NOT BE USED OR COPIED WITHOUT THE WRITTEN CONSENT OF WERLATONE INC.

TOLERANCE	WERLATONE INC.		
XX +/- .015 XXX +/- .005	SCALE	DRAWN BY: NH	APPVD BY: BW
TITLE <i>OUTLINE</i>		DATE	DRAWING NUMBER
		10/13/03	10933-500A

Restriction on use, duplication, or disclosure of proprietary information. This document contains proprietary information which is the sole property of Werlatone, Inc. Werlatone, Inc. 17 Jon Barrett Road Patterson, NY 12563 T:(845)278-2220 F:(845)278-3440 sales@werlatone.com www.werlatone.com