


PRODUCT DATA SHEET
C6207

4-Port Dual Directional Coupler employs two, 3-Port Uni-Directional Couplers, internally connected, in tandem, providing measurement of both forward and reverse power. Ideal for simultaneously monitoring a system's forward and reverse power and for reflectometer measurements. Unlike the Bi-Directional Coupler, the directivity of the Dual Directional Coupler is unaffected by the loads on the coupled ports.

Features:

High Power Wide Bandwidths Small Size Flat Coupling Custom Designs Available

Electrical Specifications:

Frequency: 1 - 30 MHz
 Power: 100 W CW
 Coupling: 40 ± 1.0 dB Max.
 Insertion Loss: 0.15 dB Max.
 Flatness: ± 0.25 dB Max.
 VSWR (ML): 1.15:1 Max.
 Directivity: 20 dB Min.

Mechanical Specifications:

Type: Connectorized
 Material: Aluminum 6061-T6
 Surface Finish: Chem. Film Per MIL-DTL-5541F
 Type I Class 3 (Yellow Iridite)
 RoHS Compliant Available
 Operating Temperature: -55°C to +75°C
 Storage Temperature: -60°C to +85°C
 Humidity: 95% Non-Condensing
 Size: 4.0 x 2.0 x 1.88"

Connector Configurations:

Model	Input (J1)	Output (J2)	Fwd (J3)	Rev (J4)
C6207-10	N Female	N Female	N Female	N Female
C6207-12	N Female	N Female	SMA	SMA
C6207-13	N Female	N Female	BNC	BNC
C6207-102	SMA	SMA	SMA	SMA
C6207-200	BNC	BNC	BNC	BNC

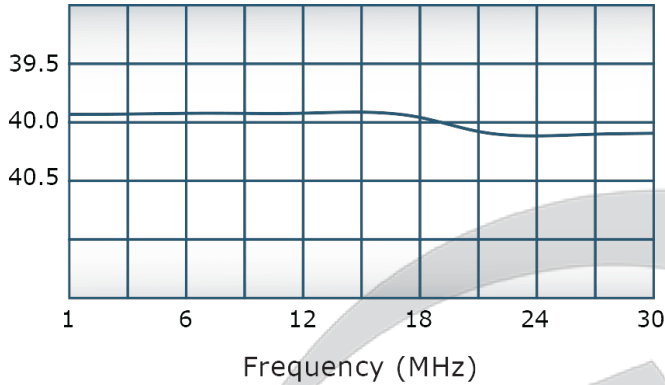
Werlatone® Broadband Dual, Uni, and Bi Directional RF Couplers are designed to tolerate the most stringent operating conditions associated with military and EMC testing environments. Many of our RF Directional Couplers, designated Mismatch Tolerant®, will operate continuously, at rated power, into a severe load mismatch condition. Our multi-octave Directional Couplers maintain exceptional coupling flatness, directivity, VSWR, and insertion loss.

Restriction on use, duplication, or disclosure of proprietary information. This document contains proprietary information which is the sole property of Werlatone, Inc.

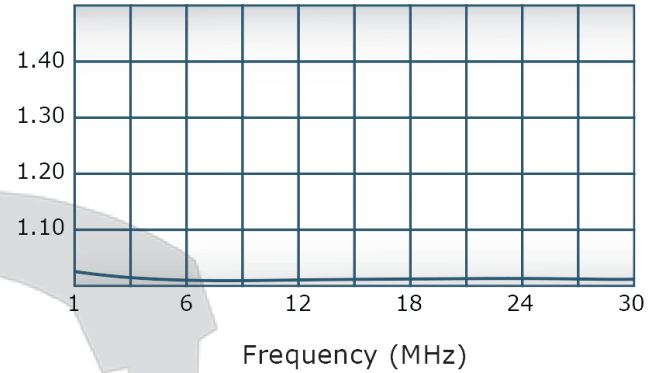
Werlatone, Inc. 17 Jon Barrett Road Patterson, NY 12563 T:(845)278-2220 F:(845)278-3440 sales@werlatone.com www.werlatone.com


PRODUCT DATA SHEET
C6207
Performance Data (Specifications subject to change without notice):

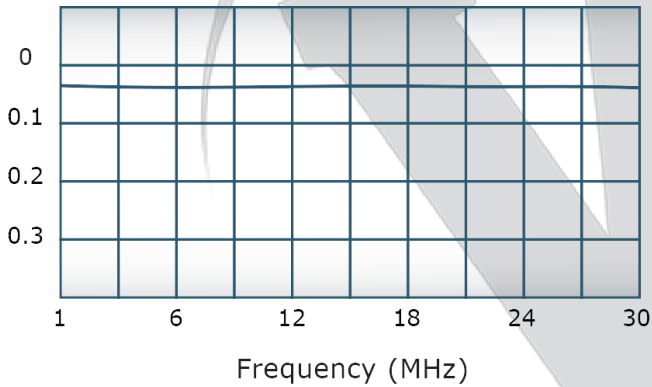
Coupling:



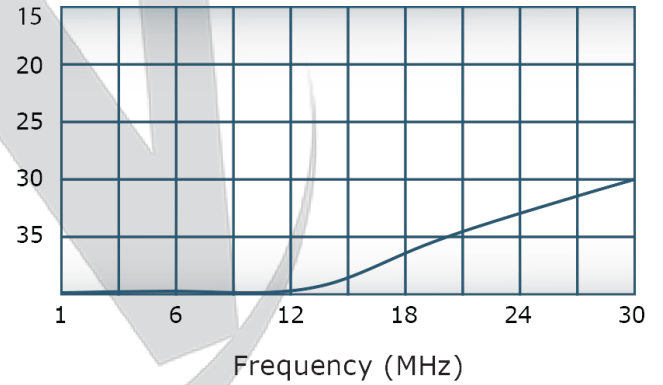
VSWR:



Insertion Loss:



Directivity:



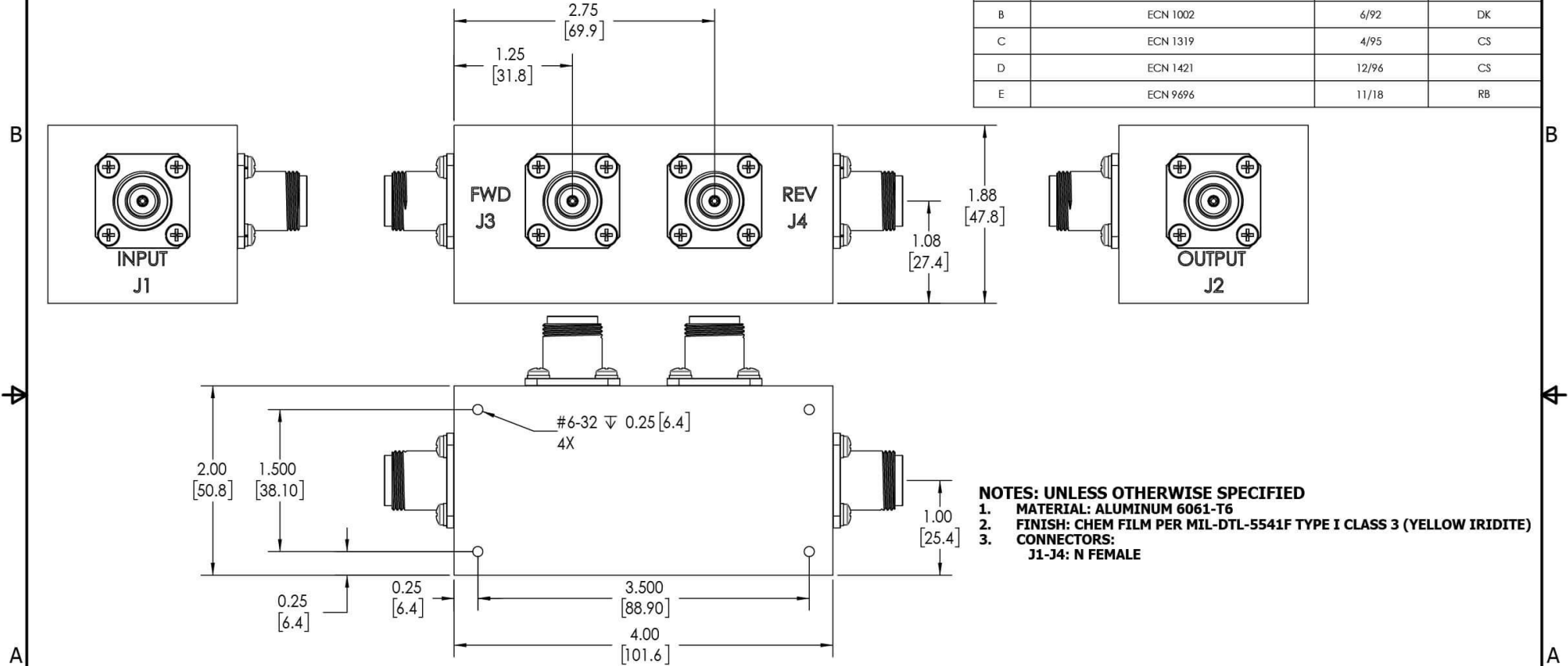
Restriction on use, duplication, or disclosure of proprietary information. This document contains proprietary information which is the sole property of

Werlatone, Inc.

Werlatone, Inc. 17 Jon Barrett Road Patterson, NY 12563 T:(845)278-2220 F:(845)278-3440 sales@werlatone.com www.werlatone.com

RESTRICTION ON USE, DUPLICATION OR DISCLOSURE OF PROPRIETARY INFORMATION
 This document contains proprietary information which is the sole property of Werlatone, Inc.

REVISION HISTORY			
REV.	REVISION RECORD	DATE	APPROVED
A	ECN 1001	10/86	GW
B	ECN 1002	6/92	DK
C	ECN 1319	4/95	CS
D	ECN 1421	12/96	CS
E	ECN 9696	11/18	RB



UNLESS OTHERWISE SPECIFIED		DWN	DATE	WERLATONE SINCE 1965 17 Jon Barrett Rd Patterson, NY 12563
INTERPRET DRAWING IN ACCORDANCE WITH MIL-STD-100 DIMENSIONS PER ASME Y14.5M-2009 PARENTHETICAL INFO FOR REF ONLY DIMENSIONS ARE IN INCHES DIMENSIONAL LIMITS APPLY BEFORE PROCESSES		SD	2/11/2019	
TOLERANCES: ANGLES ± 2° 3 PL ± .005 (1.3) 2 PL ± .015 (3.8) REMOVE ALL BURRS AND SHARP EDGES R.01 MAX CONCENTRICITY MACHINED DIA: .002 FIM MACHINE TOOL MISMATCH .003 MAX.		CHK	DATE	TITLE
NEXT ASSY		CS	2/11/2019	OUTLINE
USED ON		ENGR	DATE	SIZE
APPLICATION		INFR	DATE	CAGE CODE
THIRD ANGLE PROJECTION		QA	DATE	DWG NO
		RLSE	DATE	10018-500
				REV
				B
				SCALE
				1:1
				SHEET 1 OF 1

Restriction on use, duplication, or disclosure of proprietary information. This document contains proprietary information which is the sole property of Werlatone, Inc.
 Werlatone, Inc. 17 Jon Barrett Road Patterson, NY 12563 T:(845)278-2220 F:(845)278-3440 sales@werlatone.com www.werlatone.com