



## PRODUCT DATA SHEET

C5878

**Non-Isolated Uneven Splitters (Taps):** Utilized to un-evenly split a single run of 50 Ohm coaxial cable, hosting multiple frequency bands, so that a shorter corridor, tunnel, shaft, or hallway is provided a lesser portion of power on the main coaxial run than that required by a longer run. Non-Isolated Uneven Splitters are Bi-Directional, and unlike Directional Couplers, all ports can communicate with one another.

### Features:

High Power      Wide Bandwidths      Small Size      Flat Coupling      Custom Designs Available

### Electrical Specifications:

Frequency:      150 - 1000 MHz  
 Power:          350 W CW  
 Coupling:       6 ± 1.0 dB Max.  
 Insertion Loss: 0.5 dB Max.  
 Flatness:       ± 1.0 dB Max.  
 VSWR (ML):    1.30:1 Max.

### Mechanical Specifications:

Type:              Connectorized  
 Material:        Aluminum 6061-T6  
 Surface Finish: Chem. Film Per MIL-DTL-5541F  
                       Type I Class 3 (Yellow Iridite)  
                       RoHS Compliant Available  
 Operating Temperature: -55°C to +75°C  
 Storage Temperature:    -60°C to +85°C  
 Humidity:        95% Non-Condensing  
 Size:              7.6 x 8.4 x 1.5"

### Port Configurations:

Model	Input (J1)	Output (J2)	Fwd (J3)
C5878-10	N Female	N Female	N Female
C5878-20	7/16 Female	7/16 Female	N Female
C5878-24	7/16 Female	7/16 Female	7/16 Female

**Werlatone®** Broadband Non-Isolated Uneven Splitters (Taps) are designed to tolerate the most stringent operating conditions associated with Distributive Antenna Systems (DAS).

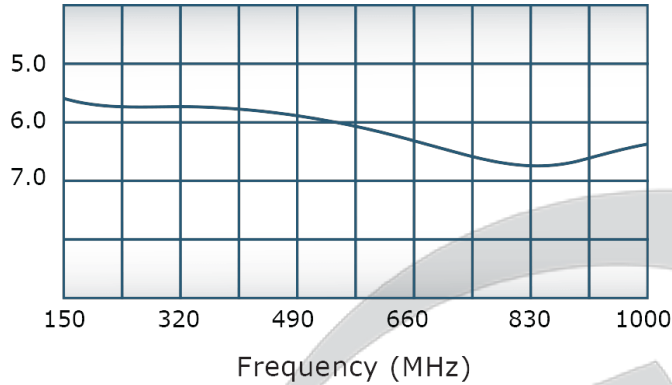


PRODUCT DATA SHEET

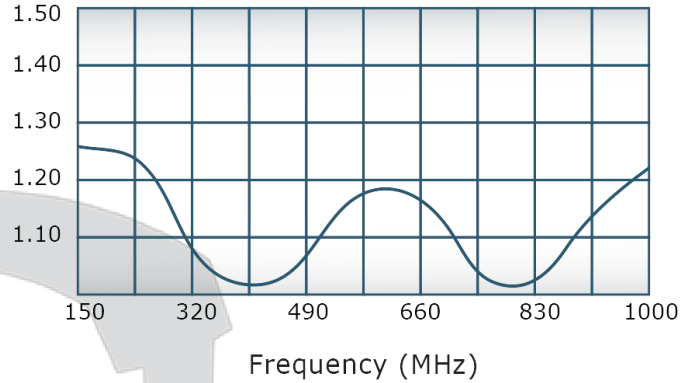
C5878

**Performance Data (Specifications subject to change without notice):**

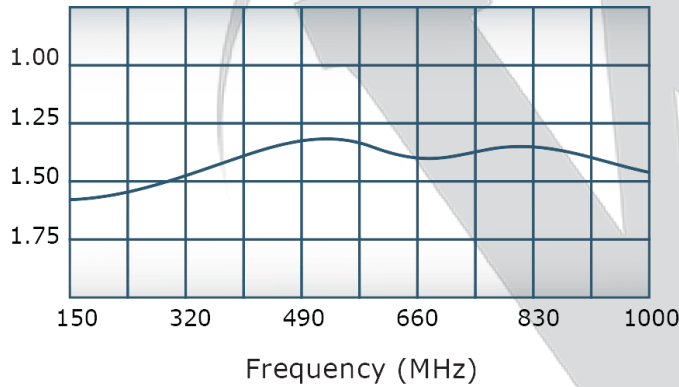
Coupling:



VSWR:



Insertion Loss:



For In-Building Applications

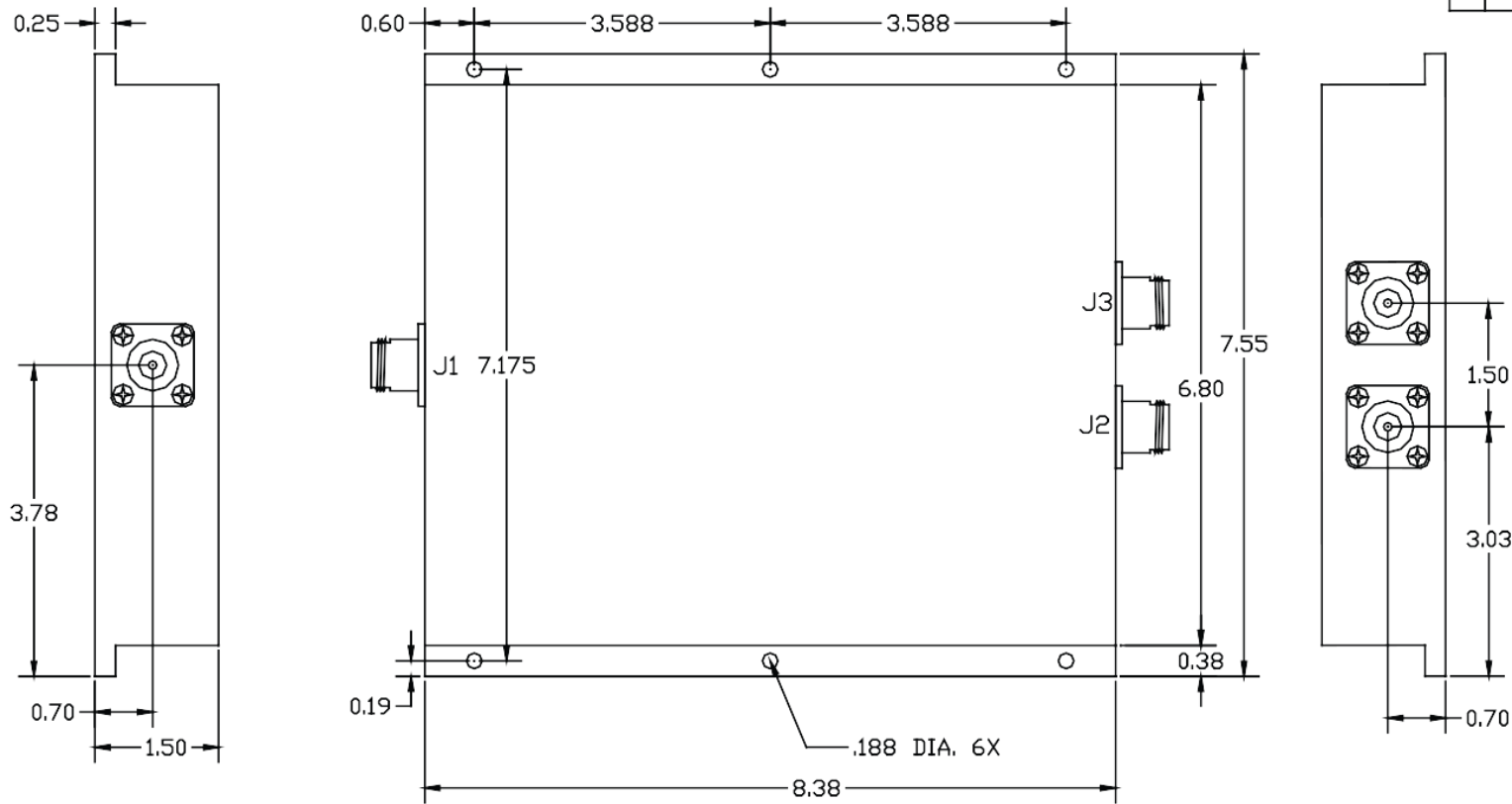


**Restriction on use, duplication, or disclosure of proprietary information.** This document contains proprietary information which is the sole property of

Werlatone, Inc.

Werlatone, Inc. 17 Jon Barrett Road Patterson, NY 12563 T:(845)278-2220 F:(845)278-3440 sales@werlatone.com www.werlatone.com

DATE	SYM	REVISION RECORD	AUTH	DR	CK



THIS DRAWING CONTAINS INFORMATION PROPRIETARY TO WERLATONE INC. AND MAY NOT BE USED OR COPIED WITHOUT THE WRITTEN CONSENT OF WERLATONE INC.

TOLERANCE	WERLATONE INC.		
XX +/- .015 XXX +/- .005	SCALE	DRAWN BY: SV	APPVD BY:
X	TITLE OUTLINE		
	DATE 9/29/00	DRAWING NUMBER 10570-500	

Restriction on use, duplication, or disclosure of proprietary information. This document contains proprietary information which is the sole property of Werlatone, Inc. Werlatone, Inc. 17 Jon Barrett Road Patterson, NY 12563 T:(845)278-2220 F:(845)278-3440 sales@werlatone.com www.werlatone.com