
PRODUCT DATA SHEET
C3110

4-Port Dual Directional Coupler employs two, 3-Port Uni-Directional Couplers, internally connected, in tandem, providing measurement of both forward and reverse power. Ideal for simultaneously monitoring a system's forward and reverse power and for reflectometer measurements. Unlike the Bi-Directional Coupler, the directivity of the Dual Directional Coupler is unaffected by the loads on the coupled ports.

Features:

High Power Wide Bandwidths Small Size Flat Coupling Custom Designs Available

Electrical Specifications:

Frequency: 20 - 500 MHz
 Power: 100 W CW
 Coupling: 40 ± 1.0 dB Max.
 Insertion Loss: 0.35 dB Max.
 Flatness: ± 0.25 dB Max.
 VSWR (ML): 1.30:1 Max.
 Directivity: 20 dB Min.

Mechanical Specifications:

Type: Connectorized
 Material: Aluminum 6061-T6
 Surface Finish: Chem. Film Per MIL-DTL-5541F
 Type I Class 3 (Yellow Iridite)
 RoHS Compliant Available
 Operating Temperature: -55°C to +75°C
 Storage Temperature: -60°C to +85°C
 Humidity: 95% Non-Condensing
 Size: 5.0 x 2.0 x 1.51"

Port Configurations:

Model	Input (J1)	Output (J2)	Fwd (J3)	Rev (J4)
C3110-10	N Female	N Female	N Female	N Female
C3110-12	N Female	N Female	SMA	SMA
C3110-13	N Female	N Female	BNC	BNC
C3110-102	SMA	SMA	SMA	SMA
C3110-200	BNC	BNC	BNC	BNC
C3110-712	N Male	N Male	SMA	SMA
C3110-714	N Male	N Female	N Female	N Female

Werlatone® Broadband Dual, Uni, and Bi Directional RF Couplers are designed to tolerate the most stringent operating conditions associated with military and EMC testing environments. Many of our RF Directional Couplers, designated Mismatch Tolerant®, will operate continuously, at rated power, into a severe load mismatch condition.

Restriction on use, duplication, or disclosure of proprietary information. This document contains proprietary information which is the sole property of Werlatone, Inc.

Werlatone, Inc. 17 Jon Barrett Road Patterson, NY 12563 T:(845)278-2220 F:(845)278-3440 sales@werlatone.com www.werlatone.com

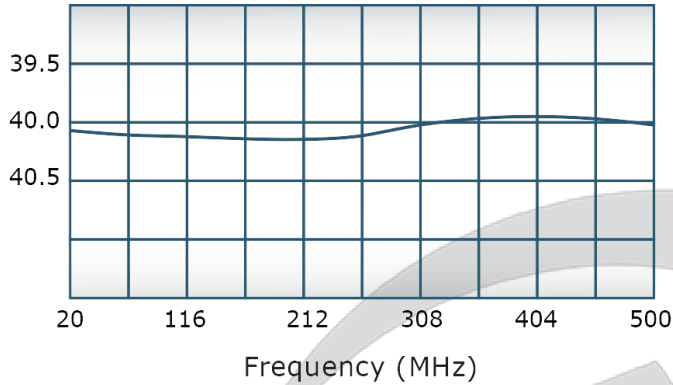


PRODUCT DATA SHEET

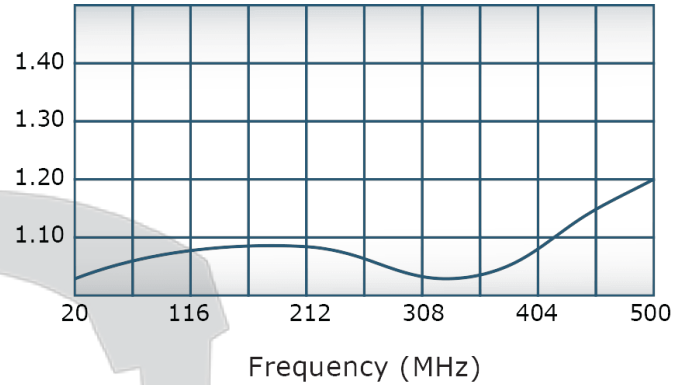
C3110

Performance Data (Specifications subject to change without notice):

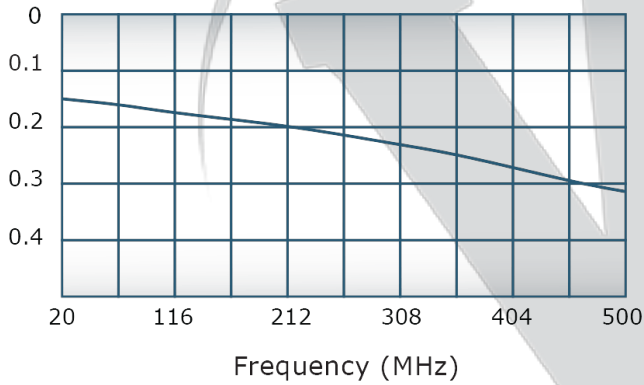
Coupling:



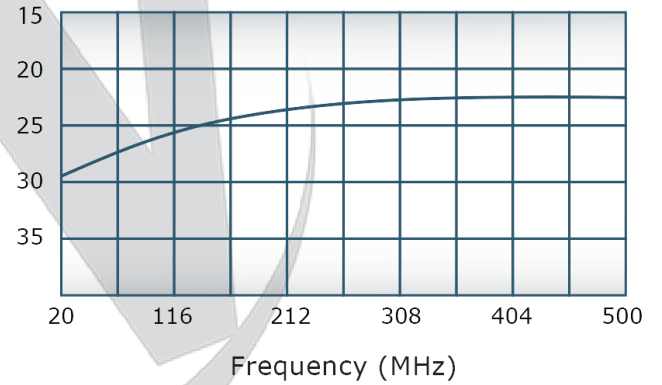
VSWR:



Insertion Loss:



Directivity:

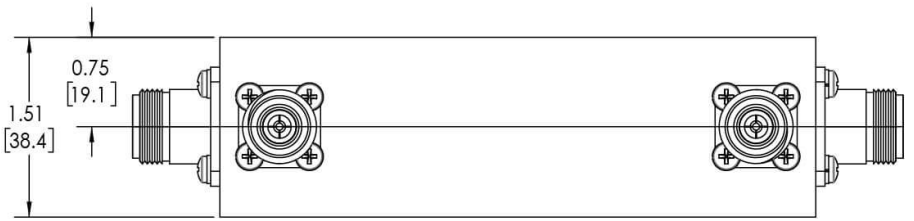
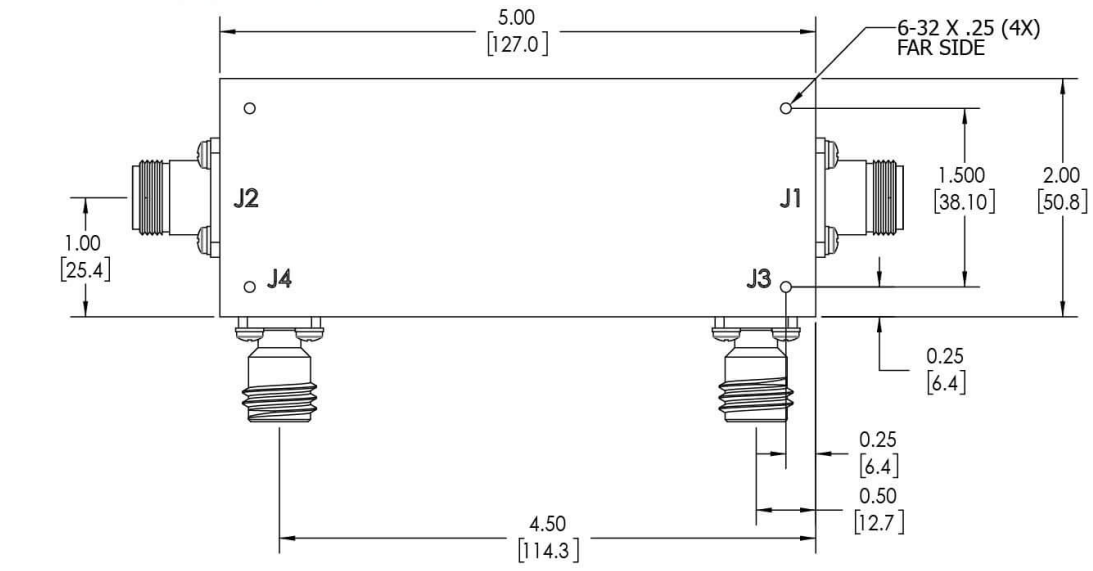


Restriction on use, duplication, or disclosure of proprietary information. This document contains proprietary information which is the sole property of

Werlatone, Inc.

Werlatone, Inc. 17 Jon Barrett Road Patterson, NY 12563 T:(845)278-2220 F:(845)278-3440 sales@werlatone.com www.werlatone.com

RESTRICTION ON USE, DUPLICATION OR DISCLOSURE OF PROPRIETARY INFORMATION
 This document contains proprietary information which is the sole property of Werlatone, Inc.



REVISION HISTORY			
REV.	REVISION RECORD	DATE	APPROVED
C	ECN 3567	10/5/2004	JE
D	ECN 4139	1/15/2007	JE
E	ECN 9696	5/15/2019	RB

- NOTES: UNLESS OTHERWISE SPECIFIED**
- MATERIAL: ALUMINUM 6061-T6**
 - FINISH: CHEM FILM PER MIL-DTL-5541F TYPE I CLASS 3 (YELLOW IRIDITE)**
 - CONNECTORS:**
 J1-J4: N FEMALE
 J1-INPUT; J2-OUTPUT
 J3-FWD; J4-REV

UNLESS OTHERWISE SPECIFIED		DWN	DATE	5/14/2019	WERLATONE SINCE 1965	17 Jon Barrett Rd Patterson, NY 12563		
INTERPRET DRAWING IAW MIL-STD-100	SD	DATE	5/14/2019	OUTLINE		SIZE	CAGE CODE	DWG NO
DIMENSIONS PER ASME Y14.5M-2009	CHK	DATE	5/14/2019		CS	B	20676-500	E
PARENTHEetical INFO FOR REF ONLY	ENGR	DATE			SCALE	1:1		SHEET 1 OF 1
DIMENSIONS ARE IN INCHES	INFR	DATE						
DIMENSIONAL LIMITS APPLY BEFORE PROCESSES	QA	DATE						
TOLERANCES:	RLSE	DATE						
ANGLES = 2°								
3 PL ± .005 [13]								
2 PL ± .015 [38]								
REMOVE ALL BURRS AND SHARP EDGES R.01 MAX								
CONCENTRICITY MACHINED DIA: .002 FIM								
MACHINE TOOL MISMATCH .003 MAX								

Restriction on use, duplication, or disclosure of proprietary information. This document contains proprietary information which is the sole property of Werlatone, Inc.
 Werlatone, Inc. 17 Jon Barrett Road Patterson, NY 12563 T:(845)278-2220 F:(845)278-3440 sales@werlatone.com www.werlatone.com