
**PRODUCT DATA SHEET**
**C2630**

**4-Port Dual Directional Coupler** employs two, 3-Port Uni-Directional Couplers, internally connected, in tandem, providing measurement of both forward and reverse power. Ideal for simultaneously monitoring a system's forward and reverse power and for reflectometer measurements. Unlike the Bi-Directional Coupler, the directivity of the Dual Directional Coupler is unaffected by the loads on the coupled ports.

**Features:**

High Power      Wide Bandwidths      Small Size      Flat Coupling      Custom Designs Available

**Electrical Specifications:**

Frequency:            0.01 - 1000 MHz  
 Power:                100 W CW  
 Coupling:            40 ± 1.0 dB Max.  
 Insertion Loss:      0.6 dB Max.  
 Flatness:            ± 0.5 dB Max.  
 VSWR (ML):        1.30:1 Max.  
 Directivity:          20 dB Min.

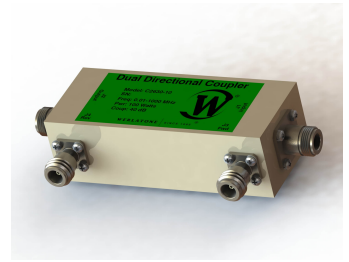
**Mechanical Specifications:**

Type:                    Connectorized  
 Material:              Aluminum 6061-T6  
 Surface Finish:      Chem. Film Per MIL-DTL-5541F  
                             Type I Class 3 (Yellow Iridite)  
                             RoHS Compliant Available  
 Operating Temperature: -55°C to +75°C  
 Storage Temperature: -60°C to +85°C  
 Humidity:             95% Non-Condensing  
 Size:                    5.0 x 2.0 x 1.51"

**Connector Configurations:**

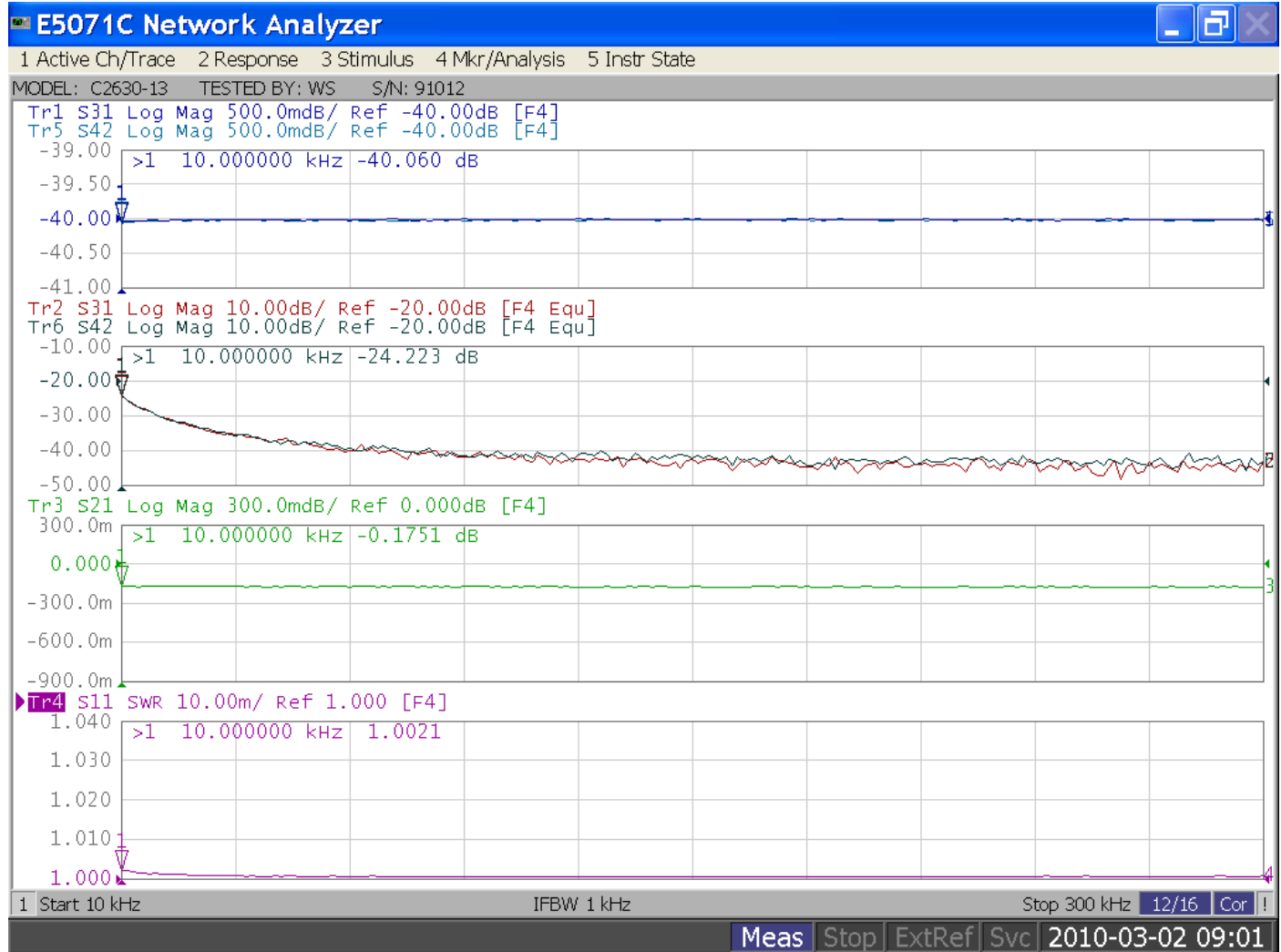
| Model     | Input (J1) | Output (J2) | Fwd (J3) | Rev (J4) |
|-----------|------------|-------------|----------|----------|
| C2630-10  | N Female   | N Female    | N Female | N Female |
| C2630-12  | N Female   | N Female    | SMA      | SMA      |
| C2630-13  | N Female   | N Female    | BNC      | BNC      |
| C2630-610 | N Female   | N Male      | N Female | N Female |
| C2630-714 | N Male     | N Female    | N Female | N Female |

**Werlatone®** Broadband Dual, Uni, and Bi Directional RF Couplers are designed to tolerate the most stringent operating conditions associated with military and EMC testing environments. Many of our RF Directional Couplers, designated Mismatch Tolerant®, will operate continuously, at rated power, into a severe load mismatch condition. Our multi-octave Directional Couplers maintain exceptional coupling flatness, directivity, VSWR, and insertion loss.



## Performance Data (Specifications subject to change without notice):

Plot 1: Coupling, Plot 2: Directivity, Plot 3: Insertion Loss, Plot 4: VSWR



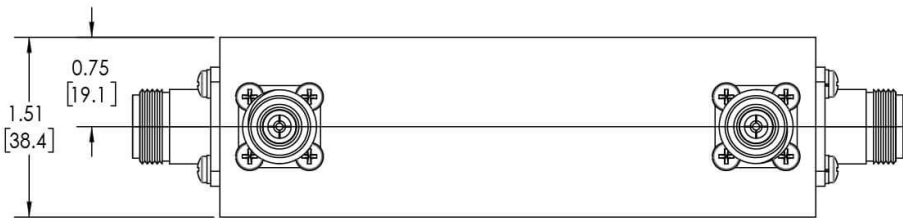
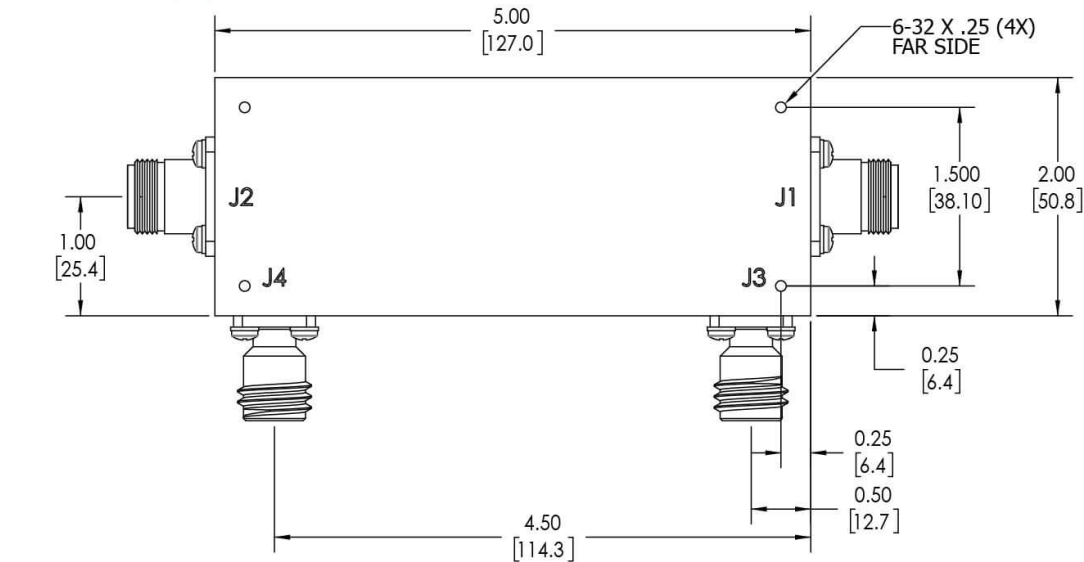
Restriction on use, duplication, or disclosure of proprietary information. This document contains proprietary information which is the sole property of

Werlatone, Inc.

Werlatone, Inc. 17 Jon Barrett Road Patterson, NY 12563 T:(845)278-2220 F:(845)278-3440 sales@werlatone.com www.werlatone.com

**RESTRICTION ON USE, DUPLICATION OR DISCLOSURE OF PROPRIETARY INFORMATION**

This document contains proprietary information which is the sole property of Werlatone, Inc.



REVISION HISTORY

| REV. | REVISION RECORD | DATE      | APPROVED |
|------|-----------------|-----------|----------|
| C    | ECN 3567        | 10/5/2004 | JE       |
| D    | ECN 4139        | 1/15/2007 | JE       |
| E    | ECN 9696        | 5/15/2019 | RB       |

**NOTES: UNLESS OTHERWISE SPECIFIED**

- MATERIAL: ALUMINUM 6061-T6**
- FINISH: CHEM FILM PER MIL-DTL-5541F TYPE I CLASS 3 (YELLOW IRIDITE)**
- CONNECTORS:**  
**J1-J4: N FEMALE**  
**J1-INPUT; J2-OUTPUT**  
**J3-FWD; J4-REV**

|   |         |             |                        |  |
|---|---------|-------------|------------------------|--|
| UNLESS OTHERWISE SPECIFIED                |         | DWN         | DATE                   | 17 Jon Barrett Rd<br>Patterson, NY 12563 |
| INTERPRET DRAWING IAW MIL-STD-100         | SD      | 5/14/2019   |                        |  |
| DIMENSIONS PER ASME Y14.5M-2009           | CHK     | DATE        |                        |  |
| PARENTHESES INFO FOR REF ONLY             | CS      | 5/14/2019   |                        |  |
| DIMENSIONS ARE IN INCHES                  | ENGR    | DATE        |                        |  |
| DIMENSIONAL LINES APPLY BEFORE PROCESSES  | INFR    | DATE        |                        |  |
| TOLERANCES:                               | QA      | DATE        |                        |  |
| ANGLES = 2°                               | RLSE    | DATE        |                        |  |
| 3 PL ± .005 [13]                          |         |             |                        |  |
| 2 PL ± .015 [38]                          |         |             |                        |  |
| REMOVE ALL BURRS AND SHARP EDGES R.01 MAX |         |             |                        |  |
| CONCENTRICITY MACHINED DIA: .002 FIM      |         |             |                        |  |
| MACHINE TOOL MISMATCH .003 MAX            |         |             |                        |  |
| NEXT ASSY                                 | USED ON | APPLICATION | THIRD ANGLE PROJECTION | SCALE 1:1                                |
|   |         |             |                        | SIZE CAGE CODE DWG NO                    |
|   |         |             |                        | B 20676-500                              |
|   |         |             |                        | REV E                                    |
|   |         |             |                        | SHEET 1 OF 1                             |

Restriction on use, duplication, or disclosure of proprietary information. This document contains proprietary information which is the sole property of Werlatone, Inc.  
 Werlatone, Inc. 17 Jon Barrett Road Patterson, NY 12563 T:(845)278-2220 F:(845)278-3440 sales@werlatone.com www.werlatone.com