


PRODUCT DATA SHEET
C1449

4-Port Dual Directional Coupler employs two, 3-Port Uni-Directional Couplers, internally connected, in tandem, providing measurement of both forward and reverse power. Ideal for simultaneously monitoring a system's forward and reverse power and for reflectometer measurements. Unlike the Bi-Directional Coupler, the directivity of the Dual Directional Coupler is unaffected by the loads on the coupled ports.

Features:

High Power Wide Bandwidths Small Size Flat Coupling Custom Designs Available

Electrical Specifications:

Frequency: 1 - 100 MHz
 Power: 10,000 W CW
 Coupling: 70 ± 1.0 dB Max.
 Insertion Loss: 0.05 dB Max.
 Flatness: ± 0.75 dB Max.
 VSWR (ML): 1.10:1 Max.
 Directivity: 20 dB Min.

Mechanical Specifications:

Type: Connectorized
 Material: Aluminum 6061-T6
 Surface Finish: Chem. Film Per MIL-DTL-5541F
 Type I Class 3 (Yellow Iridite)
 RoHS Compliant Available
 Operating Temperature: -55°C to +75°C
 Storage Temperature: -60°C to +85°C
 Humidity: 95% Non-Condensing
 Size: 6.0 x 3.0 x 2.24"

Connector Configurations:

Model	Input (J1)	Output (J2)	Fwd (J3)	Rev (J4)
C1449-20	7/16 Female	7/16 Female	N Female	N Female
C1449-22	7/16 Female	7/16 Female	SMA	SMA
C1449-23	7/16 Female	7/16 Female	BNC	BNC
C1449-30	LC Female	LC Female	N Female	N Female
C1449-33	LC Female	LC Female	BNC	BNC
C1449-63	HN Female	HN Female	SMA	SMA
C1449-64	HN Female	HN Female	BNC	BNC
C1449-503	SQS Female	SQS Female	BNC	BNC
C1449-728	7/16 Male	7/16 Female	SMA	SMA
C1449-754	HN Female	HN Male	SMA	SMA
C1449-QC-2	QC Block	QC Block	SMA	SMA

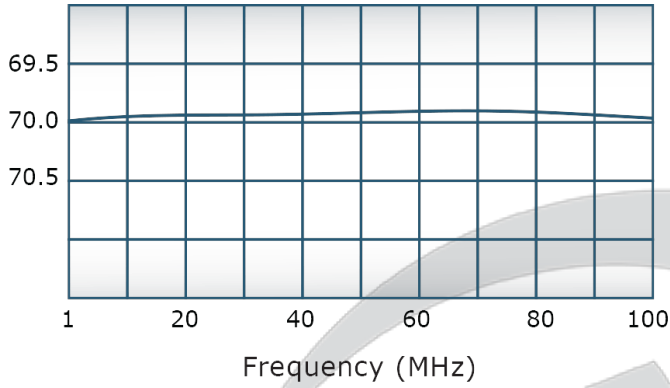


PRODUCT DATA SHEET

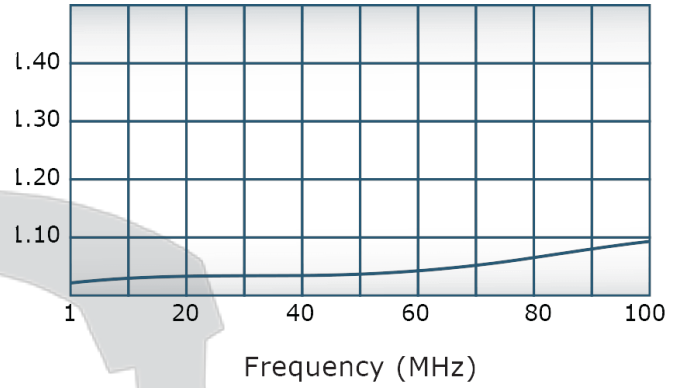
C1449

Performance Data (Specifications subject to change without notice):

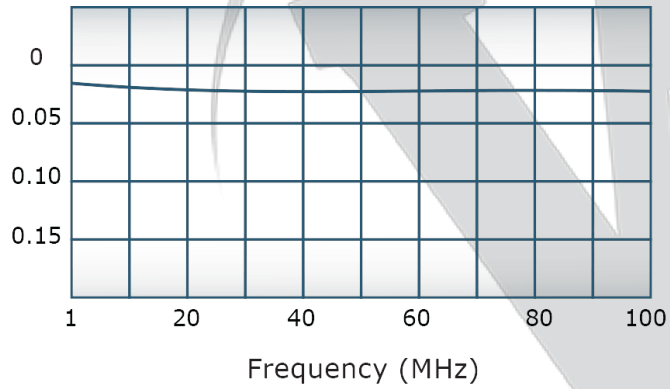
Coupling:



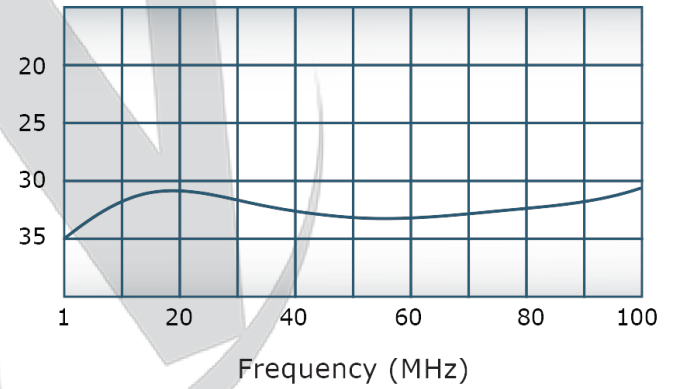
VSWR:



Insertion Loss:



Directivity:



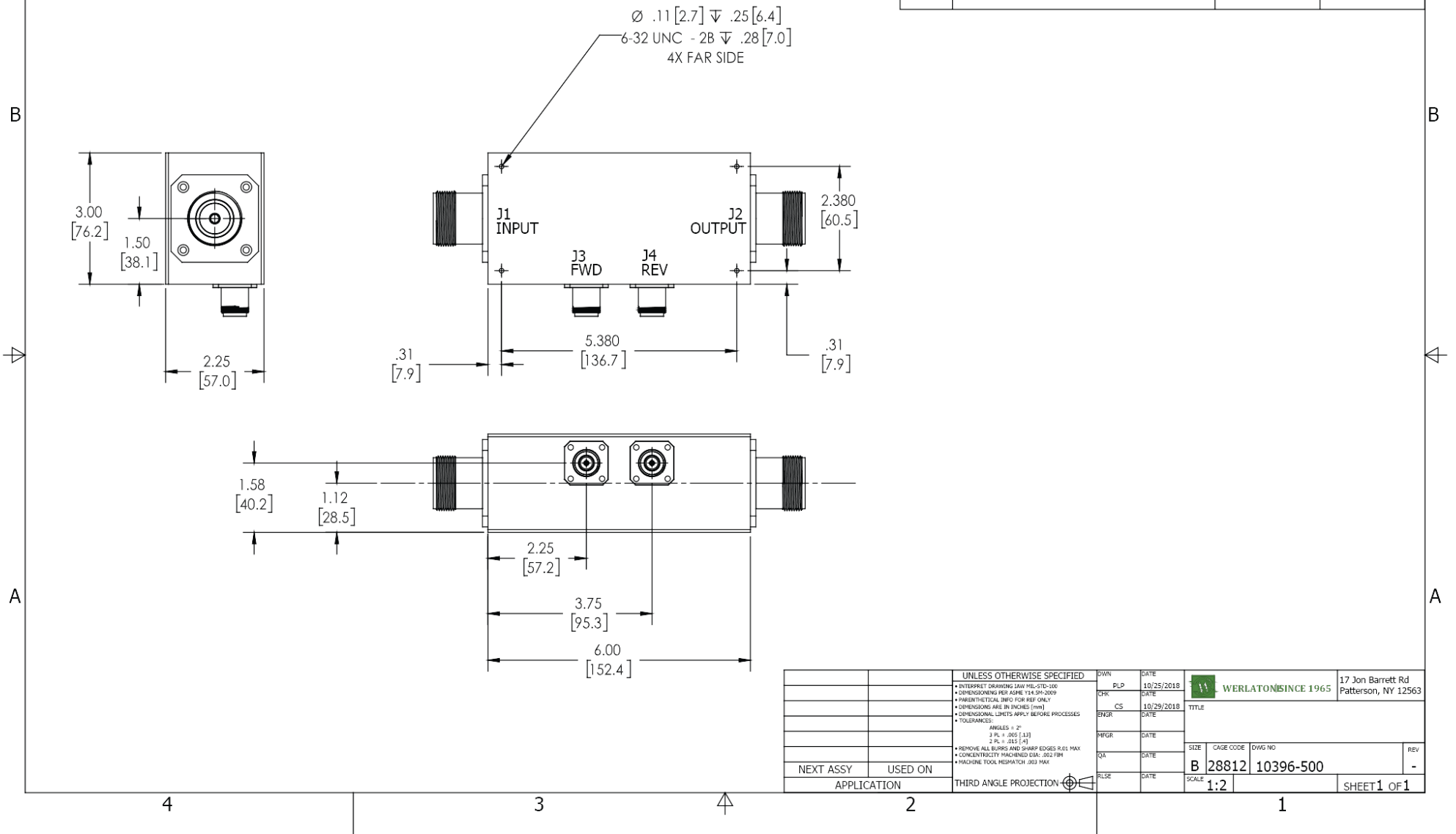
Restriction on use, duplication, or disclosure of proprietary information. This document contains proprietary information which is the sole property of

Werlatone, Inc.

Werlatone, Inc. 17 Jon Barrett Road Patterson, NY 12563 T:(845)278-2220 F:(845)278-3440 sales@werlatone.com www.werlatone.com

RESTRICTION ON USE, DUPLICATION OR DISCLOSURE OF PROPRIETARY INFORMATION
 This document contains proprietary information which is the sole property of Werlatone, Inc.

REVISION HISTORY			
REV.	REVISION RECORD	DATE	APPROVED
-	INITIAL RELEASE	10/29/2018	CS



UNLESS OTHERWISE SPECIFIED	OWN	DATE	PLP	10/25/2018	17 Jon Barrett Rd Patterson, NY 12563
• INTERPRET DRAWING JAW MIL-STD-100	CHK	DATE	CS	10/29/2018	TITLE
• DIMENSIONING PER ASME Y14.3M-2009	ENGR	DATE	CS	10/29/2018	SIZE CASE CODE DWG NO
• PRESENT THE TOTAL DIMS FOR REF ONLY	MFRGR	DATE	B	28812	10396-500
• DIMENSIONS ARE IN INCHES (mm)	QA	DATE	SCALE	1:2	REV
• DIMENSIONAL LIMITS APPLY BEFORE PROCESSES	RLSE	DATE			-
• TOLERANCES:					SHEET 1 OF 1
ANGLES: ± 2°					
2 PL ± .005 (1.3)					
2 PL ± .015 (4)					
• REMOVE ALL BURRS AND SHARP EDGES R.02 MAX					
• CONCENTRICITY MACHINED DIA: .002 FIM					
• MACHINE TOOL REPAIR/CH .003 MAX					
NEXT ASSY	USED ON	APPLICATION	THIRD ANGLE PROJECTION		

Restriction on use, duplication, or disclosure of proprietary information. This document contains proprietary information which is the sole property of Werlatone, Inc.
 Werlatone, Inc. 17 Jon Barrett Road Patterson, NY 12563 T:(845)278-2220 F:(845)278-3440 sales@werlatone.com www.werlatone.com