



PRODUCT DATA SHEET

WPM11714

Instantaneous & Simultaneous

- Local and/or Remote Monitoring
- Forward Power Reading/Monitoring (Watts or dBm)
- Reverse Power Reading/Monitoring (Watts or dBm)
- VSWR Readings (Watts, Return Loss, Rho)

VSWR Alarm

- Customer can set up audio/visual alarm via relay contacts.
- Signal sent to closed loop.

Temperature Monitoring (with alarm)

- One sensor, internal measurement, within Power Meter.
- One sensor, external measurement, to be placed by customer.

General Purpose Inputs (6 ea) Multiple Use

- Track switch closures (assign to interlock group).
- Trigger alarm relay (sends email alert).
- RF presence status/alarm (safety feature).
- Alarm, activated switch.

Accessories:

- Single Channel and Multi-Channel Displays
- RF Digital Dashboard Spreadsheet Software, (Simultaneously Monitor Outputs of 30+ Power Meters)
- PC Based Graphical User Interface Windows XP/7/8/10 Compatible

Electrical Specifications:

Frequency: 2 - 45 MHz
Power: 25,000 W CW

Connector Configurations:

Model	Input(J1)	Output(J2)
WPM11714-93	3 1/8" EIA	3 1/8" EIA

Accuracy:

- $\pm 2\%$ to Customer Calibration Standard, at preselected frequencies.
- $\pm 5\%$ over a Multi-Octave Bandwidth
- Werlatone Calibration Traceable to (NIST) National Institute of Standards and Technology

Power:

- AC Power Adapter (100/240 50-60 Hertz V AC)
- POE (Passive Over Ethernet, Optional POE Injector Kit Available)
- Via RS485 (Via Single Channel or Multi-Channel Displays)

Interface (Via):

- TCP/IP - SNMP and Browser Interface via Local Area Network
- RS232, Serial
- RS485 - Form Addressable Serial Network
- User ID and Password Protected for Access and Control
- Multiple units can be Networked and Simultaneously Monitored On-Site or Remotely (TCP/IP/SNMP/Serial)

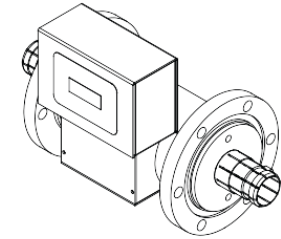
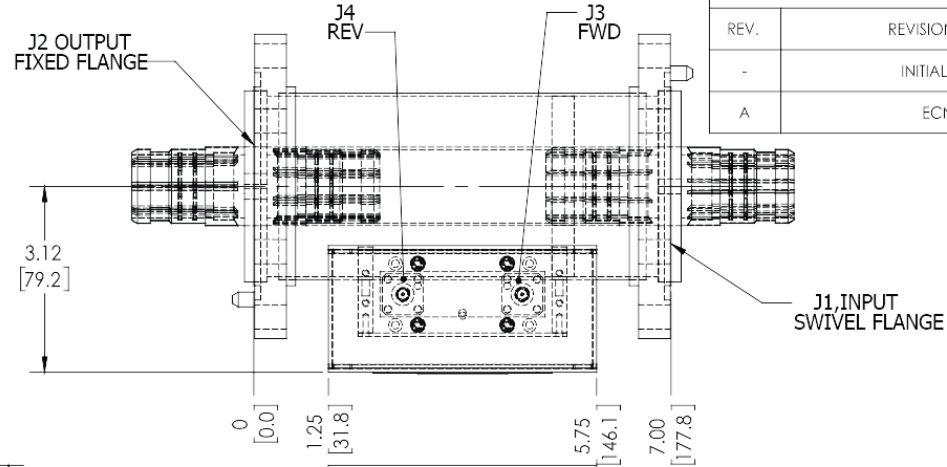
RoHS Compliant Design Available
Custom Connector Configurations Available

Mechanical Specifications:

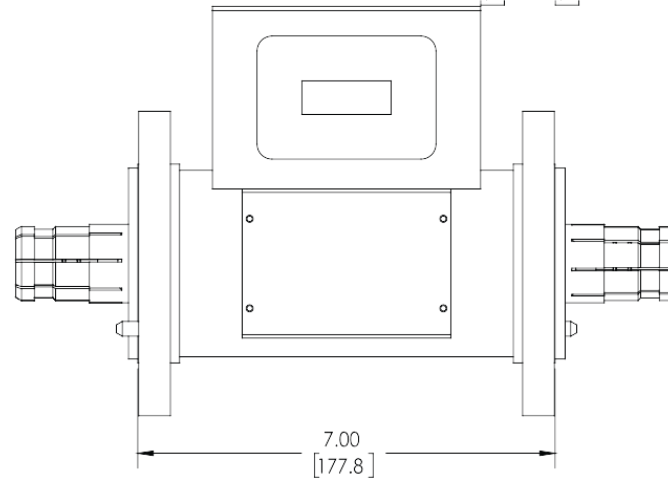
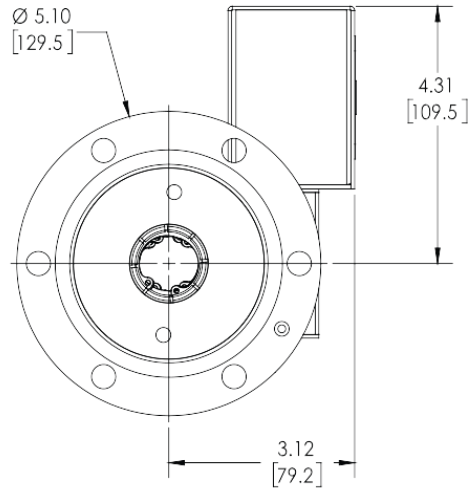
Type: Connectorized
Operating Temperature: -55°C to +75°C
Storage Temperature: -60°C to +85°C

RESTRICTION ON USE, DUPLICATION OR DISCLOSURE OF PROPRIETARY INFORMATION
 This document contains proprietary information which is the sole property of Werlatone, Inc.

REVISION HISTORY			
REV.	REVISION RECORD	DATE	APPROVED
-	INITIAL RELEASE	7/24/2015	CS
A	ECN 9654	9/7/2018	CS



VIEW FOR REFERENCE ONLY



- NOTES: UNLESS OTHERWISE SPECIFIED**
- MAT'L: CUSTOM 3 1/8 EIA TRANSMISSION LINE SECTION WITH CAPTIVATED MAINLINE**
 - CONNECTORS: J1- J2: 3 1/8 (FEMALE)
J3- J4: SMA (FEMALE)**
 - DEBURR AND BREAK ALL SHARP EDGES**

UNLESS OTHERWISE SPECIFIED		DWN	PLP	DATE	7/24/2015	WERLATONE SINCE 1965 17 Jon Barrett Rd Patterson, NY 12563			
• INTERPRET DRAWING (AWW PML 510-100) • DIMENSIONING PER ASME Y14.5M-2009 • PARENTHETICAL DIMO FOR REF ONLY • DIMENSIONS ARE IN INCHES (IPR) • DIMENSIONAL LIMITS APPLY BEFORE PROCESSES • TOLERANCES: - ANGLES ± 2° - 3 PL. ± .005 (1:1) - 2 PL. ± .015 (1:1) • REMOVE ALL BURRS AND CHAMP EDGES 0.01 MAX • CONCENTRICITY MACHINED DIA. .002 FIM • MACHINE TOOL FINISH: .003 MAX		CHK	CS	DATE			TITLE	OUTLINE	
NEXT ASSY		ENGR		DATE		SIZE	CAGE CODE	DWG NO	REV
WPM11514		RFGR		DATE		B	28812	21340-501	A
USED ON		QA		DATE		SCALE			
APPLICATION		RLSE		DATE		1:4			SHEET 1 OF 1

Restriction on use, duplication, or disclosure of proprietary information. This document contains proprietary information which is the sole property of Werlatone, Inc.
 Werlatone, Inc. 17 Jon Barrett Road Patterson, NY 12563 T:(845)278-2220 F:(845)278-3440 sales@werlatone.com www.werlatone.com