



PRODUCT DATA SHEET

WPM11373

Instantaneous & Simultaneous

- Local and/or Remote Monitoring
- Forward Power Reading/Monitoring (Watts or dBm)
- Reverse Power Reading/Monitoring (Watts or dBm)
- VSWR Readings (Watts, Return Loss, Rho)

VSWR Alarm

- Customer can set up audio/visual alarm via relay contacts.
- Signal sent to closed loop.

Temperature Monitoring (with alarm)

- One sensor, internal measurement, within Power Meter.
- One sensor, external measurement, to be placed by customer.

General Purpose Inputs (6 ea) Multiple Use

- Track switch closures (assign to interlock group).
- Trigger alarm relay (sends email alert).
- RF presence status/alarm (safety feature).
- Alarm, activated switch.

Accessories:

- Single Channel and Multi-Channel Displays
- RF Digital Dashboard Spreadsheet Software, (Simultaneously Monitor Outputs of 30+ Power Meters)
- PC Based Graphical User Interface Windows XP/7/8/10 Compatible

Electrical Specifications:

Frequency: 2 - 50 MHz
 Power: 5,000 W CW

Connector Configurations:

Model	Input(J1)	Output(J2)
WPM11373-22	7/16 Female	7/16 Female
WPM11373-32	LC Female	LC Female
WPM11373-QC-2	QC Block	QC Block

Accuracy:

- $\pm 2\%$ to Customer Calibration Standard, at preselected frequencies.
- $\pm 5\%$ over a Multi-Octave Bandwidth
- Werlatone Calibration Traceable to (NIST) National Institute of Standards and Technology

Power:

- AC Power Adapter (100/240 50-60 Hertz V AC)
- POE (Passive Over Ethernet, Optional POE Injector Kit Available)
- Via RS485 (Via Single Channel or Multi-Channel Displays)

Interface (Via):

- TCP/IP - SNMP and Browser Interface via Local Area Network
- RS232, Serial
- RS485 - Form Addressable Serial Network
- User ID and Password Protected for Access and Control
- Multiple units can be Networked and Simultaneously Monitored On-Site or Remotely (TCP/IP/SNMP/Serial)

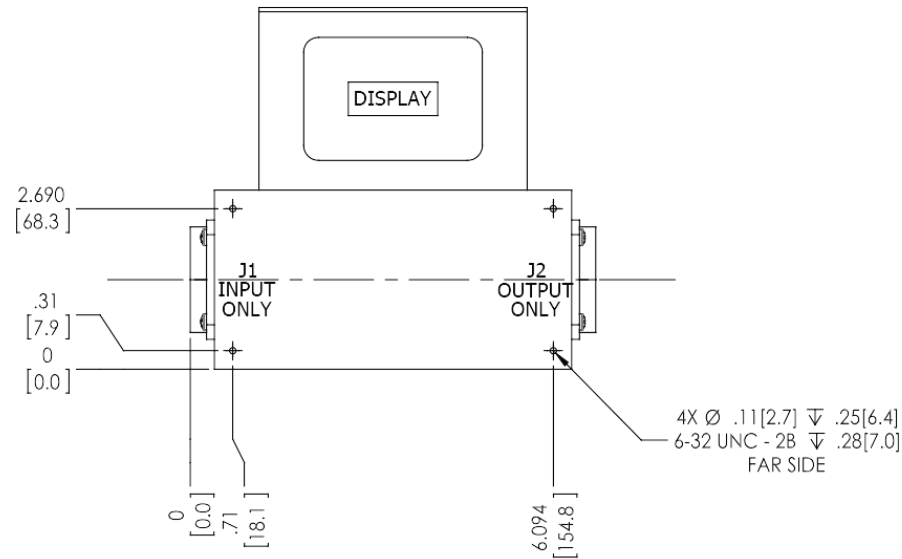
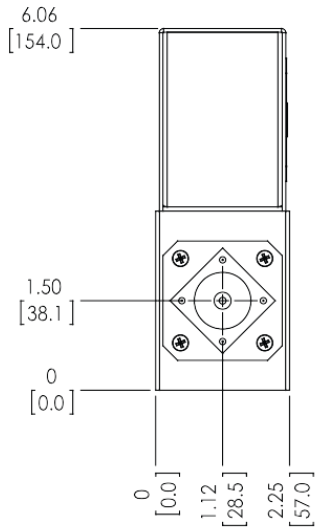
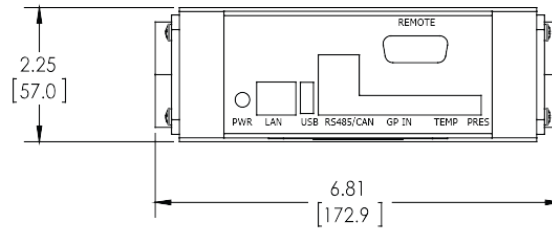
RoHS Compliant Design Available
 Custom Connector Configurations Available

Mechanical Specifications:

Type: Connectorized
 Operating Temperature: -55°C to +75°C
 Storage Temperature: -60°C to +85°C

RESTRICTION ON USE, DUPLICATION OR DISCLOSURE OF PROPRIETARY INFORMATION
 This document contains proprietary information which is the sole property of Werlatone, Inc.

REVISION HISTORY			
REV.	REVISION RECORD	DATE	APPROVED
-	INITIAL RELEASE	2/12/2018	CS



UNLESS OTHERWISE SPECIFIED		DWN	PLP	DATE	2/9/2018	WERLATONE SINCE 1965 17 Jon Barrett Rd Patterson, NY 12563
* INTERPRET DRAWING IN ACCORDANCE WITH ASME Y14.5-2009 * DIMENSIONS ARE IN INCHES (MM) * DIMENSIONAL LIMITS APPLY BEFORE PROCESSES * TOLERANCES: ANGLES ± 2° 3 PL ± .005 (13) 2 PL ± .015 (4) * REMOVE ALL BURRS AND SHARP EDGES 0.01 MAX * CONCENTRICITY MACHINED DIA. 0.02 FIM * MACHINE TOOL INDICATOR 0.002 MAX		CHK	CS	DATE	2/9/2018	
NEXT ASSY USED ON		ENGR		DATE		TITLE
APPLICATION		INFR		DATE		OUTLINE
THIRD ANGLE PROJECTION		QA		DATE		SIZE
		RELSE		DATE		CAGE CODE
						DWG NO
						REV
						B 28812 21583-500
						SCALE
						1:2
						SHEET 1 OF 1

Restriction on use, duplication, or disclosure of proprietary information. This document contains proprietary information which is the sole property of Werlatone, Inc.
 Werlatone, Inc. 17 Jon Barrett Road Patterson, NY 12563 T:(845)278-2220 F:(845)278-3440 sales@werlatone.com www.werlatone.com