



PRODUCT DATA SHEET

WPM11355

Instantaneous & Simultaneous

- Local and/or Remote Monitoring
- Forward Power Reading/Monitoring (Watts or dBm)
- Reverse Power Reading/Monitoring (Watts or dBm)
- VSWR Readings (Watts, Return Loss, Rho)

VSWR Alarm

- Customer can set up audio/visual alarm via relay contacts.
- Signal sent to closed loop.

Temperature Monitoring (with alarm)

- One sensor, internal measurement, within Power Meter.
- One sensor, external measurement, to be placed by customer.

General Purpose Inputs (6 ea) Multiple Use

- Track switch closures (assign to interlock group).
- Trigger alarm relay (sends email alert).
- RF presence status/alarm (safety feature).
- Alarm, activated switch.

Accessories:

- Single Channel and Multi-Channel Displays
- RF Digital Dashboard Spreadsheet Software, (Simultaneously Monitor Outputs of 30+ Power Meters)
- PC Based Graphical User Interface Windows XP/7/8/10 Compatible

Electrical Specifications:

Frequency: 1.5 - 32 MHz
 Power: 50,000 W CW

Connector Configurations:

Model	Input(J1)	Output(J2)
WPM11355-93	3 1/8" EIA	3 1/8" EIA

Accuracy:

- ± 2% to Customer Calibration Standard, at preselected frequencies.
- ± 5% over a Multi-Octave Bandwidth
- Werlatone Calibration Traceable to (NIST) National Institute of Standards and Technology

Power:

- AC Power Adapter (100/240 50-60 Hertz V AC)
- POE (Passive Over Ethernet, Optional POE Injector Kit Available)
- Via RS485 (Via Single Channel or Multi-Channel Displays)

Interface (Via):

- TCP/IP - SNMP and Browser Interface via Local Area Network
- RS232, Serial
- RS485 - Form Addressable Serial Network
- User ID and Password Protected for Access and Control
- Multiple units can be Networked and Simultaneously Monitored On-Site or Remotely (TCP/IP/SNMP/Serial)

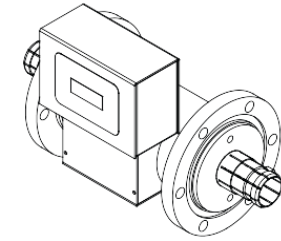
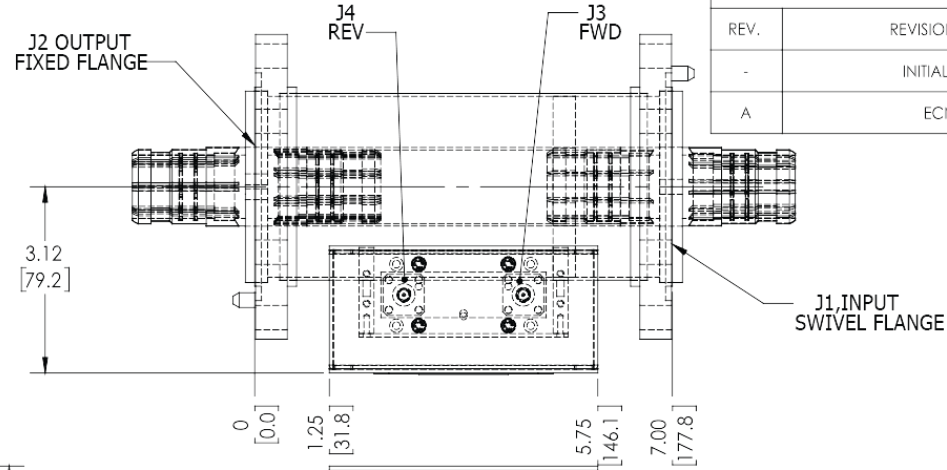
RoHS Compliant Design Available
 Custom Connector Configurations Available

Mechanical Specifications:

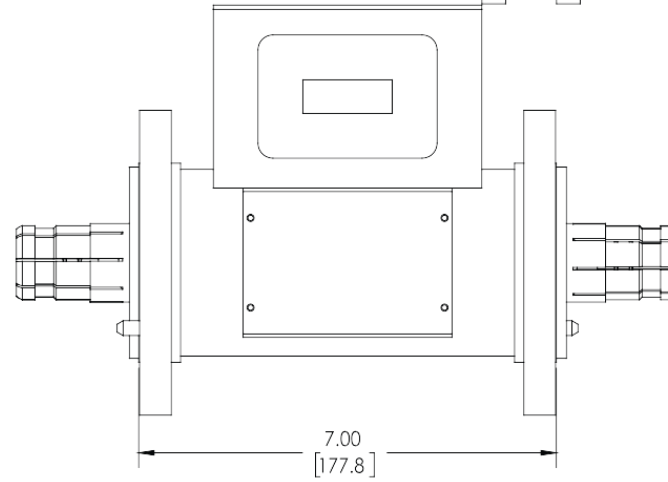
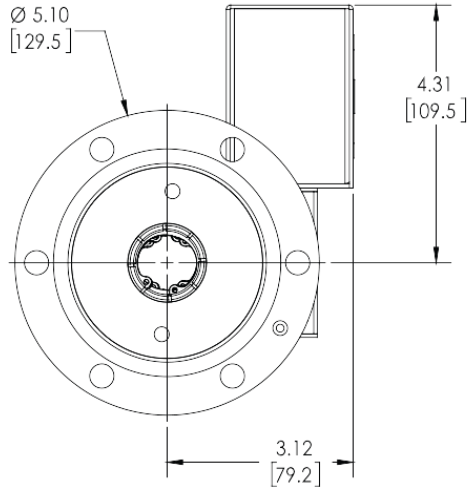
Type: Connectorized
 Operating Temperature: -55°C to +75°C
 Storage Temperature: -60°C to +85°C

RESTRICTION ON USE, DUPLICATION OR DISCLOSURE OF PROPRIETARY INFORMATION
 This document contains proprietary information which is the sole property of Werlatone, Inc.

REVISION HISTORY			
REV.	REVISION RECORD	DATE	APPROVED
-	INITIAL RELEASE	7/24/2015	CS
A	ECN 9654	9/7/2018	CS



VIEW FOR REFERENCE ONLY



UNLESS OTHERWISE SPECIFIED		OWN	DATE	WERLATONE SINCE 1965	17 Jon Barrett Rd Patterson, NY 12563
• INTERPRET DRAWING IN ACCORDANCE WITH ISO 100 • DIMENSIONING PER ASME Y14.5M 2009 • PREFERENTIAL DIMS FOR REF ONLY • DIMENSIONS ARE IN INCHES (IN) • DIMENSIONAL LIMITS APPLY BEFORE PROCESSES • TOLERANCES: ANGLE ± 2° 3 PL ± .001 (L1) 2 PL ± .015 (L) • REMOVE ALL RIBS AND SHARP EDGES R.63 MAX • CONCENTRICITY FINISHED DIA. AND FIM • FINISH: TOOL FINISH/0.001 MAX		PLP	7/24/2015		
NEXT ASSY		CHK	DATE	TITLE	REV
WPM11514		ENGR	DATE	SIZE	A
USED ON		MFG	DATE	CAGE CODE	
APPLICATION		QA	DATE	DWG NO	
THIRD ANGLE PROJECTION		REL	DATE	28812	21340-501
		SCALE		1:4	SHEET 1 OF 1

Restriction on use, duplication, or disclosure of proprietary information. This document contains proprietary information which is the sole property of Werlatone, Inc.
 Werlatone, Inc. 17 Jon Barrett Road Patterson, NY 12563 T:(845)278-2220 F:(845)278-3440 sales@werlatone.com www.werlatone.com