



PRODUCT DATA SHEET

WPM11326

Instantaneous & Simultaneous

- Local and/or Remote Monitoring
- Forward Power Reading/Monitoring (Watts or dBm)
- Reverse Power Reading/Monitoring (Watts or dBm)
- VSWR Readings (Watts, Return Loss, Rho)

VSWR Alarm

- Customer can set up audio/visual alarm via relay contacts.
- Signal sent to closed loop.

Temperature Monitoring (with alarm)

- One sensor, internal measurement, within Power Meter.
- One sensor, external measurement, to be placed by customer.

General Purpose Inputs (6 ea) Multiple Use

- Track switch closures (assign to interlock group).
- Trigger alarm relay (sends email alert).
- RF presence status/alarm (safety feature).
- Alarm, activated switch.

Accessories:

- Single Channel and Multi-Channel Displays
- RF Digital Dashboard Spreadsheet Software, (Simultaneously Monitor Outputs of 30+ Power Meters)
- PC Based Graphical User Interface Windows XP/7/8/10 Compatible

Electrical Specifications:

Frequency: 2 - 50 MHz
 Power: 10,000 W CW

Connector Configurations:

Model	Input(J1)	Output(J2)
WPM11326-83	1 5/8" EIA	1 5/8" EIA

Accuracy:

- ± 2% to Customer Calibration Standard, at preselected frequencies.
- ± 5% over a Multi-Octave Bandwidth
- Werlatone Calibration Traceable to (NIST) National Institute of Standards and Technology

Power:

- AC Power Adapter (100/240 50-60 Hertz V AC)
- POE (Passive Over Ethernet, Optional POE Injector Kit Available)
- Via RS485 (Via Single Channel or Multi-Channel Displays)

Interface (Via):

- TCP/IP - SNMP and Browser Interface via Local Area Network
- RS232, Serial
- RS485 - Form Addressable Serial Network
- User ID and Password Protected for Access and Control
- Multiple units can be Networked and Simultaneously Monitored On-Site or Remotely (TCP/IP/SNMP/Serial)

RoHS Compliant Design Available
 Custom Connector Configurations Available

Mechanical Specifications:

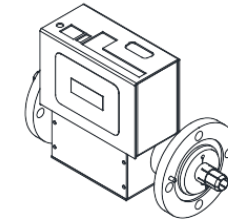
Type: Connectorized
 Operating Temperature: -55°C to +75°C
 Storage Temperature: -60°C to +85°C

RESTRICTION ON USE, DUPLICATION OR DISCLOSURE OF PROPRIETARY INFORMATION
 This document contains proprietary information which is the sole property of Werlatone, Inc.

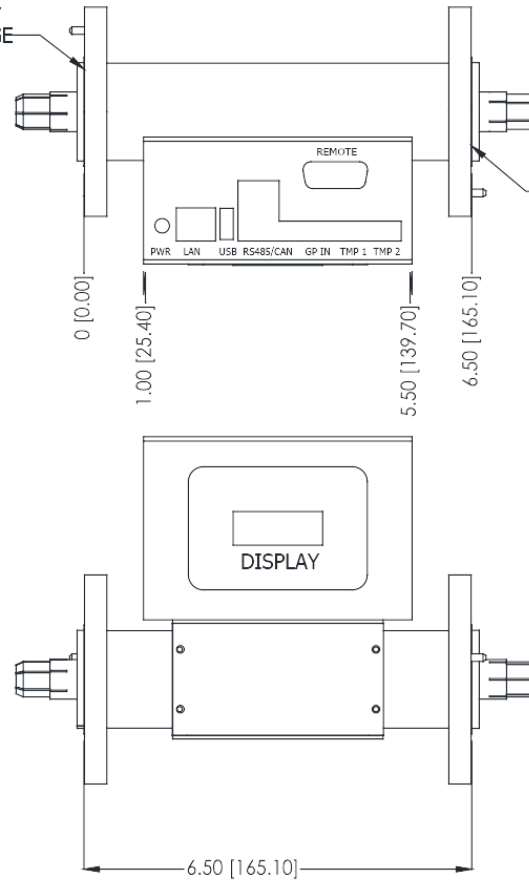
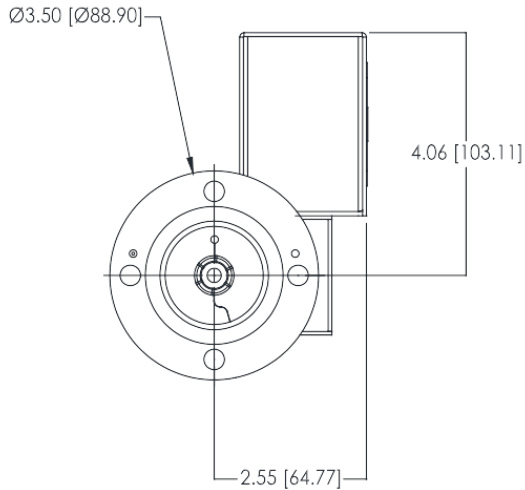
REVISION HISTORY			
REV.	REVISION RECORD	DATE	APPROVED
-	INITIAL RELEASE	7/6/2020	CS
A	ECN 9965	9/29/2020	CS

J1
INPUT ONLY
FIXED FLANGE

J2
OUTPUT ONLY
SWIVEL FLANGE



VIEW FOR REFERENCE ONLY



NOTES: UNLESS OTHERWISE SPECIFIED
1. CONNECTORS: J1-J2 1 5/8 (EIA)

UNLESS OTHERWISE SPECIFIED		OWN	DATE	WERLATONE SINCE 1965 17 Jon Barrett Rd Patterson, NY 12563
<ul style="list-style-type: none"> INTERPRET DRAWING IN ACCORDANCE WITH ISO 15026 CONFORM TO PERMITS PER ASME Y14.3M-2009 PREFERENTIAL DIMS FOR REF ONLY CONVERSIONS ARE IN INCHES (mm) CONVERSIONAL LIMITS APPLY BEFORE PROCESSES TOLERANCES: <ul style="list-style-type: none"> ANGLES ± .2° 2 PL ± .001 (L1) 2 PL ± .015 (L1) REMOVE ALL RISERS AND SHARP EDGES R.01 MAX CONCENTRICITY MACHINED DIA: .000 FDM MACHINE TOOL REPEATACH .003 MAX 		PLP	7/24/2015	
NEXT ASSY		CHK	DATE	TITLE OUTLINE
USED ON		CS	7/6/2020	
APPLICATION		ENGR	DATE	SIZE CAGE CODE DWG NO B 28812 21340-505
THIRD ANGLE PROJECTION		WGR	DATE	
		QA	DATE	SCALE 1:2
		REL	DATE	
				REV A
				SHEET 1 OF 1

Restriction on use, duplication, or disclosure of proprietary information. This document contains proprietary information which is the sole property of Werlatone, Inc.
 Werlatone, Inc. 17 Jon Barrett Road Patterson, NY 12563 T:(845)278-2220 F:(845)278-3440 sales@werlatone.com www.werlatone.com