



PRODUCT DATA SHEET

WPM11071

Instantaneous & Simultaneous

- Local and/or Remote Monitoring
- Forward Power Reading/Monitoring (Watts or dBm)
- Reverse Power Reading/Monitoring (Watts or dBm)
- VSWR Readings (Watts, Return Loss, Rho)

VSWR Alarm

- Customer can set up audio/visual alarm via relay contacts.
- Signal sent to closed loop.

Temperature Monitoring (with alarm)

- One sensor, internal measurement, within Power Meter.
- One sensor, external measurement, to be placed by customer.

General Purpose Inputs (6 ea) Multiple Use

- Track switch closures (assign to interlock group).
- Trigger alarm relay (sends email alert).
- RF presence status/alarm (saftey feature).
- Alarm, activated switch.

Accessories:

- Single Channel and Multi-Channel Displays
- RF Digital Dashboard Spreadsheet Software, (Simultaneously Monitor Outputs of 30+ Power Meters)
- PC Based Graphical User Interface Windows XP/7/8/10 Compatible

Accuracy:

- $\pm 2\%$ to Customer Calibration Standard, at preselected frequencies.
- $\pm 5\%$ over a Multi-Octave Bandwidth
- Werlatone Calibration Traceable to (NIST) National Institute of Standards and Technology

Power:

- AC Power Adapter (100/240 50-60 Hertz V AC)
- POE (Passive Over Ethernet, Optional POE Injector Kit Available)
- Via RS485 (Via Single Channel or Multi-Channel Displays)

Interface (Via):

- TCP/IP - SNMP and Browser Interface via Local Area Network
- RS232, Serial
- RS485 - Form Addressable Serial Network
- User ID and Password Protected for Access and Control
- Multiple units can be Networked and Simultaneously Monitored On-Site or Remotely (TCP/IP/SNMP/Serial)

RoHS Compliant Design Available
 Custom Connector Configurations Available

Electrical Specifications:

Frequency: 1.5 - 32 MHz
 Power: 2,500 W CW

Mechanical Specifications:

Type: Connectorized
 Operating Temperature: -55°C to +75°C
 Storage Temperature: -60°C to +85°C

Connector Configurations:

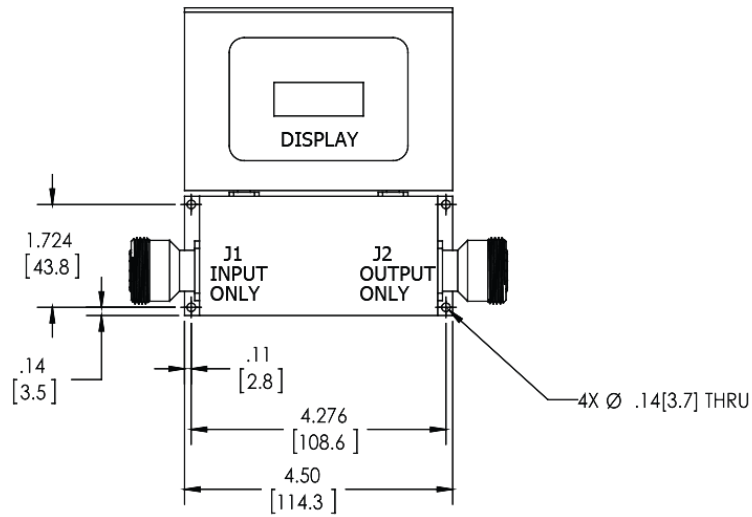
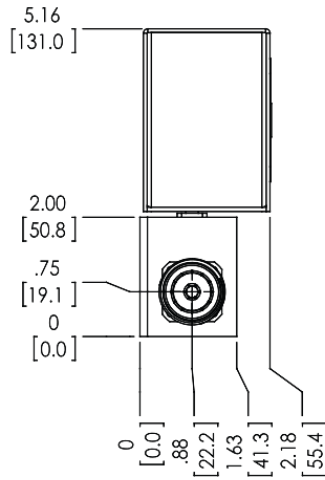
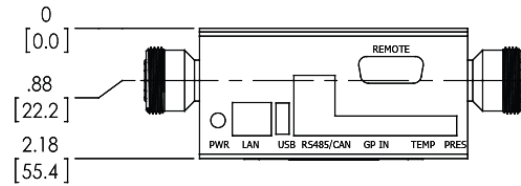
Model	Input(J1)	Output(J2)
WPM11071-22	7/16 Female	7/16 Female

Restriction on use, duplication, or disclosure of proprietary information. This document contains proprietary information which is the sole property of Werlatone, Inc.

Werlatone, Inc. 17 Jon Barrett Road Patterson, NY 12563 T:(845)278-2220 F:(845)278-3440 sales@werlatone.com www.werlatone.com

RESTRICTION ON USE, DUPLICATION OR DISCLOSURE OF PROPRIETARY INFORMATION
 This document contains proprietary information which is the sole property of Werlatone, Inc.

REVISION HISTORY			
REV.	REVISION RECORD	DATE	APPROVED
	PRE-RELEASE		



PRELIMINARY DWG. SPECIFICATIONS MAY CHANGE PRIOR TO DWG RELEASE.

UNLESS OTHERWISE SPECIFIED		DWN	DATE	WERLATONE SINCE 1965 17 Jon Barrett Rd Patterson, NY 12563
* INTERPRET DRAWING UNW PLD-STD-100 * DIMENSIONING FOR ASME Y14.5M-2009 * PARENTHERTICAL INFO FOR REF ONLY * DIMENSIONS ARE IN INCHES (mm) * DIMENSIONAL LIMITS APPLY BEFORE PROCESSES * TOLERANCES: ANGLES ± 2° 3 PL ± .005 (13) 2 PL ± .015 (4) * REMOVE ALL BURRS AND CHAMP EDGES 0.01 MAX * CONCENTRICITY MACHINED DIA: .002 FIM * MACHINE TOOL VIBRATION: .003 MAX		PLP	3/28/2017	
WMP11071-22		CHK	DATE	TITLE
NEXT ASSY USED ON		ENGR	DATE	OUTLINE
APPLICATION		RFGR	DATE	SIZE CAGE CODE DWG NO
		QA	DATE	B 28812 21511-502
		RLSE	DATE	REV
				P0
				SCALE 1:2
				SHEET 1 OF 1

Restriction on use, duplication, or disclosure of proprietary information. This document contains proprietary information which is the sole property of Werlatone, Inc.
 Werlatone, Inc. 17 Jon Barrett Road Patterson, NY 12563 T:(845)278-2220 F:(845)278-3440 sales@werlatone.com www.werlatone.com