



PRODUCT DATA SHEET

WPM10800

Instantaneous & Simultaneous • Local and/or Remote Monitoring • Forward Power Reading/Monitoring (Watts or dBm) • Reverse Power Reading/Monitoring (Watts or dBm) • VSWR Readings (Watts, Return Loss, Rho) **VSWR Alarm** • Customer can set up audio/visual alarm via relay contacts. • Signal sent to closed loop. **Temperature Monitoring (with alarm)** • One sensor, internal measurement, within Power Meter. • One sensor, external measurement, to be placed by customer. **General Purpose Inputs (6 ea)** **Multiple Use** • Track switch closures (assign to interlock group). • Trigger alarm relay (sends email alert). • RF presence status/alarm (saftey feature). • Alarm, activated switch. **Accessories:** • Single Channel and Multi-Channel Displays • RF Digital Dashboard Spreadsheet Software, (Simultaneously Monitor Outputs of 30+ Power Meters • PC Based Graphical User Interface Windows XP/7/8/10 Compatible

Accuracy: • $\pm 2\%$ to Customer Calibration Standard, at preselected frequencies. • $\pm 5\%$ over a Multi-Octave Bandwidth • Werlatone Calibration Traceable to (NIST) National Institute of Standards and Technology **Power:** • AC Power Adapter (100/240 50-60 Hertz V AC) • POE (Passive Over Ethernet, Optional POE Injector Kit Available • Via RS485 (Via Single Channel or Multi-Channel Displays) **Interface (Via):** • TCP/IP - SNMP and Browser Interface via Local Area Network • RS232, Serial • RS485 - Form Addressable Serial Network • User ID and Password Protected for Access and Control • Multiple units can be Networked and Simultaneously Monitored On-Site or Remotely (TCP/IP/SNMP/Serial)

RoHS Compliant Design Available Custom Connector Configurations Available

Electrical Specifications:

Frequency: 20 - 200 MHz
Power: 10,000 W CW

Calibrated to Exact Frequencies:

57.0 MHz 60.0 MHz 63.0 MHz
127.0 MHz

Connector Configurations:

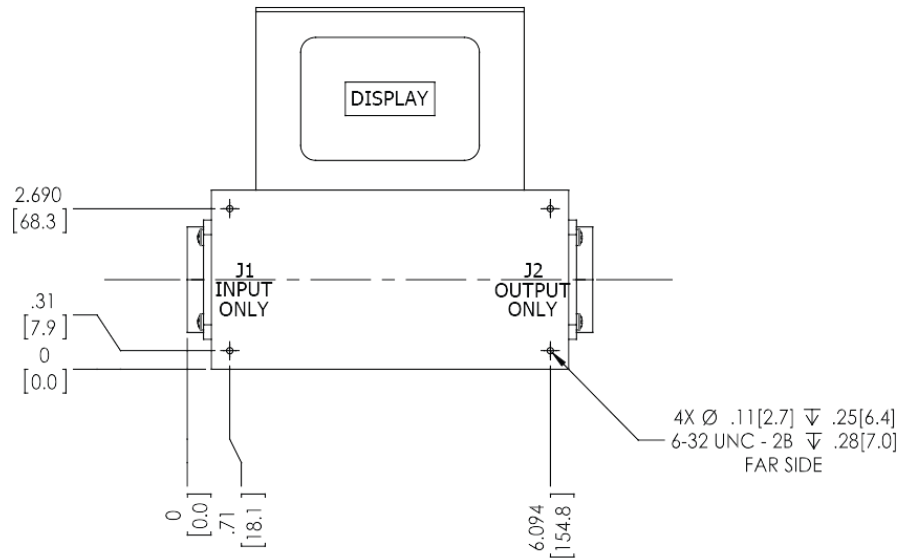
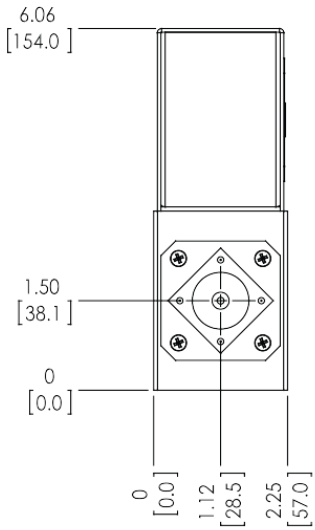
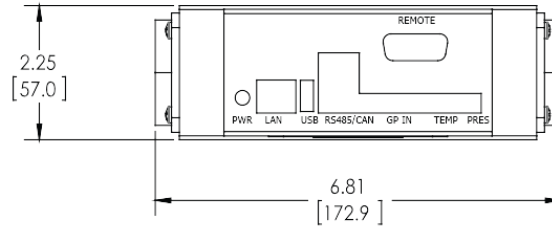
Model	Input(J1)	Output(J2)
WPM10800-502	SQS Female	SQS Female
WPM10800-7502	SQS Male	SQS Female
WPM10800-QC-2	QC Block	QC Block

Mechanical Specifications:

Type: Connectorized
Operating Temperature: -55°C to +75°C
Storage Temperature: -60°C to +85°C

RESTRICTION ON USE, DUPLICATION OR DISCLOSURE OF PROPRIETARY INFORMATION
 This document contains proprietary information which is the sole property of Werlatone, Inc.

REVISION HISTORY			
REV.	REVISION RECORD	DATE	APPROVED
-	INITIAL RELEASE	2/12/2018	CS



UNLESS OTHERWISE SPECIFIED		DWN	PLP	DATE	2/9/2018	WERLATONE SINCE 1965 17 Jon Barrett Rd Patterson, NY 12563	
* INTERPRET DRAWING IN ACCORDANCE WITH ASME Y14.5-2009 * DIMENSIONS ARE IN INCHES (MM) * DIMENSIONAL LIMITS APPLY BEFORE PROCESSES * TOLERANCES: ANGLES ± 2° 3 PL ± .005 (13) 2 PL ± .015 (4) * REMOVE ALL BURRS AND SHARP EDGES 0.01 MAX * CONCENTRICITY MACHINED DIA. 600 F2M * MACHINE TOOL INDICATOR 600 MAX		CHK	CS	DATE	2/9/2018		
WPM11416		ENGR		DATE		TITLE	OUTLINE
NEXT ASSY	USED ON	INFR		DATE		SIZE	CAGE CODE
APPLICATION	THIRD ANGLE PROJECTION	QA		DATE		28812	21583-500
		RELE		DATE		SCALE	1:2
						DWG NO	1
						REV	-
							SHEET 1 OF 1

Restriction on use, duplication, or disclosure of proprietary information. This document contains proprietary information which is the sole property of Werlatone, Inc.
 Werlatone, Inc. 17 Jon Barrett Road Patterson, NY 12563 T:(845)278-2220 F:(845)278-3440 sales@werlatone.com www.werlatone.com