



**PRODUCT DATA SHEET**

**WPM11416**

**Instantaneous & Simultaneous**

- Local and/or Remote Monitoring
- Forward Power Reading/Monitoring (Watts or dBm)
- Reverse Power Reading/Monitoring (Watts or dBm)
- VSWR Readings (Watts, Return Loss, Rho)

**VSWR Alarm**

- Customer can set up audio/visual alarm via relay contacts.
- Signal sent to closed loop.

**Temperature Monitoring (with alarm)**

- One sensor, internal measurement, within Power Meter.
- One sensor, external measurement, to be placed by customer.

**General Purpose Inputs (6 ea) Multiple Use**

- Track switch closures (assign to interlock group).
- Trigger alarm relay (sends email alert).
- RF presence status/alarm (safety feature).
- Alarm, activated switch.

**Accessories:**

- Single Channel and Multi-Channel Displays
- RF Digital Dashboard Spreadsheet Software, (Simultaneously

Monitor Outputs of 30+ Power Meters

- PC Based Graphical User Interface Windows XP/7/8/10 Compatible

**Accuracy:**

- $\pm 2\%$  to Customer Calibration Standard, at preselected frequencies.
- $\pm 5\%$  over a Multi-Octave Bandwidth
- Werlatone Calibration Traceable to (NIST) National Institute of Standards and Technology

**Power:**

- AC Power Adapter (100/240 50-60 Hertz V AC)
- POE (Passive Over Ethernet, Optional POE Injector Kit Available)
- Via RS485 (Via Single Channel or Multi-Channel Displays)

**Interface (Via):**

- TCP/IP - SNMP and Browser Interface via Local Area Network
- RS232, Serial
- RS485 - Form Addressable Serial Network
- User ID and Password Protected for Access and Control
- Multiple units can be Networked and Simultaneously Monitored On-Site or Remotely (TCP/IP/SNMP/Serial)

RoHS Compliant Design Available  
Custom Connector Configurations Available

**Electrical Specifications:**

Frequency: 10 - 300 MHz  
Power: 10,000 W CW

**13.56 MHz Test: Calibration Points**

-5%	Center Frequency	+5%
12.882 MHz	13.56 MHz	14.238 MHz

**60 MHz Test: Calibration Points**

-5%	Center Frequency	+5%
57 MHz	60 MHz	63 MHz

**Mechanical Specifications:**

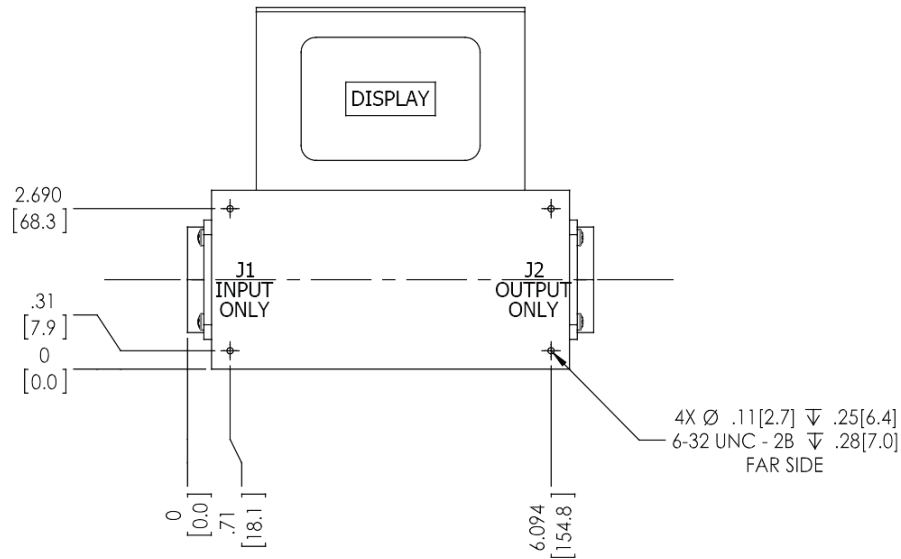
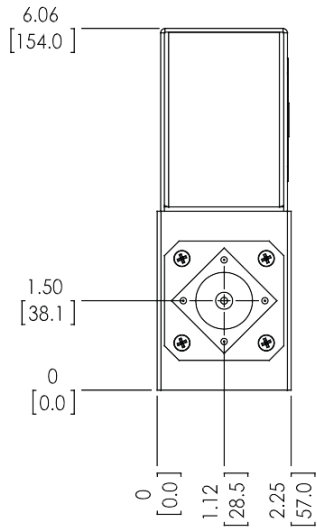
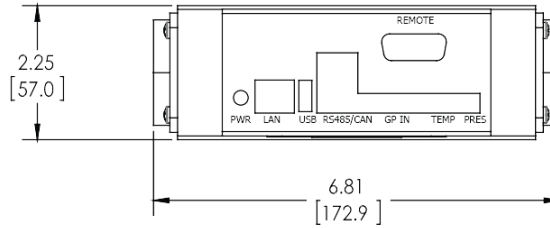
Type: Connectorized  
Operating Temperature: -55°C to +75°C  
Storage Temperature: -60°C to +85°C  
Size: 6.0 x 3.0 x 2.24"

**Connector Configurations:**

Model	Input(J1)	Output(J2)
WPM11416-501	SQS Female	SQS Female
WPM11416-7502	SQS Male	SQS Female
WPM11416-QC-3	QC Block	QC Block

**RESTRICTION ON USE, DUPLICATION OR DISCLOSURE OF PROPRIETARY INFORMATION**  
 This document contains proprietary information which is the sole property of Werlatone, Inc.

REVISION HISTORY			
REV.	REVISION RECORD	DATE	APPROVED
-	INITIAL RELEASE	2/12/2018	CS



UNLESS OTHERWISE SPECIFIED		OWN	DATE	<b>WERLATONE</b> SINCE 1965 17 Jon Barrett Rd Patterson, NY 12563
<ul style="list-style-type: none"> <li>• INTERPRET DRAWING IN ACCORDANCE WITH ASME Y14.5-2009</li> <li>• DIMENSIONS ARE IN INCHES (mm)</li> <li>• DIMENSIONAL UNITS APPLY BEFORE PROCESSES</li> <li>• TOLERANCES:</li> <li>ANGLES ± .2°</li> <li>3 PL ± .005 (.13)</li> <li>2 PL ± .015 (.4)</li> <li>• REMOVE ALL BURRS AND SHARP EDGES 0.01 MAX</li> <li>• CONCENTRICITY MACHINED DIA: .002 FIM</li> <li>• MACHINE TOOL IMPACTION: .003 MAX</li> </ul>		FLP	2/9/2018	
NEXT ASSY USED ON		CHK	DATE	TITLE B 28812 21583-500
APPLICATION		ENGR	2/9/2018	
THIRD ANGLE PROJECTION		PPGR	DATE	SIZE CAGE CODE DWG NO B 28812 21583-500
		QA	DATE	REV
		RLSE	DATE	-
		SCALE		SHEET 1 OF 1
		1:2		

**Restriction on use, duplication, or disclosure of proprietary information.** This document contains proprietary information which is the sole property of Werlatone, Inc.  
 Werlatone, Inc. 17 Jon Barrett Road Patterson, NY 12563 T:(845)278-2220 F:(845)278-3440 sales@werlatone.com www.werlatone.com