


PRODUCT DATA SHEET
D9958

Werlatone® Mismatch Tolerant® High Power Broadband RF Combiners and Dividers will operate into High Load VSWR Conditions, for extended periods, without damage. With extensive experience as a supplier to military platforms worldwide **Werlatone®** designs its High Power Broadband Combiners, Power Dividers, and N-Way Combiners for proper operation in the most stringent operating conditions.

Features:

High Power Wide Bandwidths Small Size High Isolation Custom Designs Available

Electrical Specifications:

Frequency:	410 - 450 MHz
Power:	1250 W CW
Insertion Loss:	0.3 dB Max.
VSWR:	1.35:1 Max.
Phase Balance:	± 4° Max.
Amplitude Balance:	0.2 dB Max.
Isolation:	20 dB Min.

Mechanical Specifications:

Type:	Connectorized
Material:	Aluminum 6061-T6
Surface Finish:	Chem. Film Per MIL-DTL-5541F Type I Class 3 (Yellow Iridite) RoHS Compliant Available
Operating Temperature:	-55°C to +75°C
Storage Temperature:	-60°C to +85°C
Size:	6.0 x 5.0 x 2.25"

Connector Configurations:

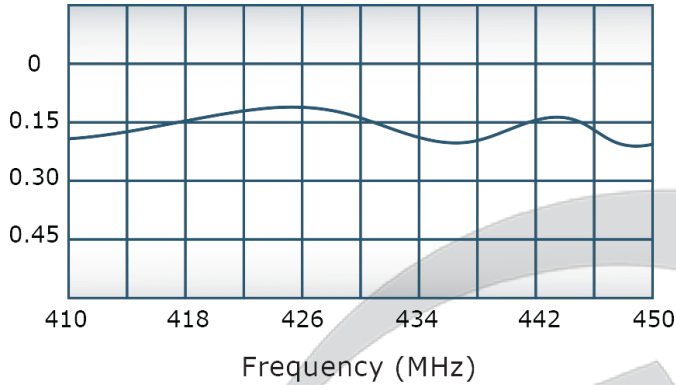
Model	Sum Port (J5)	Input/Output (J1-J4)
D9958-10	N Female	N Female
D9958-20	7/16 Female	N Female

When specified, Werlatone® High Power Combiners and RF Dividers will tolerate full input failures on adjacent port(s). This insures that remaining transmitter(s) may continue to operate until the amplifier system can be properly shut down for maintenance. Choose your specific connector configuration from a list of options. Additional connector configurations for our High Power RF Combiners/Dividers, Non-Coherent Combiners, and N-Way Combiners are available upon request.

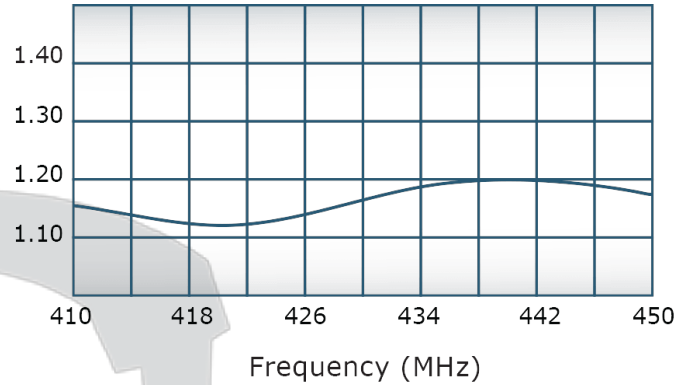


Performance Data (Specifications subject to change without notice):

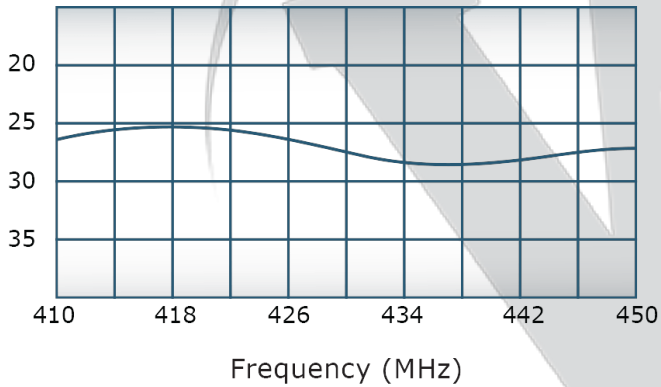
Insertion Loss:



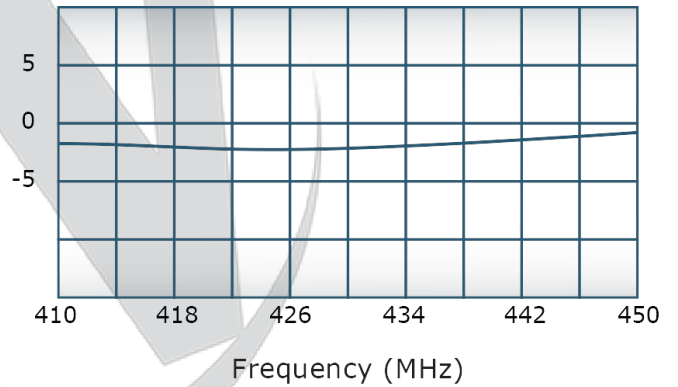
VSWR:



Isolation:



Phase Balance:



Restriction on use, duplication, or disclosure of proprietary information. This document contains proprietary information which is the sole property of

Werlatone, Inc.

Werlatone, Inc. 17 Jon Barrett Road Patterson, NY 12563 T:(845)278-2220 F:(845)278-3440 sales@werlatone.com www.werlatone.com

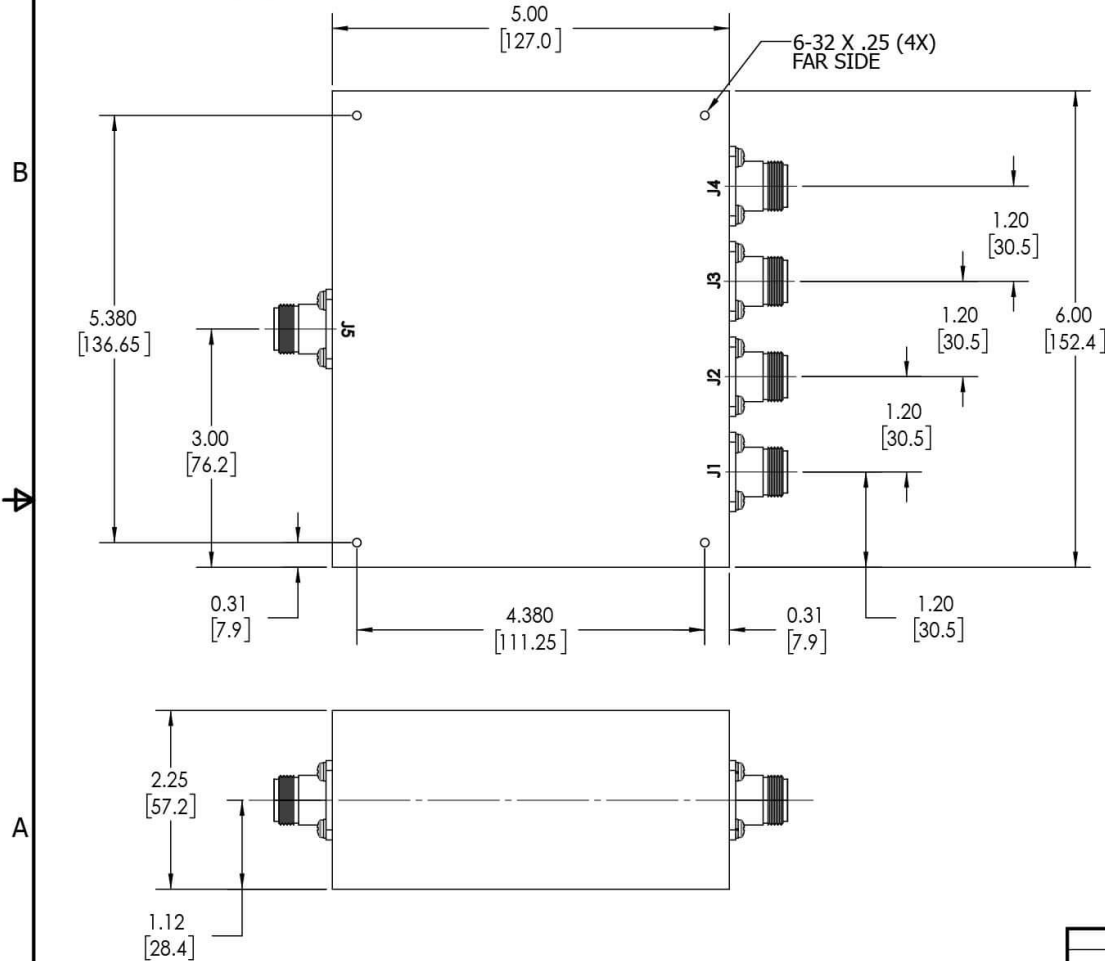
RESTRICTION ON USE, DUPLICATION OR DISCLOSURE OF PROPRIETARY INFORMATION
 This document contains proprietary information which is the sole property of Werlatone, Inc.

REVISION HISTORY			
REV.	REVISION RECORD	DATE	APPROVED
A	ECN 9696	9/10/2019	RB

NOTES: UNLESS OTHERWISE SPECIFIED

- MATERIAL: ALUMINUM 6061-T6**
- FINISH: CHEM FILM PER MIL-DTL-5541F TYPE I CLASS 3 (YELLOW IRIDITE)**
- CONNECTORS:
J1-J5: N FEMALE**

*** MUST BE MOUNTED TO HEATSINK WITH 4 MOUNTING SCREWS. A THERMAL CONDUCTIVE GREASE SHOULD BE USED. UNBALANCED POWER NOT TO EXCEED 200 WATTS AT 60°C BASEPLATE TEMP.**



UNLESS OTHERWISE SPECIFIED		DWN	DATE	WERLATONE SINCE 1965	17 Jon Barrett Rd Patterson, NY 12563
INTERPRET DRAWING IN ACCORDANCE WITH MIL-STD-100		SD	9/10/2019		
DIMENSIONS FOR ASME Y14.5M-2009		CHK	DATE	TITLE	
PARENTHESES FOR REF ONLY		CS	9/10/2019	OUTLINE	
DIMENSIONS ARE IN INCHES		ENGR	DATE	SIZE	CAGE CODE
DIMENSIONAL LINES APPLY BEFORE PROCESSES		INFR	DATE	B	10422-500
TOLERANCES:		QA	DATE	DWG NO	REV
ANGLES ± 2°		RLSE	DATE	10422-500	A
3 PL ± .005 [13]		SCALE: 1:1.5			
2 PL ± .015 [38]		SHEET 1 OF 1			
REMOVE ALL BURRS AND SHARP EDGES R.01 MAX					
CONCENTRICITY MACHINED DIA: .002 FIM					
MACHINE TOOL MISMATCH .003 MAX					
NEXT ASSY	USED ON	THIRD ANGLE PROJECTION			
APPLICATION					

Restriction on use, duplication, or disclosure of proprietary information. This document contains proprietary information which is the sole property of Werlatone, Inc.
 Werlatone, Inc. 17 Jon Barrett Road Patterson, NY 12563 T:(845)278-2220 F:(845)278-3440 sales@werlatone.com www.werlatone.com