
PRODUCT DATA SHEET
D9869

Werlatone® Mismatch Tolerant® High Power Broadband RF Combiners and Dividers will operate into High Load VSWR Conditions, for extended periods, without damage. With extensive experience as a supplier to military platforms worldwide **Werlatone®** designs its High Power Broadband Combiners, Power Dividers, and N-Way Combiners for proper operation in the most stringent operating conditions.

Features:

High Power Wide Bandwidths Small Size High Isolation Custom Designs Available

Electrical Specifications:

Frequency: 800 - 3000 MHz
 Power: 400 W CW
 Insertion Loss 0.4 dB Max.
 VSWR: 1.35:1 Max.
 Phase Balance: ± 5° dB Max.
 Amplitude Balance: 0.25 dB Max.
 Isolation: 15 dB Min.

Mechanical Specifications:

Type: Connectorized
 Material: Aluminum 6061-T6
 Surface Finish: Chem. Film Per MIL-DTL-5541F Type II
 Class 3 (Clear Iridite) RoHS Compliant
 Available
 Operating Temperature: -55°C to +75°C
 Storage Temperature: -60°C to +85°C
 Size: 3.7 x 1.9 x 1.07"

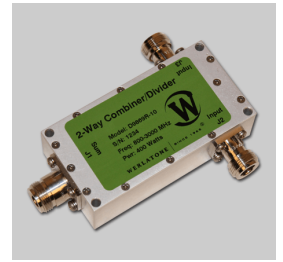
Connector Configurations:

Model	Sum Port (J1)	Input/Output (J2)	Input/Output (J3)
D9869-10	N Female	N Female	N Female
D9869-12	N Female	SMA	SMA

When specified, Werlatone® High Power Combiners and RF Dividers will tolerate full input failures on adjacent port(s). This insures that remaining transmitter(s) may continue to operate until the amplifier system can be properly shut down for maintenance. Choose your specific connector configuration from a list of options. Additional connector configurations for our High Power RF Combiners/Dividers, Non-Coherent Combiners, and N-Way Combiners are available upon request.

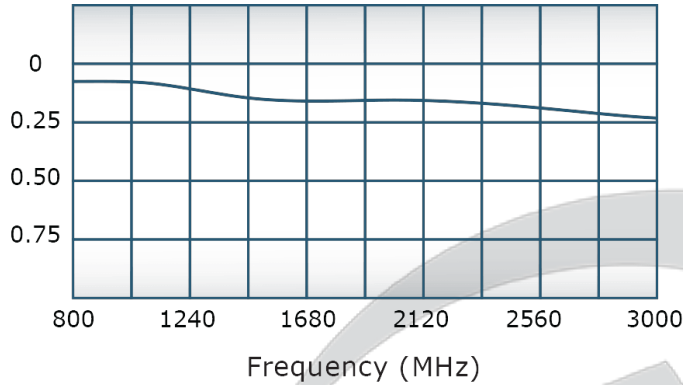
Restriction on use, duplication, or disclosure of proprietary information. This document contains proprietary information which is the sole property of Werlatone, Inc.

Werlatone, Inc. 17 Jon Barrett Road Patterson, NY 12563 T:(845)278-2220 F:(845)278-3440 sales@werlatone.com www.werlatone.com

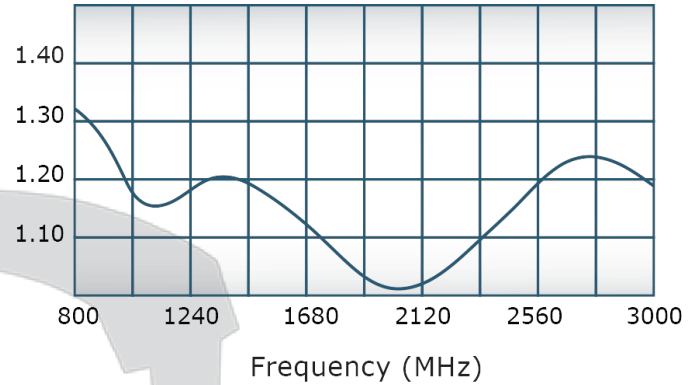


Performance Data (Specifications subject to change without notice):

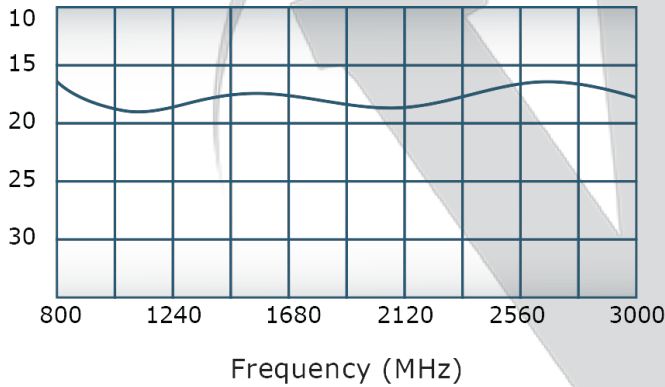
Insertion Loss:



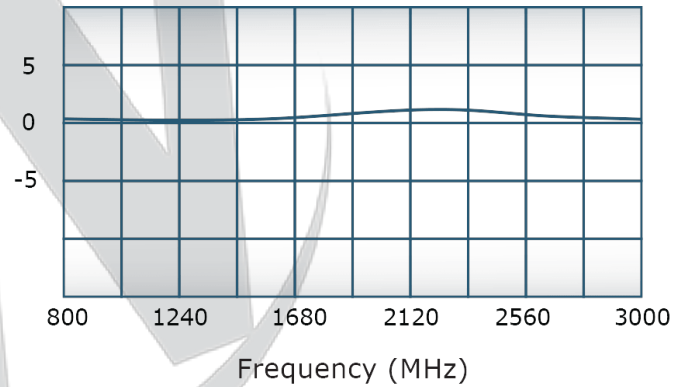
VSWR:



Isolation:

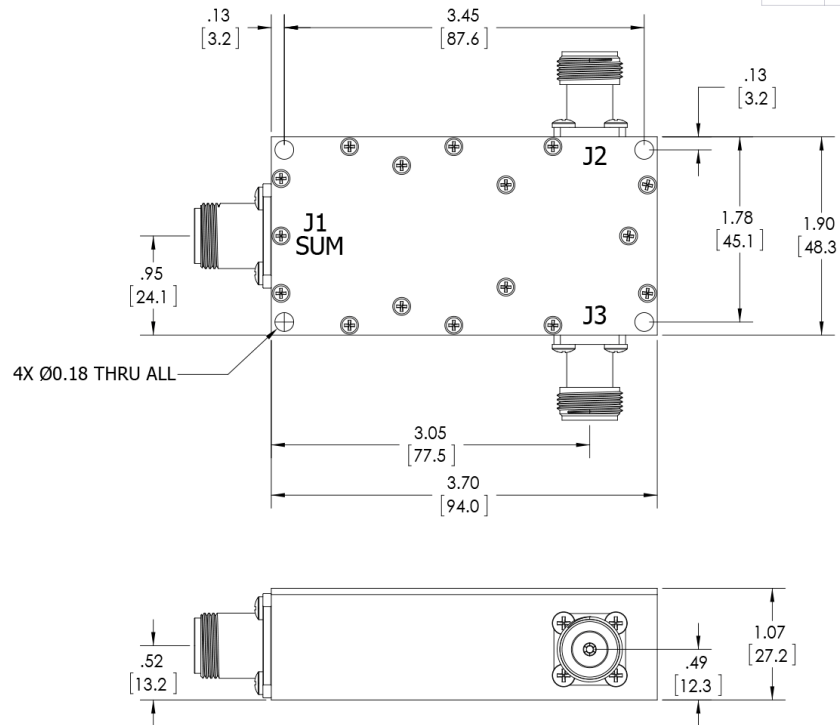


Phase Balance:



RESTRICTION ON USE, DUPLICATION OR DISCLOSURE OF PROPRIETARY INFORMATION
 This document contains proprietary information which is the sole property of Werlatone, Inc.

REVISION HISTORY			
REV.	REVISION RECORD	DATE	APPROVED
-	INITIAL RELEASE	11/15/2013	SC



UNLESS OTHERWISE SPECIFIED		OWN	DATE	17 Jon Barrett Rd Patterson, NY 12563
INTERPRET DRAWING IN ACCORDANCE WITH MIL-STD-100	CHK	SC	11/15/2013	WERLATONE SINCE 1965
DIMENSIONS PER ASME Y14.5M-2009	PR	PR	11/15/2013	
PARALLELISM PER ASME Y14.5M-2009	ENGR	ENGR	DATE	TITLE
DIMENSIONS ARE IN INCHES (mm)				OUTLINE
DIMENSIONAL LINES APPLY BEFORE PROCESSES				CAGE CODE
TOLERANCES:				28812 21113-500
ANGLES = 3°				SCALE
3 PL ± .005 (13)				1:1
2 PL ± .015 (38)				SHEET 1 OF 1
REMOVE ALL BURRS AND SHARP EDGES R.01 MAX				
CONCENTRICITY FRACTIONED DIA. .002 FRA				
MACHINE TOOL MISMATCH .003 MAX				
THIRD ANGLE PROJECTION				

Restriction on use, duplication, or disclosure of proprietary information. This document contains proprietary information which is the sole property of Werlatone, Inc.
 Werlatone, Inc. 17 Jon Barrett Road Patterson, NY 12563 T:(845)278-2220 F:(845)278-3440 sales@werlatone.com www.werlatone.com