
PRODUCT DATA SHEET
D9810

Werlatone® Mismatch Tolerant® High Power Broadband RF Combiners and Dividers will operate into High Load VSWR Conditions, for extended periods, without damage. With extensive experience as a supplier to military platforms worldwide **Werlatone®** designs its High Power Broadband Combiners, Power Dividers, and N-Way Combiners for proper operation in the most stringent operating conditions.

Features:

High Power Wide Bandwidths Small Size Custom Designs Available

Electrical Specifications:

Frequency: 800 - 2500 MHz
 Power: 600 W CW
 Insertion Loss: 0.5 dB Max.
 VSWR: 1.35:1 Max.
 Phase Balance: $\pm 5^\circ$ Max.
 Amplitude Balance: 0.25 dB Max.
 Isolation: Non-Isolated

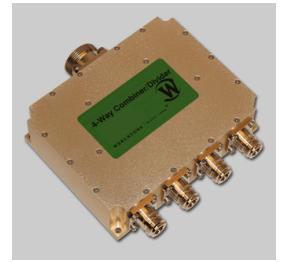
Mechanical Specifications:

Type: Connectorized
 Material: Aluminum 6061-T6
 Surface Finish: Chem. Film Per MIL-DTL-5541F Type I Class 3 (Yellow Iridite) RoHS Compliant Available
 Operating Temperature: -55°C to +75°C
 Storage Temperature: -60°C to +85°C
 Size: 5.5 x 4.25 x 1.6"

Connector Configurations:

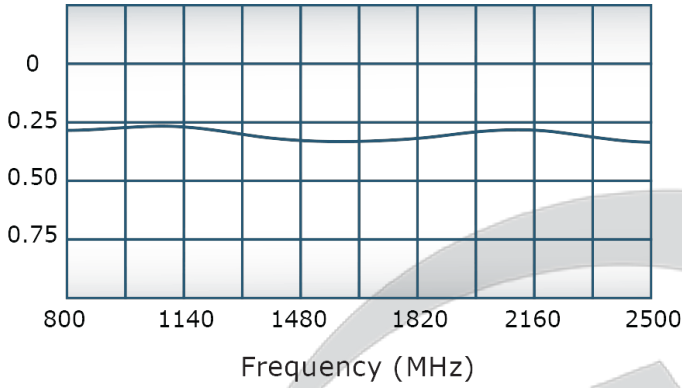
Model	Sum Port (J1)	Input/Output (J2-J5)
D9810-10	N Female	N Female
D9810-12	N Female	SMA
D9810-20	7/16 Female	N Female

When specified, Werlatone® High Power Combiners and RF Dividers will tolerate full input failures on adjacent port(s). This insures that remaining transmitter(s) may continue to operate until the amplifier system can be properly shut down for maintenance. Choose your specific connector configuration from a list of options. Additional connector configurations for our High Power RF Combiners/Dividers, Non-Coherent Combiners, and N-Way Combiners are available upon request.

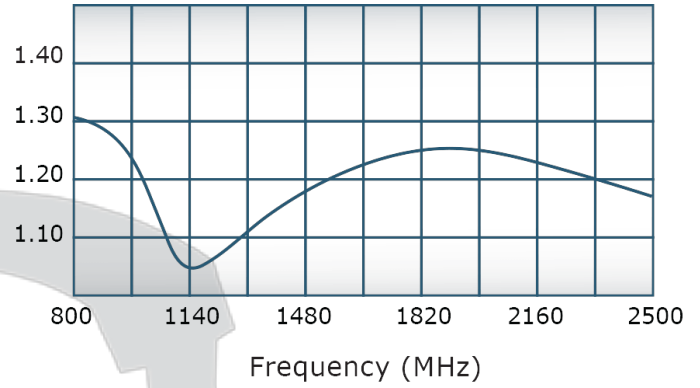


Performance Data (Specifications subject to change without notice):

Coupling:



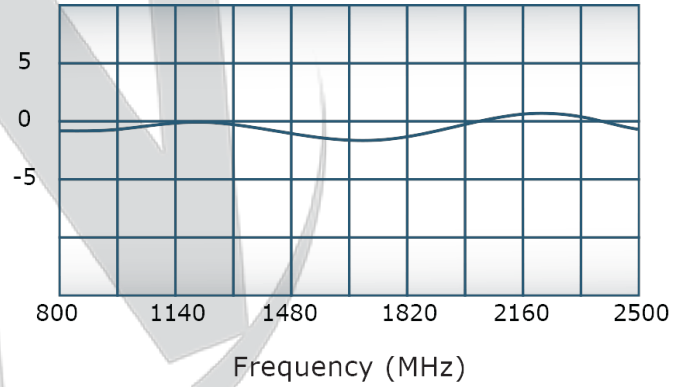
VSWR:



Since 1965:

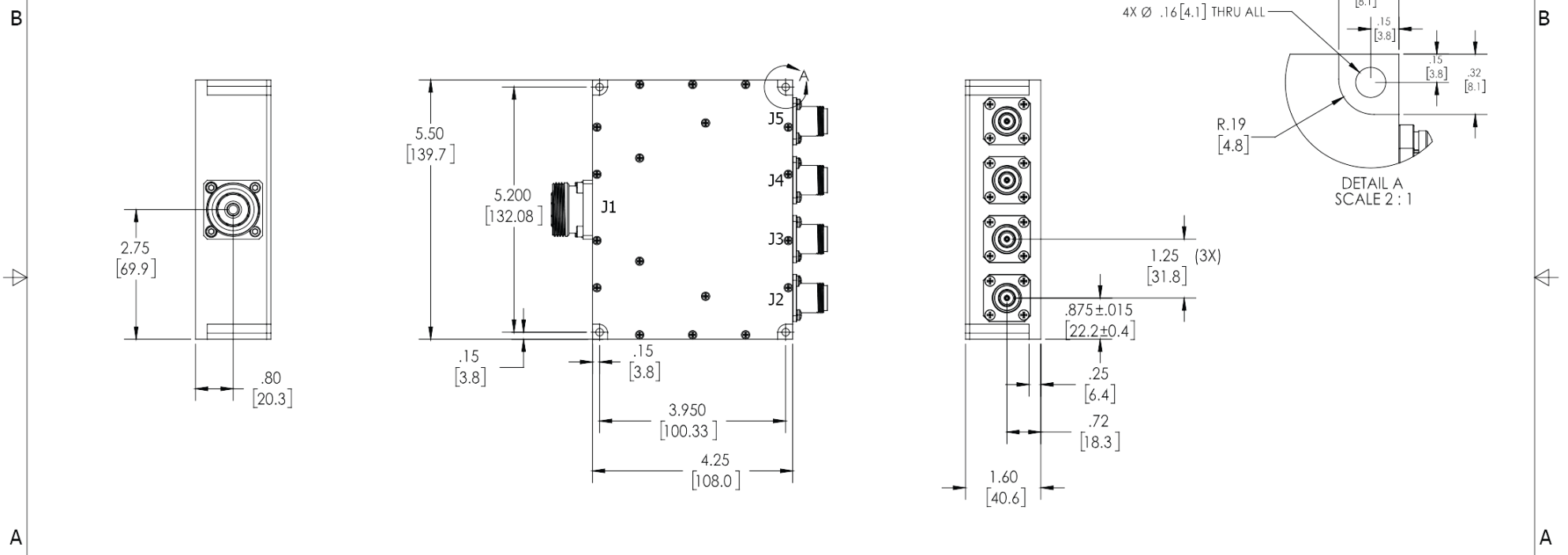


Phase Balance:



RESTRICTION ON USE, DUPLICATION OR DISCLOSURE OF PROPRIETARY INFORMATION
 This document contains proprietary information which is the sole property of Werlatone, Inc.

REVISIONS			
REV.	REVISION RECORD	DATE	APPROVED
-	INITIAL RELEASE	3/1/2013	BW
A	ECN 8563	2/14/2014	BW
B	ECN 9844	10/3/2019	BW



UNLESS OTHERWISE SPECIFIED		OWN	DATE	WERLATONE SINCE 1965 17 Jon Barrett Rd Patterson, NY 12563
<ul style="list-style-type: none"> • INTERPRET DRAWING IN ACCORDANCE WITH MIL-STD-100 • DIMENSIONING PER ASME Y14.5M-2009 • DIMENSIONAL LIMITS FOR RISE ONLY • DIMENSIONS ARE IN INCHES (mm) • DIMENSIONAL LIMITS APPLY BEFORE PROCESSES • TOLERANCES: 		GP	3/1/2013	
		CHK	DATE	
		ENGR	3/1/2013	
		PRGR	DATE	TITLE
		QA	DATE	SIZE CAGE CODE DWG NO
		RLSE	DATE	B 28812 21008-500
APPLICATION		THIRD ANGLE PROJECTION		SCALE 1:2
D9811-20				REV B
21008-300A D9343-20				SHEET 1 OF 1
NEXT ASSY USED ON				

Restriction on use, duplication, or disclosure of proprietary information. This document contains proprietary information which is the sole property of Werlatone, Inc.
 Werlatone, Inc. 17 Jon Barrett Road Patterson, NY 12563 T:(845)278-2220 F:(845)278-3440 sales@werlatone.com www.werlatone.com