
**PRODUCT DATA SHEET**
**D9343**

**Werlatone® Mismatch Tolerant®** High Power Broadband RF Combiners and Dividers will operate into High Load VSWR Conditions, for extended periods, without damage. With extensive experience as a supplier to military platforms worldwide **Werlatone®** designs its High Power Broadband Combiners, Power Dividers, and N-Way Combiners for proper operation in the most stringent operating conditions.

**Features:**

High Power      Wide Bandwidths      Small Size      High Isolation      Custom Designs Available

**Electrical Specifications:**

Frequency:                      1000 - 2500 MHz  
 Power:                              1000 W CW  
 Insertion Loss:                0.5 dB Max.  
 VSWR:                              1.35:1 Max.  
 Phase Balance:                 $\pm 5^\circ$  Max.  
 Amplitude Balance:         0.25 dB Max.  
 Isolation:                         10 dB Min.

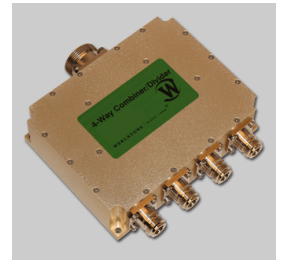
**Mechanical Specifications:**

Type:                                 Connectorized  
 Material:                         Aluminum 6061-T6  
 Surface Finish:                Chem. Film Per MIL-DTL-5541F Type I Class 3 (Yellow Iridite) RoHS Compliant Available  
 Operating Temperature:     -55°C to +75°C  
 Storage Temperature:        -60°C to +85°C  
 Weight:                              2.625 lbs.  
 Size:                                 5.5 x 4.25 x 1.6"

**Connector Configurations:**

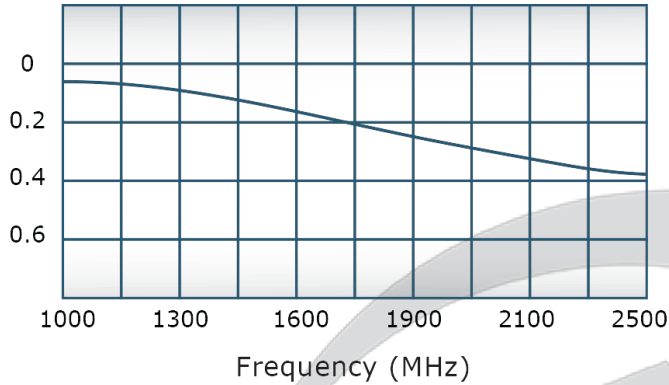
Model	Sum Port (J1)	Input/Output (J2-J5)
D9343-10	N Female	N Female
D9343-12	N Female	SMA
D9343-20	7/16 Female	N Female

**When specified, Werlatone® High Power Combiners and RF Dividers** will tolerate full input failures on adjacent port(s). This insures that remaining transmitter(s) may continue to operate until the amplifier system can be properly shut down for maintenance. Choose your specific connector configuration from a list of options. Additional connector configurations for our High Power RF Combiners/Dividers, Non-Coherent Combiners, and N-Way Combiners are available upon request.

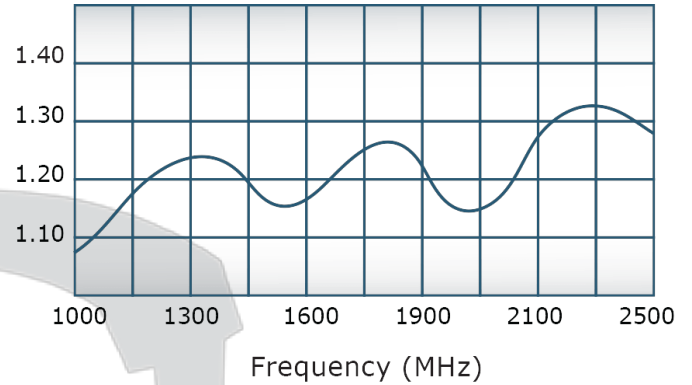


## Performance Data (Specifications subject to change without notice):

Insertion Loss:



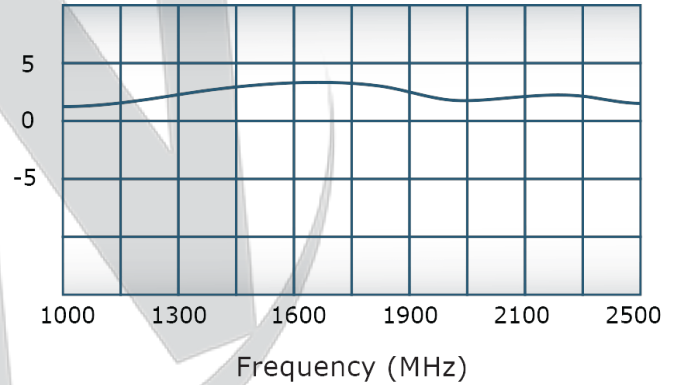
VSWR:



Since 1965:



Phase Balance:



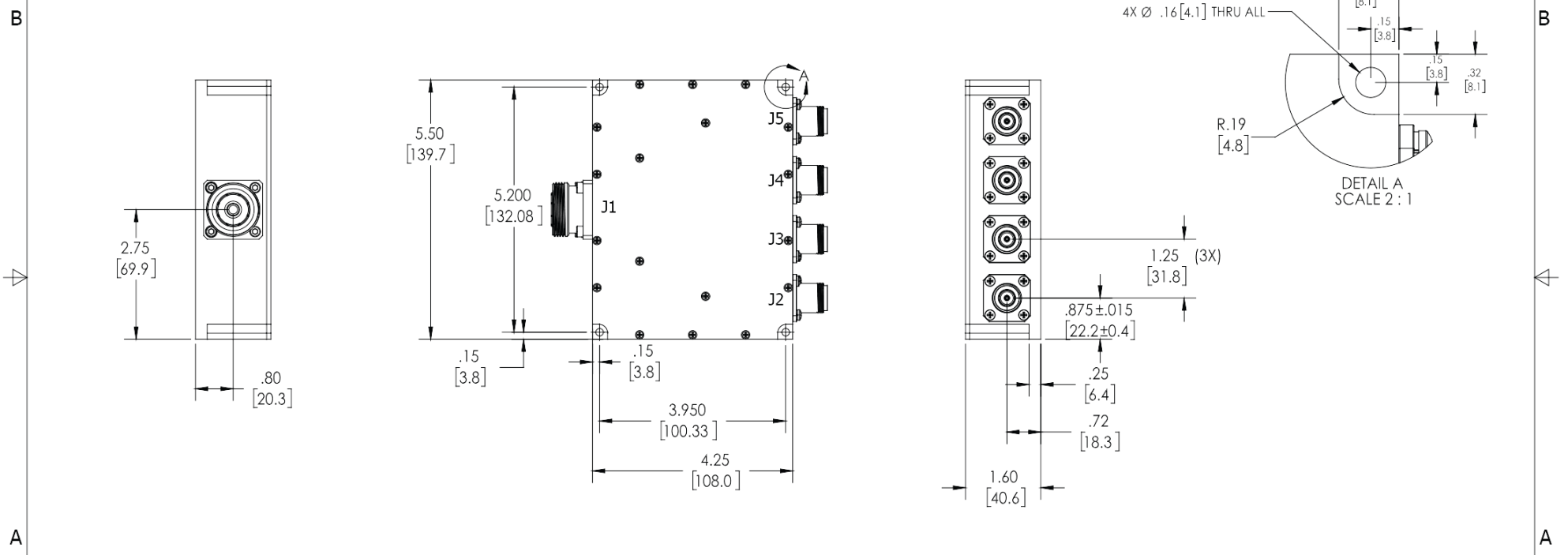
**Restriction on use, duplication, or disclosure of proprietary information.** This document contains proprietary information which is the sole property of

Werlatone, Inc.

Werlatone, Inc. 17 Jon Barrett Road Patterson, NY 12563 T:(845)278-2220 F:(845)278-3440 sales@werlatone.com www.werlatone.com

**RESTRICTION ON USE, DUPLICATION OR DISCLOSURE OF PROPRIETARY INFORMATION**  
 This document contains proprietary information which is the sole property of Werlatone, Inc.

REVISIONS			
REV.	REVISION RECORD	DATE	APPROVED
-	INITIAL RELEASE	3/1/2013	BW
A	ECN 8563	2/14/2014	BW
B	ECN 9844	10/3/2019	BW



UNLESS OTHERWISE SPECIFIED		OWN	DATE	WERLATONE SINCE 1965 17 Jon Barrett Rd Patterson, NY 12563
<ul style="list-style-type: none"> <li>• INTERPRET DRAWING IN ACCORDANCE WITH MIL-STD-100</li> <li>• DIMENSIONING PER ASME Y14.5M-2009</li> <li>• DIMENSIONAL LIMITS FOR REF ONLY</li> <li>• DIMENSIONS ARE IN INCHES (mm)</li> <li>• DIMENSIONAL LIMITS APPLY BEFORE PROCESSES</li> <li>• TOLERANCES:</li> </ul>		GP	3/1/2013	
D9811-20		CHK	DATE	TITLE
21008-300A D9343-20		ENGR	3/1/2013	SCALE
NEXT ASSY USED ON		PRGR	DATE	CAGE CODE
APPLICATION		QA	DATE	DWG NO
THIRD ANGLE PROJECTION		RLSE	DATE	REV
		SCALE		B
		SCALE		21008-500
		SCALE		B
		SCALE		SHEET 1 OF 1

Restriction on use, duplication, or disclosure of proprietary information. This document contains proprietary information which is the sole property of Werlatone, Inc.  
 Werlatone, Inc. 17 Jon Barrett Road Patterson, NY 12563 T:(845)278-2220 F:(845)278-3440 sales@werlatone.com www.werlatone.com