



## PRODUCT DATA SHEET

D9279

**Werlatone® Mismatch Tolerant®** High Power Broadband RF Combiners and Dividers will operate into High Load VSWR Conditions, for extended periods, without damage. With extensive experience as a supplier to military platforms worldwide **Werlatone®** designs its High Power Broadband Combiners, Power Dividers, and N-Way Combiners for proper operation in the most stringent operating conditions.

### Features:

High Power      Wide Bandwidths      Small Size      High Isolation      Custom Designs Available

### Electrical Specifications:

Frequency:	500 - 1000 MHz
Power:	1000 W CW
Insertion Loss:	0.25 dB Max.
VSWR:	1.35:1 Max.
Phase Balance:	± 5° Max.
Amplitude Balance:	0.2 dB Max.
Isolation:	14 dB Min.

### Mechanical Specifications:

Type:	Connectorized
Material:	Aluminum 6061-T6
Surface Finish:	Chem. Film Per MIL-DTL-5541F Type I Class 3 (Yellow Iridite) RoHS Compliant Available
Operating Temperature:	-55°C to +75°C
Storage Temperature:	-60°C to +85°C
Weight:	1 lbs. 5 oz.
Size:	5.0 x 3.0 x 1.25"

### Connector Configurations:

Model	Sum Port (J1)	Input/Output (J2)	Input/Output (J3)
D9297-10	N Female	N Female	N Female
D9297-10STS	N Female Stainless Steel	N Female Stainless Steel	N Female Stainless Steel
D9297-12	N Female	SMA	SMA

**When specified, Werlatone® High Power Combiners and RF Dividers** will tolerate full input failures on adjacent port(s). This insures that remaining transmitter(s) may continue to operate until the amplifier system can be properly shut down for maintenance. Choose your specific connector configuration from a list of options. Additional connector configurations for our High Power RF Combiners/Dividers, Non-Coherent Combiners, and N-Way Combiners are available upon request.

**Restriction on use, duplication, or disclosure of proprietary information.** This document contains proprietary information which is the sole property of

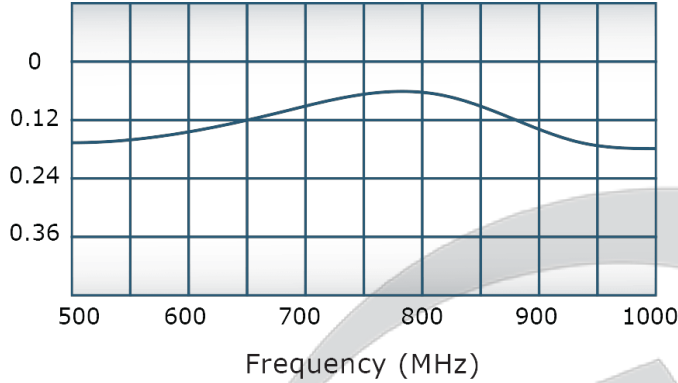
Werlatone, Inc.

Werlatone, Inc. 17 Jon Barrett Road Patterson, NY 12563 T:(845)278-2220 F:(845)278-3440 sales@werlatone.com www.werlatone.com

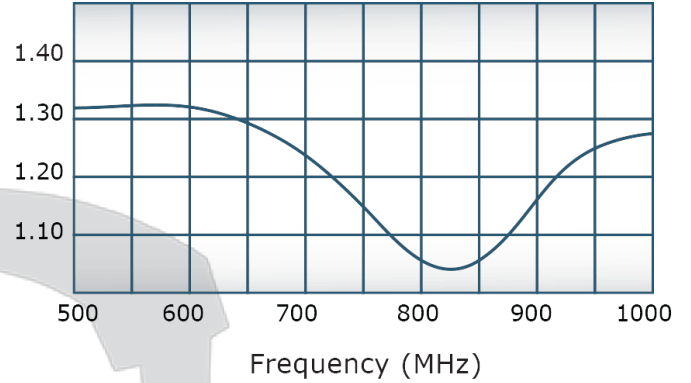


## Performance Data (Specifications subject to change without notice):

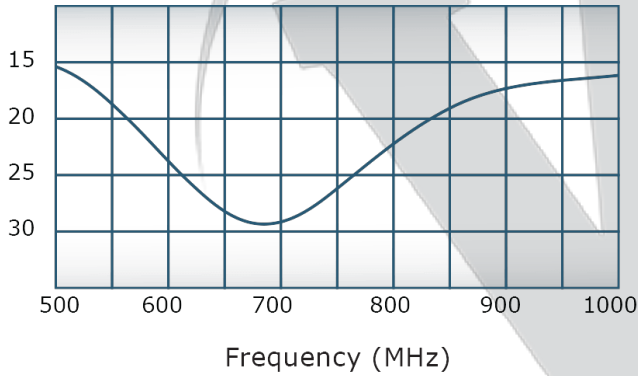
Insertion Loss:



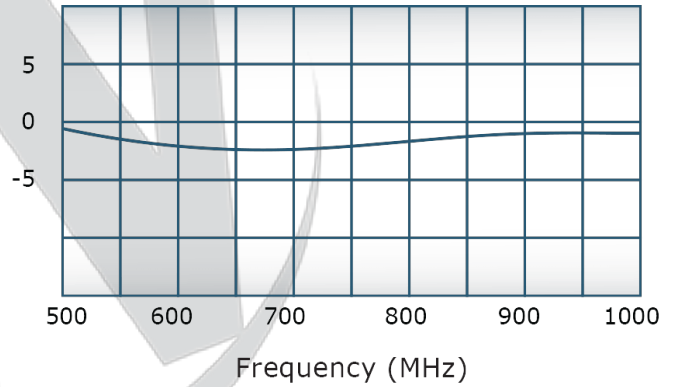
VSWR:



Isolation:



Phase Balance:



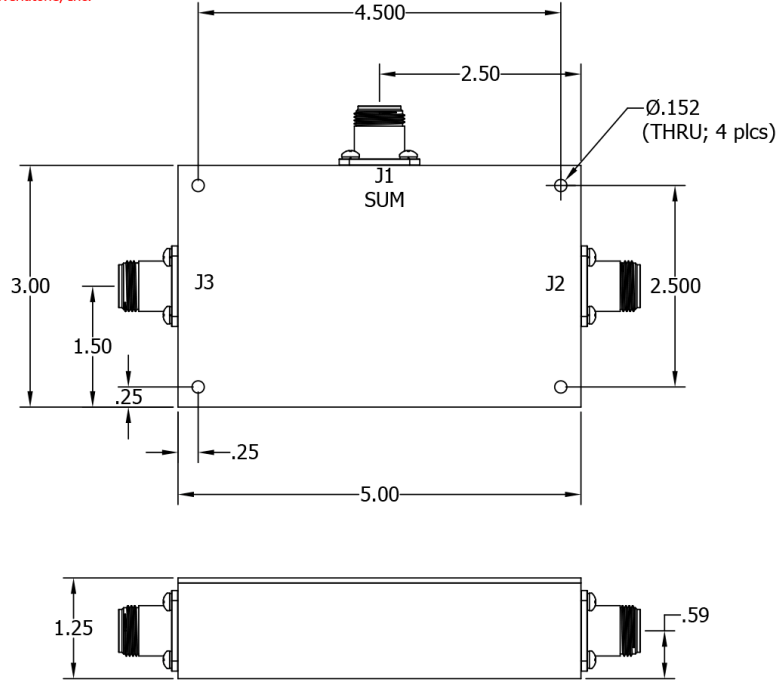
Restriction on use, duplication, or disclosure of proprietary information. This document contains proprietary information which is the sole property of

Werlatone, Inc.

Werlatone, Inc. 17 Jon Barrett Road Patterson, NY 12563 T:(845)278-2220 F:(845)278-3440 sales@werlatone.com www.werlatone.com

**RESTRICTION ON USE, DUPLICATION OR DISCLOSURE OF PROPRIETARY INFORMATION**  
 This document contains proprietary information which is the sole property of Werlatone, Inc.

REVISION HISTORY			
REV	REVISION RECORD	DATE	APPROVED
-	Initial Rls	10/23/2013	BW



20801-300	
NEXT ASSY	USED ON
APPLICATION	

UNLESS OTHERWISE SPECIFIED  
 • INTERPRET DRAWING LAW MIL-STD-100  
 • DIMENSIONING PER ASME Y14.5M-2009  
 • PARENTHETICAL INFO FOR REF ONLY  
 • DIMENSIONS ARE IN INCHES  
 • DIMENSIONAL LIMITS APPLY BEFORE PROCESSES  
 • TOLERANCES: ANGLES ±2-  
 3 PL ±.005  
 2 PL ±.015  
 THIRD ANGLE PROJECTION

DWN	DATE
NH	10/23/13
CHK	DATE
BW	10/23/13
ENGR	DATE
BW	10/23/13
MFGR	DATE
QA	DATE
RLSE	DATE

**W** WERLATONE | SINCE 1965

17 Jon Barrett Rd  
 Patterson, NY 12563

TITLE		REV	
Outline		-	
SIZE	CAGE CODE	DWG NO	
A	28812	22012-500	
SCALE			SHEET 1 OF 1
1:2			

**Restriction on use, duplication, or disclosure of proprietary information.** This document contains proprietary information which is the sole property of Werlatone, Inc.  
 Werlatone, Inc. 17 Jon Barrett Road Patterson, NY 12563 T:(845)278-2220 F:(845)278-3440 sales@werlatone.com www.werlatone.com