

PRODUCT DATA SHEET

D9042

Werlatone® Mismatch Tolerant® High Power Broadband RF Combiners and Dividers will operate into High Load VSWR Conditions, for extended periods, without damage. With extensive experience as a supplier to military platforms worldwide **Werlatone®** designs its High Power Broadband Combiners, Power Dividers, and N-Way Combiners for proper operation in the most stringent operating conditions.

Features:

High Power Wide Bandwidths Small Size High Isolation Custom Designs Available

Electrical Specifications:

Frequency: 3000 - 6000 MHz
 Power: 250 W CW
 Insertion Loss: 0.35 dB Max.
 VSWR: 1.40:1 Max.
 Phase Balance: ± 5° Max.
 Amplitude Balance: 0.2 dB Max.
 Isolation: 15 dB Min.

Mechanical Specifications:

Type: Connectorized
 Material: Aluminum 6061-T6
 Surface Finish: Chem. Film Per MIL-DTL-5541F Type I Class 3 (Yellow Iridite) RoHS Compliant Available
 Operating Temperature: -55°C to +75°C
 Storage Temperature: -60°C to +85°C
 Weight: 0.5 oz.
 Size: 2.0 x 2.03 x 0.87"

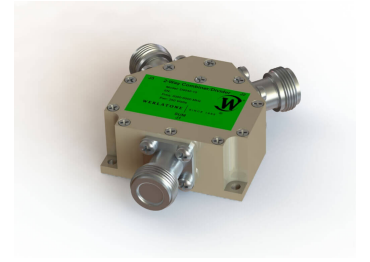
Connector Configurations:

Model	Sum Port (J1)	Input/Output (J2)	Input/Output (J3)
D9042-10	N Female	N Female	N Female
D9042-12	N Female	SMA	SMA
D9042-102	SMA	SMA	SMA
D9042-300	TNC	TNC	TNC

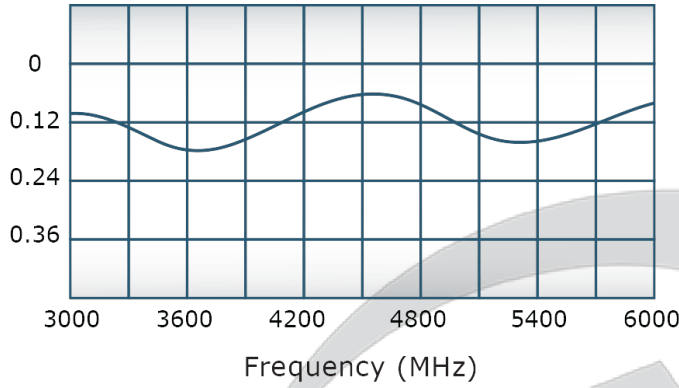
When specified, Werlatone® High Power Combiners and RF Dividers will tolerate full input failures on adjacent port(s). This insures that remaining transmitter(s) may continue to operate until the amplifier system can be properly shut down for maintenance. Choose your specific connector configuration from a list of options. Additional connector configurations for our High Power RF Combiners/Dividers, Non-Coherent Combiners, and N-Way Combiners are available upon request.

Restriction on use, duplication, or disclosure of proprietary information. This document contains proprietary information which is the sole property of Werlatone, Inc.

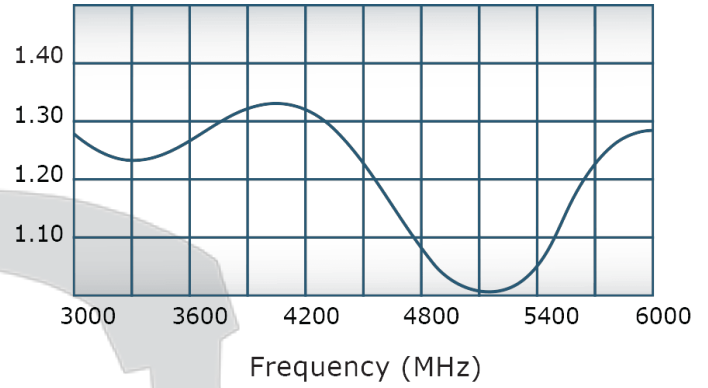
Werlatone, Inc. 17 Jon Barrett Road Patterson, NY 12563 T:(845)278-2220 F:(845)278-3440 sales@werlatone.com www.werlatone.com


Performance Data (Specifications subject to change without notice):

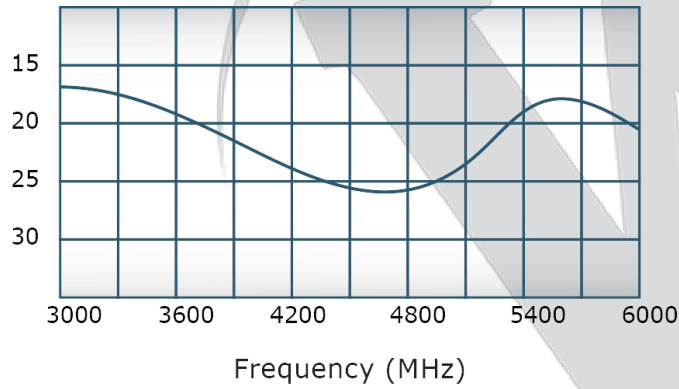
Insertion Loss:



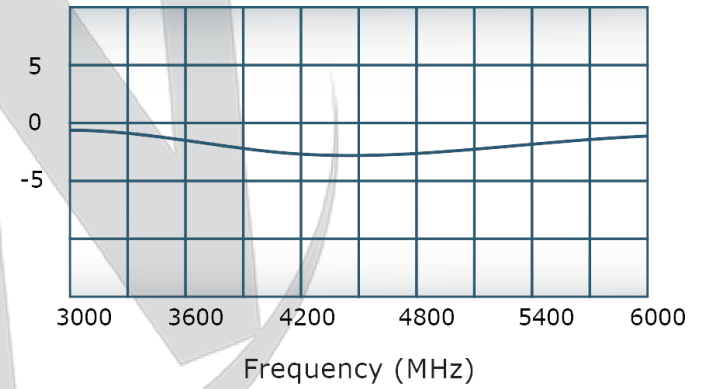
VSWR:



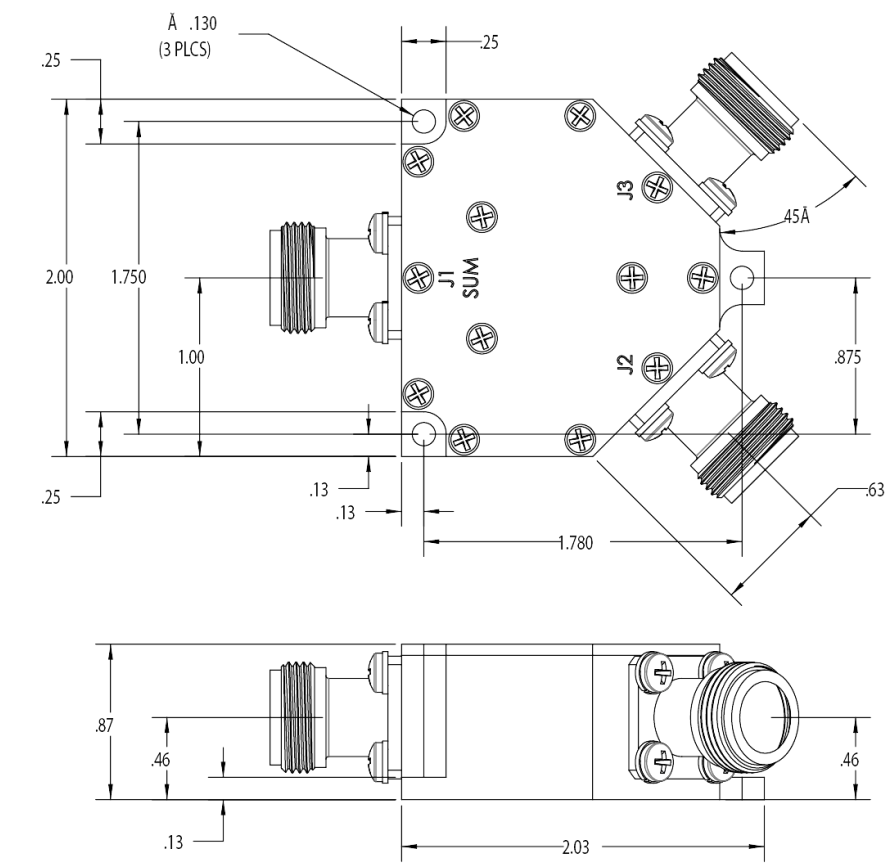
Isolation:



Phase Balance:



RESTRICTION ON USE, DUPLICATION OR DISCLOSURE OF PROPRIETARY INFORMATION
 This document contains proprietary information which is the sole property of Werlatone, Inc.



REVISION HISTORY			
REV.	REVISION RECORD	DATE	APPROVED
-	INITIAL RELEASE	7/1/2011	BW
A	ECN # 5495	11/15/2011	BW
B	NEW RELEASE	8/12/2020	RB

NOTES: UNLESS OTHERWISE SPECIFIED
 1. MATERIAL: ALUMINUM 6061-T6
 2. FINISH: CHEM FILM PER MIL-DTL-5541F TYPE I CLASS 3 (YELLOW IRIDITE)
 3. CONNECTORS:
 J1-J3: N FEMALE

UNLESS OTHERWISE SPECIFIED		DWN	DATE	WERLATONE SINCE 1965 17 Jon Barrett Rd Patterson, NY 12563
INTERPRET DRAWING IN ACCORDANCE WITH ASME Y14.5-2018 DIMENSIONING AND TOLERANCING MANUAL		SD	8/12/2020	
DIMENSIONS ARE IN INCHES UNLESS OTHERWISE SPECIFIED		CHK	DATE	TITLE OUTLINE
TOLERANCES: ANGLES ±.04		ENGR	8/12/2020	
REMOVE ALL BURRS AND SHARP EDGES FROM ALL		WFR	DATE	SIZE
MACHINE TOOL NUMBER 203 400		SA	DATE	CAGE CODE
THIRD ANGLE PROJECTION		REL	DATE	DWG NO
APPLICATION		SCALE		REV
		3:2		B
		20780-500		B
		SHEET 1 OF 1		

Restriction on use, duplication, or disclosure of proprietary information. This document contains proprietary information which is the sole property of Werlatone, Inc.
 Werlatone, Inc. 17 Jon Barrett Road Patterson, NY 12563 T:(845)278-2220 F:(845)278-3440 sales@werlatone.com www.werlatone.com