



PRODUCT DATA SHEET

D8606W

Werlatone® Mismatch Tolerant® High Power Broadband RF Combiners and Dividers will operate into High Load VSWR Conditions, for extended periods, without damage. With extensive experience as a supplier to military platforms worldwide **Werlatone®** designs its High Power Broadband Combiners, Power Dividers, and N-Way Combiners for proper operation in the most stringent operating conditions.

Features:

High Power Wide Bandwidths Small Size High Isolation Custom Designs Available

Electrical Specifications:

Frequency: 600 - 3000 MHz
 Power: 200 W CW
 Insertion Loss: 0.5 dB Max.
 VSWR: 1.35:1 Max.
 Phase Balance: ± 5° Max.
 Amplitude Balance: 0.25 dB Max.
 Isolation: 17 dB Min.

Mechanical Specifications:

Type: Connectorized
 Material: Aluminum 6061-T6
 Surface Finish: Chem. Film Per MIL-DTL-5541F Type I Class 3 (Yellow Iridite) RoHS Compliant Available
 Operating Temperature: -55°C to +75°C
 Storage Temperature: -60°C to +85°C
 Humidity: 100% Condensing (Watertight Design)
 Weight: 12.35 oz.
 Size: 4.19 x 2.06 x 1.02"

Connector Configurations:

Model	Sum Port (J1)	Input/Output (J2)	Input/Output (J3)
D8606W-10	N Female	N Female	N Female

When specified, Werlatone® High Power Combiners and RF Dividers will tolerate full input failures on adjacent port(s). This insures that remaining transmitter(s) may continue to operate until the amplifier system can be properly shut down for maintenance. Choose your specific connector configuration from a list of options. Additional connector configurations for our High Power RF Combiners/Dividers, Non-Coherent Combiners, and N-Way Combiners are available upon request.

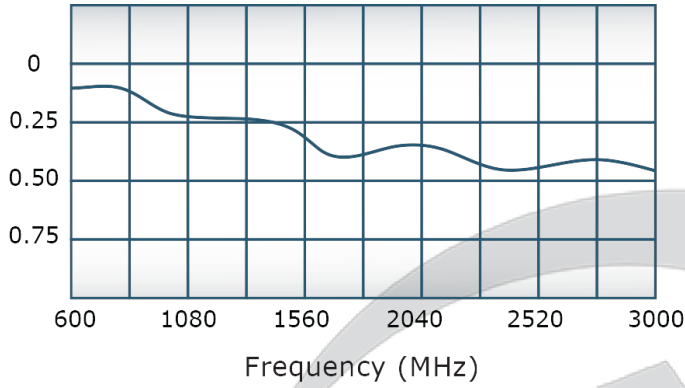


PRODUCT DATA SHEET

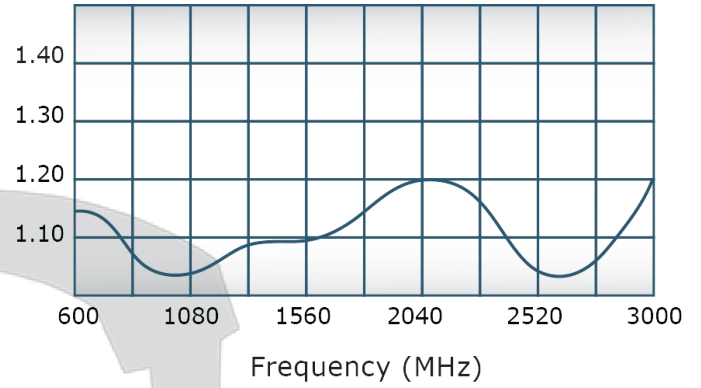
D8606W

Performance Data (Specifications subject to change without notice):

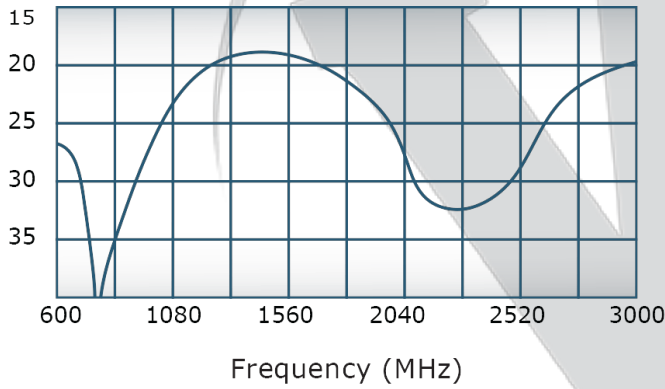
Insertion Loss:



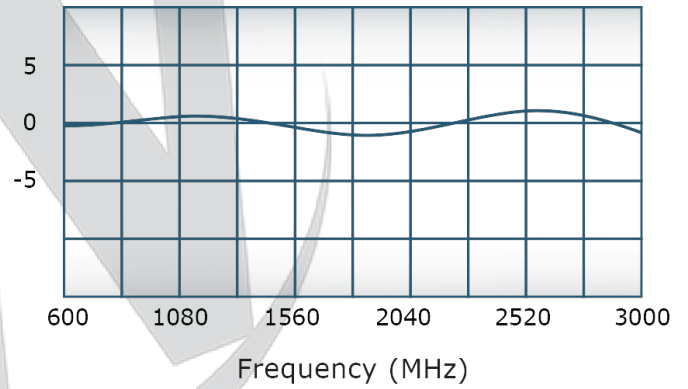
VSWR:



Isolation:



Phase Balance:



Restriction on use, duplication, or disclosure of proprietary information. This document contains proprietary information which is the sole property of

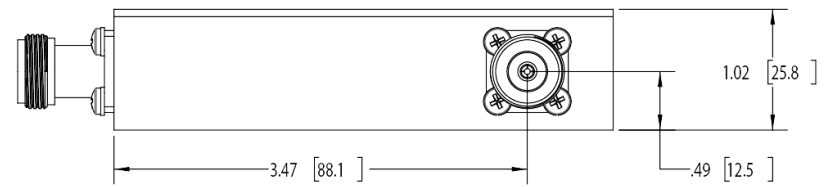
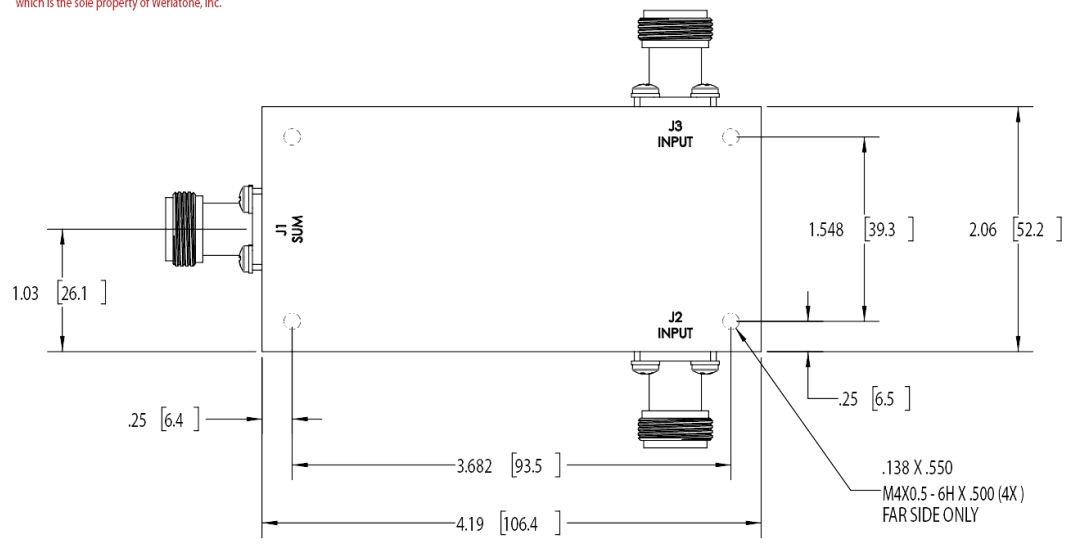
Werlatone, Inc.

Werlatone, Inc. 17 Jon Barrett Road Patterson, NY 12563 T:(845)278-2220 F:(845)278-3440 sales@werlatone.com www.werlatone.com

RESTRICTION ON USE, DUPLICATION OR DISCLOSURE OF PROPRIETARY INFORMATION
 This document contains proprietary information which is the sole property of Werlatone, Inc.

REVISION HISTORY			
REV.	REVISION RECORD	DATE	APPROVED
A	NEW RELEASE	8/12/2020	RB

- NOTES: UNLESS OTHERWISE SPECIFIED
- MATERIAL: ALUMINUM 6061-T6
 - FINISH: CHEM FILM PER MIL-DTL-5541F TYPE I CLASS 3 (YELLOW IRIDITE)
 - CONNECTORS:
J1-J3: FEMALE



UNLESS OTHERWISE SPECIFIED		APPN	DATE	WERLATONE SINCE 1905 17 Jon Barrett Rd Patterson, NY 12563
INTERPRET DRAWING AND MFG. INFO	SD	8/12/2020		
ENGINEERING DES. SIZE TO DIM	CHK	DATE		TITLE
ASSEMBLY INFO FOR REF ONLY	CS	8/12/2020		OUTLINE
OVERSIZING USE DIMENSIONS	ENGR	DATE		SIZE
OPERATIONAL LIMITS BEFORE PROCESS	WFR	DATE		CAGE CODE
TOLERANCES:	SA	DATE		DWG NO
ANGLES: 1:4	REL	DATE		REV
APL: .0001 IT				B
APL: .015 IT				20613-502
REMOVE ALL BURRS AND SHARP EDGES FROM				SCALE
CONFORM TO MIL-STD-883C				1:1
MACHINING TOOL NUMBER: 203 040				SHEET
				1 OF 1

Restriction on use, duplication, or disclosure of proprietary information. This document contains proprietary information which is the sole property of Werlatone, Inc.
 Werlatone, Inc. 17 Jon Barrett Road Patterson, NY 12563 T:(845)278-2220 F:(845)278-3440 sales@werlatone.com www.werlatone.com