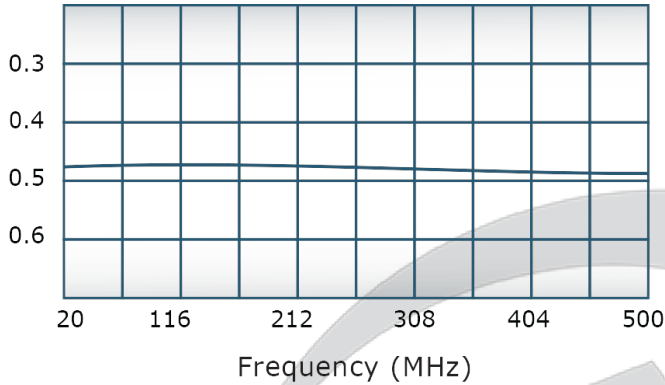
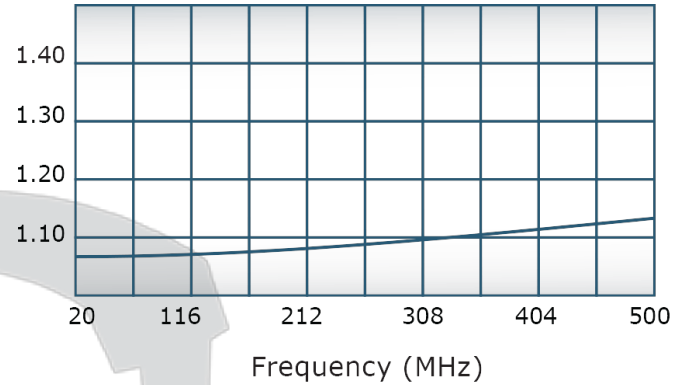


## Performance Data (Specifications subject to change without notice):

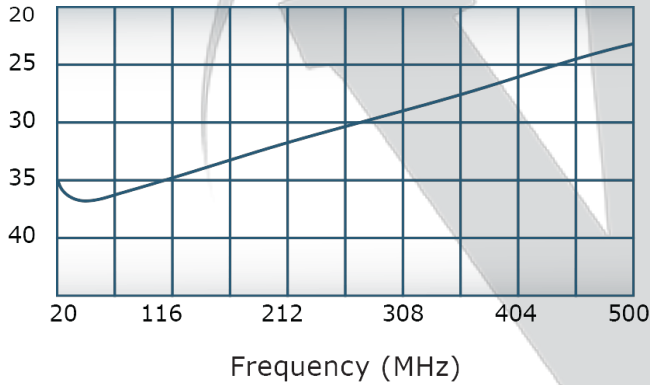
Insertion Loss:



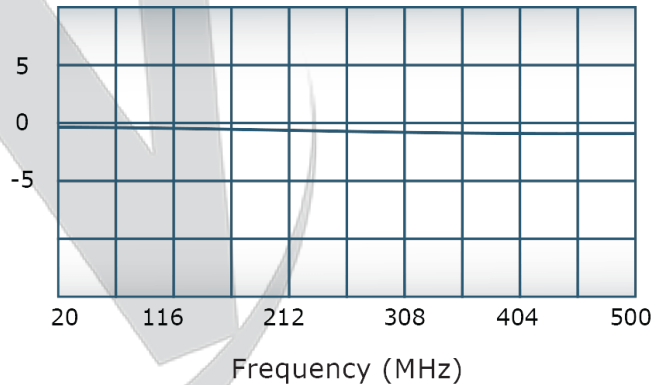
VSWR:



Isolation:



Phase Balance:



Restriction on use, duplication, or disclosure of proprietary information. This document contains proprietary information which is the sole property of

Werlatone, Inc.

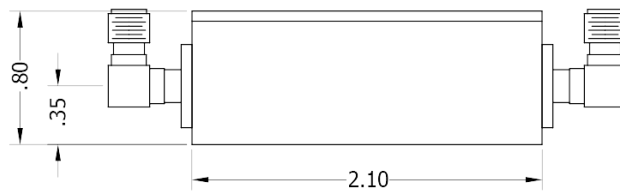
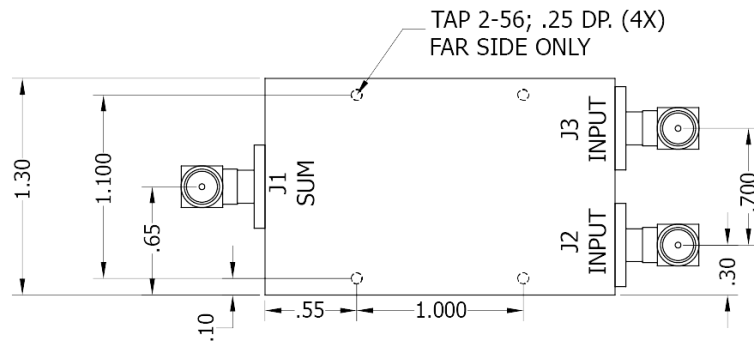
Werlatone, Inc. 17 Jon Barrett Road Patterson, NY 12563 T:(845)278-2220 F:(845)278-3440 sales@werlatone.com www.werlatone.com

RESTRICTION ON USE, DUPLICATION OR DISCLOSURE OF PROPRIETARY INFORMATION  
This document contains proprietary information which is the sole property of Werlatone, Inc.

REVISION HISTORY					
DATE	REV	REVISION RECORD	AUTH	CHK	APPV
8/20/09	-	INITIAL RELEASE	NH	BW	BW

## NOTES:

1. MATERIAL: ALUMINUM 6061-T6
2. FINISH: CHEM FILM PER MIL- DTL- 5541F (YELLOW IRIDITE)
3. CONNECTORS: SMA RIGHT ANGLE (Female)



UNLESS OTHERWISE SPECIFIED		DWN	DATE	<b>WERLATONE   SINCE 1965</b> 2095 Route 22 Brewster, NY 10509			
* INTERPRET DRAWING IAW MIL-STD-100 * DIMENSIONING PER ASME Y14.5M-2009 * DIMENSIONAL LIMITS APPLY BEFORE PROCESSES * DIMENSIONS ARE IN INCHES * TOLERANCES: ANGLES = 2° XXX = .005 .XX = .015 * HOLE TOLERANCES = .004/- .001 * REMOVE ALL BURRS AND SHARP EDGES .01 R MAX * CONCENTRICITY MACHINED DIA1 .002 FIM * MACHINE TOOL MISMATCH .003 MAX THIRD ANGLE PROJECTION		CHK	DATE				
		ENGR	DATE	TITLE			
		NH	8/20/2009	OUTLINE			
		MFR	DATE	USED ON			
		BW	8/20/2009	D8444 - 102RT			
		QA	DATE	SIZE	CAGE CODE	DWG NO	REV
		BW	8/20/2009	28812	20540-500		
		RLSE	DATE	SCALE			
				1:1	SHEET 1 OF 1		

Restriction on use, duplication, or disclosure of proprietary information. This document contains proprietary information which is the sole property of Werlatone, Inc.  
Werlatone, Inc. 17 Jon Barrett Road Patterson, NY 12563 T:(845)278-2220 F:(845)278-3440 sales@werlatone.com www.werlatone.com