


PRODUCT DATA SHEET
D8032

Werlatone® Mismatch Tolerant® High Power Broadband RF Combiners and Dividers will operate into High Load VSWR Conditions, for extended periods, without damage. With extensive experience as a supplier to military platforms worldwide **Werlatone®** designs its High Power Broadband Combiners, Power Dividers, and N-Way Combiners for proper operation in the most stringent operating conditions.

Features:

High Power Wide Bandwidths Small Size High Isolation Custom Designs Available

Electrical Specifications:

Frequency: 25 - 450 MHz
 Power: 200 W CW
 Insertion Loss: 0.75 dB Max.
 VSWR: 1.35:1 Max.
 Phase Balance: ± 5° Max.
 Amplitude Balance: 0.3 dB Max.
 Isolation: 20 dB Min.

Mechanical Specifications:

Type: Connectorized
 Material: Aluminum 6061-T6
 Surface Finish: Chem. Film Per MIL-DTL-5541F Type I Class 3 (Yellow Iridite) RoHS Compliant Available
 Operating Temperature: -55°C to +75°C
 Storage Temperature: -60°C to +85°C
 Size: 5.4 x 3.0 x 1.0"

Connector Configurations:

Model	Sum Port (J1)	Input/Output (J2-J4)
D8032-10	N Female	N Female
D8032-102	SMA	SMA
D8032-302	TNC Female	SMA

When specified, Werlatone® High Power Combiners and RF Dividers will tolerate full input failures on adjacent port(s). This insures that remaining transmitter(s) may continue to operate until the amplifier system can be properly shut down for maintenance. Choose your specific connector configuration from a list of options. Additional connector configurations for our High Power RF Combiners/Dividers, Non-Coherent Combiners, and N-Way Combiners are available upon request.

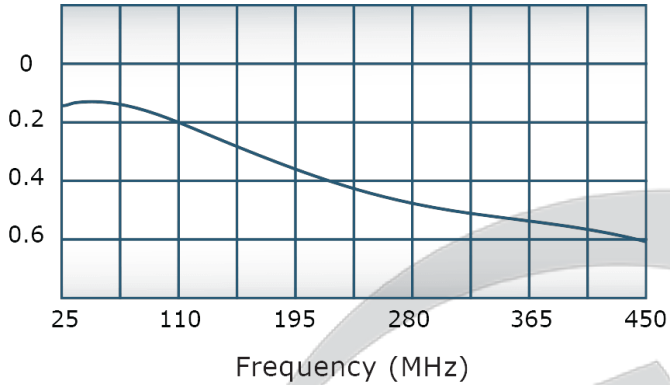


PRODUCT DATA SHEET

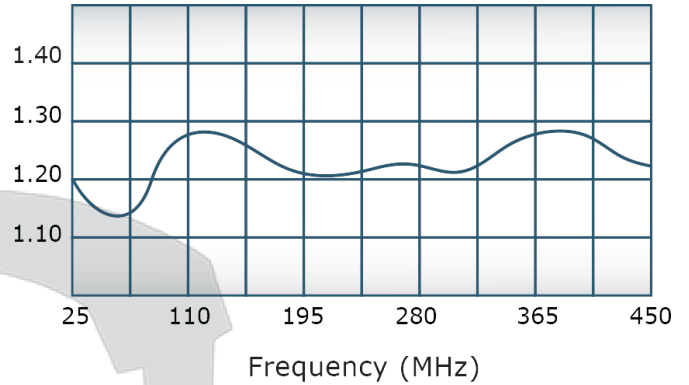
D8032

Performance Data (Specifications subject to change without notice):

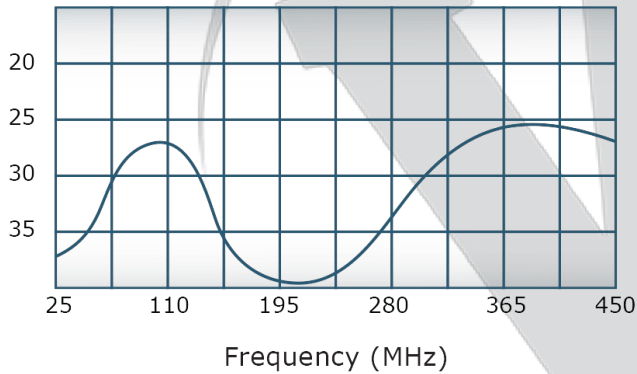
Insertion Loss:



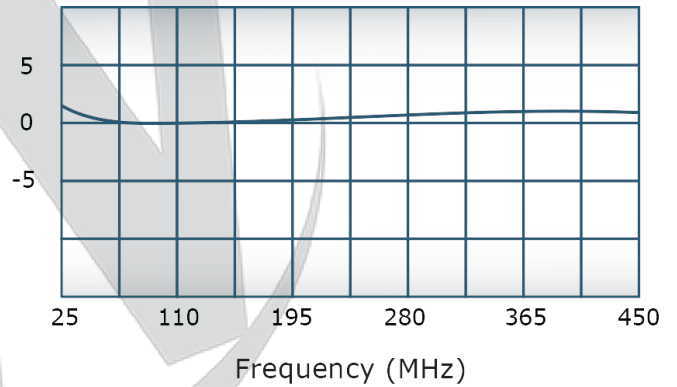
VSWR:



Isolation:



Phase Balance:



Restriction on use, duplication, or disclosure of proprietary information. This document contains proprietary information which is the sole property of

Werlatone, Inc.

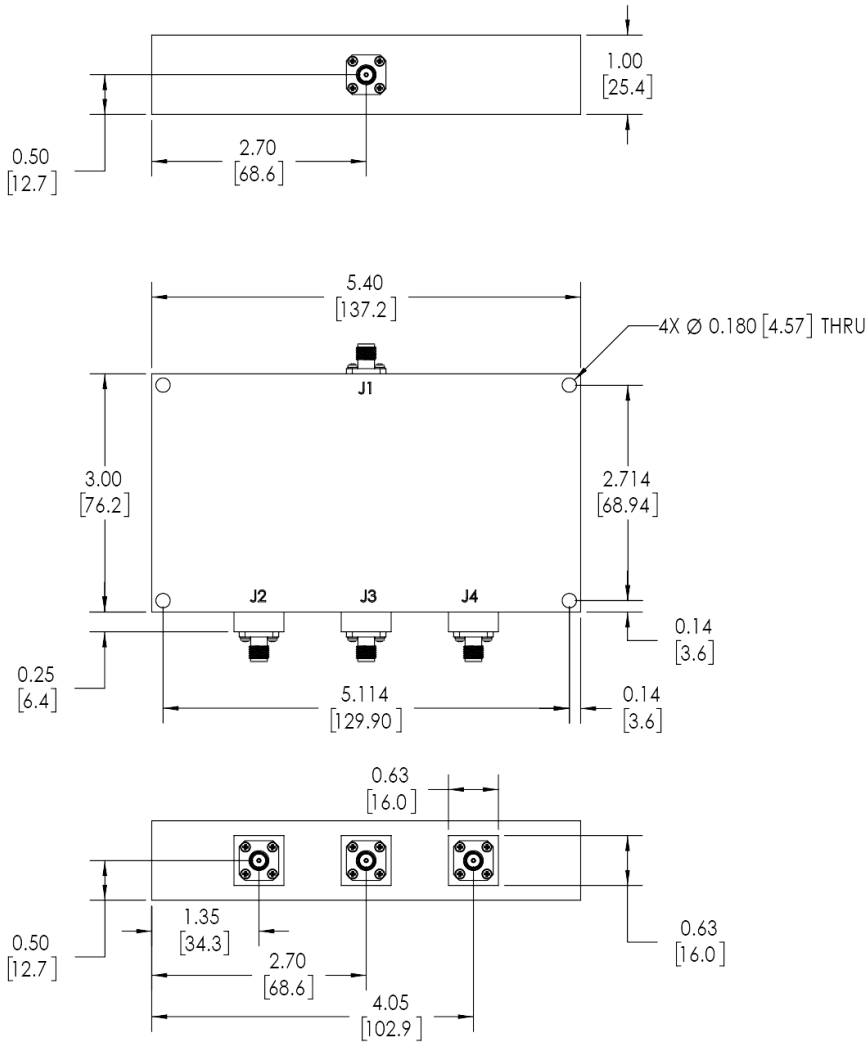
Werlatone, Inc. 17 Jon Barrett Road Patterson, NY 12563 T:(845)278-2220 F:(845)278-3440 sales@werlatone.com www.werlatone.com

RESTRICTION ON USE, DUPLICATION OR DISCLOSURE OF PROPRIETARY INFORMATION
 This document contains proprietary information which is the sole property of Werlatone, Inc.

REVISION HISTORY			
REV.	REVISION RECORD	DATE	APPROVED
A	ECN 9696	11/25/2019	RB

NOTES: UNLESS OTHERWISE SPECIFIED

- MATERIAL: ALUMINUM 6061-T6**
- FINISH: CHEM FILM PER MIL-DTL-5541F TYPE I CLASS 3 (YELLOW IRIDITE)**
- CONNECTORS:
J1-J4: SMA FEMALE**



UNLESS OTHERWISE SPECIFIED	DWN	DATE	SD	DATE	W	WERLATONE SINCE 1965	17 Jon Barrett Rd Patterson, NY 12563
INTERPRET DRAWING IAW MIL-STD-100	CHK	DATE	CS	DATE	TITLE		
DIMENSIONS PER ASME Y14.5M-2009	ENGR	DATE	DATE	DATE	OUTLINE		
PARENTHEetical INFO FOR REF ONLY	DATE	DATE	DATE	DATE	SIZE	CAGE CODE	DWG NO
DIMENSIONS ARE IN INCHES	DATE	DATE	DATE	DATE	B	20403-500	REV
DIMENSIONAL LIMITS APPLY BEFORE FINISHES	DATE	DATE	DATE	DATE	SCALE	1:1.5	SHEET 1 OF 1
TOLERANCES: ANGLES ± 2° 3 PL ± .005 [13] 2 PL ± .015 [38]	DATE	DATE	DATE	DATE	APPLICATION	USED ON	THIRD ANGLE PROJECTION
REMOVE ALL BURRS AND SHARP EDGES R.01 MAX	DATE	DATE	DATE	DATE			
CONCENTRICITY MACHINED DIA: .002 FIM	DATE	DATE	DATE	DATE			
MACHINE TOOL MISMATCH .003 DIA.	DATE	DATE	DATE	DATE			

Restriction on use, duplication, or disclosure of proprietary information. This document contains proprietary information which is the sole property of Werlatone, Inc.
 Werlatone, Inc. 17 Jon Barrett Road Patterson, NY 12563 T:(845)278-2220 F:(845)278-3440 sales@werlatone.com www.werlatone.com