



## PRODUCT DATA SHEET

D6617

**Werlatone® Mismatch Tolerant®** High Power Broadband RF Combiners and Dividers will operate into High Load VSWR Conditions, for extended periods, without damage. With extensive experience as a supplier to military platforms worldwide **Werlatone®** designs its High Power Broadband Combiners, Power Dividers, and N-Way Combiners for proper operation in the most stringent operating conditions.

### Features:

High Power      Wide Bandwidths      Small Size      High Isolation      Custom Designs Available

### Electrical Specifications:

Frequency:                      30 - 88 MHz  
 Power:                              200 W CW  
 Insertion Loss:                0.25 dB Max.  
 VSWR:                              1.25:1 Max.  
 Phase Balance:                ± 4° Max.  
 Amplitude Balance:         0.1 dB Max.  
 Isolation:                         30 dB Min.

### Mechanical Specifications:

Type:                                Connectorized  
 Material:                         Aluminum 6061-T6  
 Surface Finish:                Chem. Film Per MIL-DTL-5541F Type I Class 3 (Yellow Iridite) RoHS Compliant Available  
 Operating Temperature:     -55°C to +75°C  
 Storage Temperature:        -60°C to +85°C  
 Weight:                             1.5 lbs.  
 Size:                                 3.0 x 3.0 x 2.25"

### Connector Configurations:

Model	Sum Port (J1)	Input/Output (J2)	Input/Output (J3)
D6617-10	N Female	N Female	N Female
D6617-12	N Female	SMA	SMA
D6617-13	N Female	BNC	BNC
D6617-102	SMA	SMA	SMA
D6617-113	BNC	BNC	BNC

**When specified, Werlatone® High Power Combiners and RF Dividers** will tolerate full input failures on adjacent port(s). This insures that remaining transmitter(s) may continue to operate until the amplifier system can be properly shut down for maintenance. Choose your specific connector configuration from a list of options. Additional connector configurations for our High Power RF Combiners/Dividers, Non-Coherent Combiners, and N-Way Combiners are available upon request.

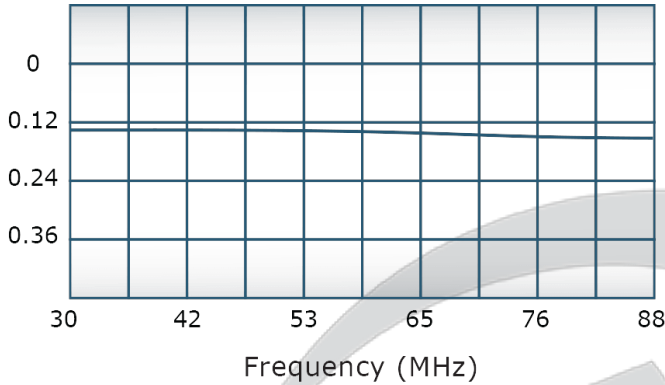


PRODUCT DATA SHEET

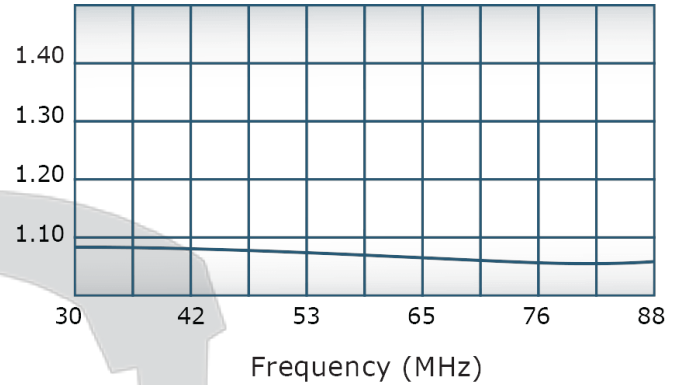
D6617

**Performance Data (Specifications subject to change without notice):**

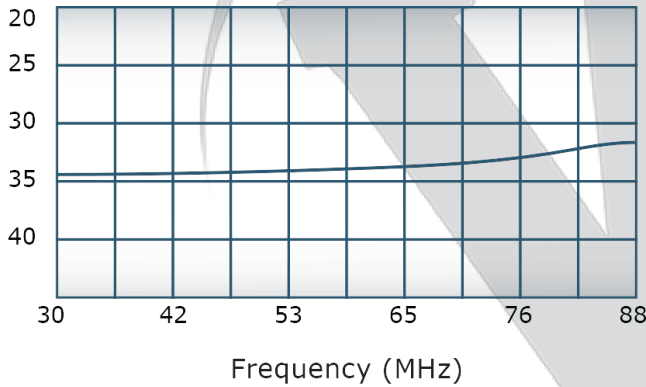
Insertion Loss:



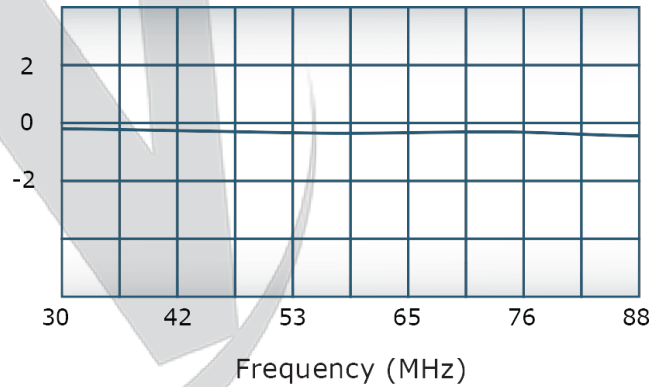
VSWR:



Isolation:



Phase Balance:



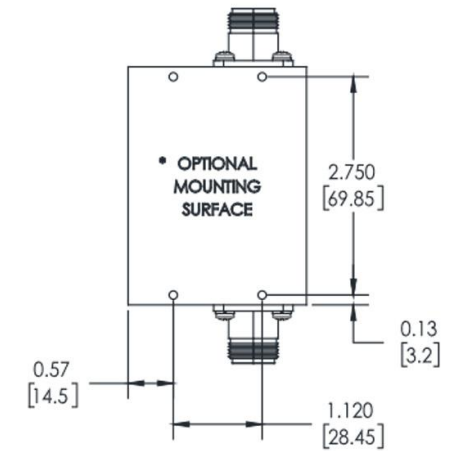
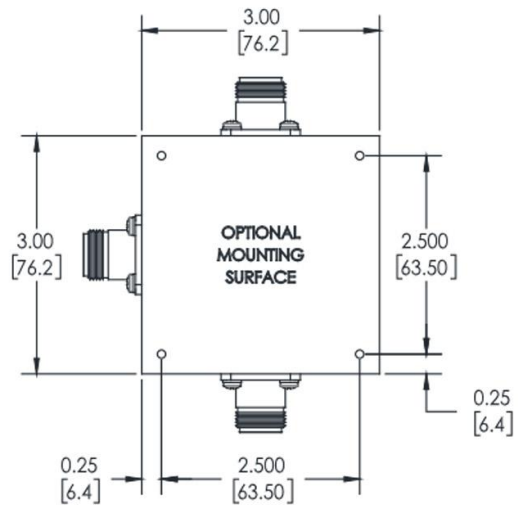
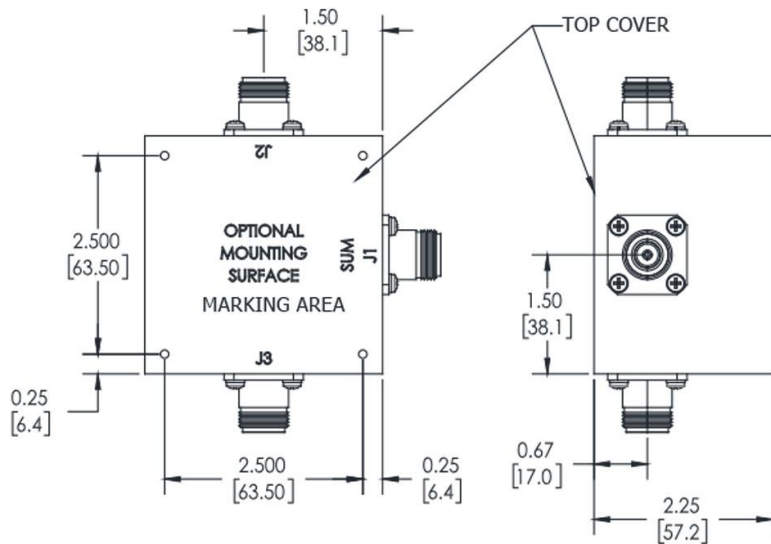
Restriction on use, duplication, or disclosure of proprietary information. This document contains proprietary information which is the sole property of

Werlatone, Inc.

Werlatone, Inc. 17 Jon Barrett Road Patterson, NY 12563 T:(845)278-2220 F:(845)278-3440 sales@werlatone.com www.werlatone.com

**RESTRICTION ON USE, DUPLICATION OR DISCLOSURE OF PROPRIETARY INFORMATION**  
 This document contains proprietary information which is the sole property of Werlatone, Inc.

REVISION HISTORY			
REV.	REVISION RECORD	DATE	APPROVED
A	ECN 1545	9/23/98	CS
B	ECN 4261	6/18/07	JE
C	ECN 9696	7/16/2019	RB



**NOTES: UNLESS OTHERWISE SPECIFIED**

- MATERIAL: ALUMINUM 6061-T6**
- FINISH: CHEM FILM PER MIL-DTL-5541F CLASS I TYPE 3 (YELLOW IRIDITE)**
- CONNECTORS:**  
 J1-J3: N FEMALE  
 \* USE THIS SURFACE FOR NON-COHERENT COMBINING
- ALL MOUNTING HOLES ARE THREADED 6-32 X .25 DEEP (12X)**

UNLESS OTHERWISE SPECIFIED		DWN	DATE	7/16/2019	WERLATONE SINCE 1965 17 Jon Barrett Rd Patterson, NY 12563
• INTERPRET DRAWING SAWS MIL-STD-100 • DIMENSIONING PER ASME Y14.5M-2009 • PARENTHESES FOR REF ONLY • DIMENSIONS ARE IN INCHES • DIMENSIONAL LIMITS APPLY BEFORE PROCESSES • TOLERANCES: ANGLES ± 2° 3 PL ± .005 (13) 2 PL ± .015 (20) • REMOVE ALL BURRS AND SHARP EDGES R.03 MAX • CONCENTRICITY MACHINED DIA: .002 FIM • MACHINE TOOL WORKMANSHIP .003 MAX		SD	DATE	7/16/2019	
NEXT ASSY		CS	DATE	7/16/2019	<b>OUTLINE</b> SIZE CAGE CODE DWG NO B 10034-500
USED ON		ENGR	DATE		
APPLICATION		RFGR	DATE		SCALE: 1:1.5 SHEET 1 OF 1
THIRD ANGLE PROJECTION		QA	DATE		
		RLSE	DATE		

Restriction on use, duplication, or disclosure of proprietary information. This document contains proprietary information which is the sole property of Werlatone, Inc.  
 Werlatone, Inc. 17 Jon Barrett Road Patterson, NY 12563 T:(845)278-2220 F:(845)278-3440 sales@werlatone.com www.werlatone.com