


PRODUCT DATA SHEET
D5253

Werlatone® Mismatch Tolerant® High Power Broadband RF Combiners and Dividers will operate into High Load VSWR Conditions, for extended periods, without damage. With extensive experience as a supplier to military platforms worldwide **Werlatone®** designs its High Power Broadband Combiners, Power Dividers, and N-Way Combiners for proper operation in the most stringent operating conditions.

Features:

High Power Wide Bandwidths Small Size High Isolation Custom Designs Available

Electrical Specifications:

Frequency: 1 - 30 MHz
 Power: 200 W CW
 Insertion Loss: 0.3 dB Max.
 VSWR: 1.30:1 Max.
 Phase Balance: $\pm 5^\circ$ Max.
 Amplitude Balance: 0.2 dB Max.
 Isolation: 20 dB Min.

Mechanical Specifications:

Type: Connectorized
 Material: Aluminum 6061-T6
 Surface Finish: Chem. Film Per MIL-DTL-5541F Type I Class 3 (Yellow Iridite) RoHS Compliant Available Clear Iridite Compliant Available
 Operating Temperature: -55°C to +75°C
 Storage Temperature: -60°C to +85°C
 Weight: 1 lb
 Size: 3.0 x 3.0 x 2.25"

Connector Configurations:

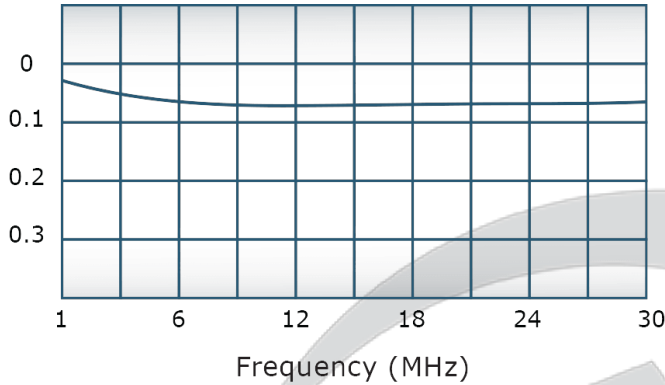
Model	Sum Port (J1)	Input/Output (J2)	Input/Output (J3)
D5253-10	N Female	N Female	N Female
D5253-12	N Female	SMA	SMA
D5253-102	SMA	SMA	SMA

When specified, Werlatone® High Power Combiners and RF Dividers will tolerate full input failures on adjacent port(s). This insures that remaining transmitter(s) may continue to operate until the amplifier system can be properly shut down for maintenance. Choose your specific connector configuration from a list of options. Additional connector configurations for our High Power RF Combiners/Dividers, Non-Coherent Combiners, and N-Way Combiners are available upon request.

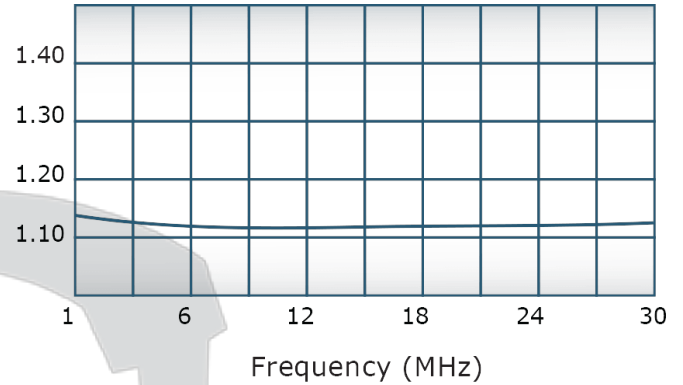


Performance Data (Specifications subject to change without notice):

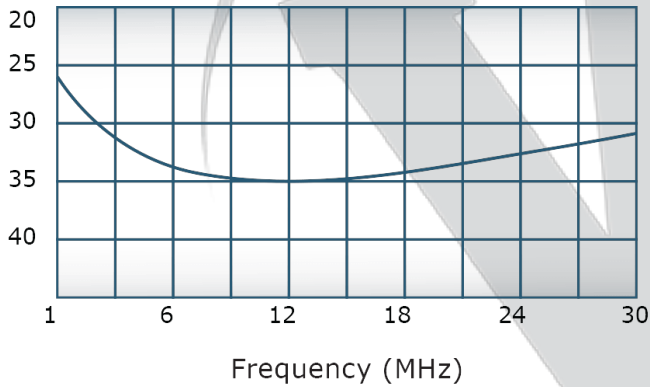
Insertion Loss:



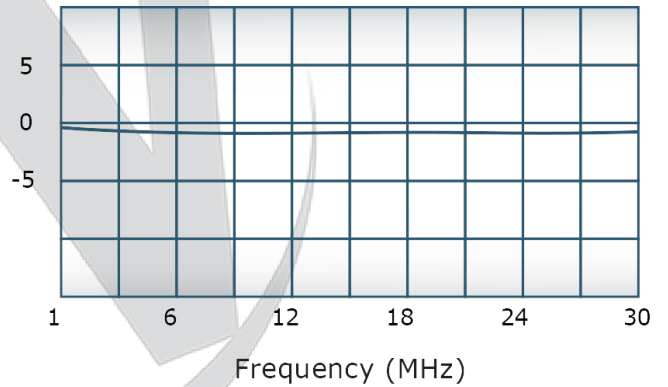
VSWR:



Isolation:



Phase Balance:



Restriction on use, duplication, or disclosure of proprietary information. This document contains proprietary information which is the sole property of

Werlatone, Inc.

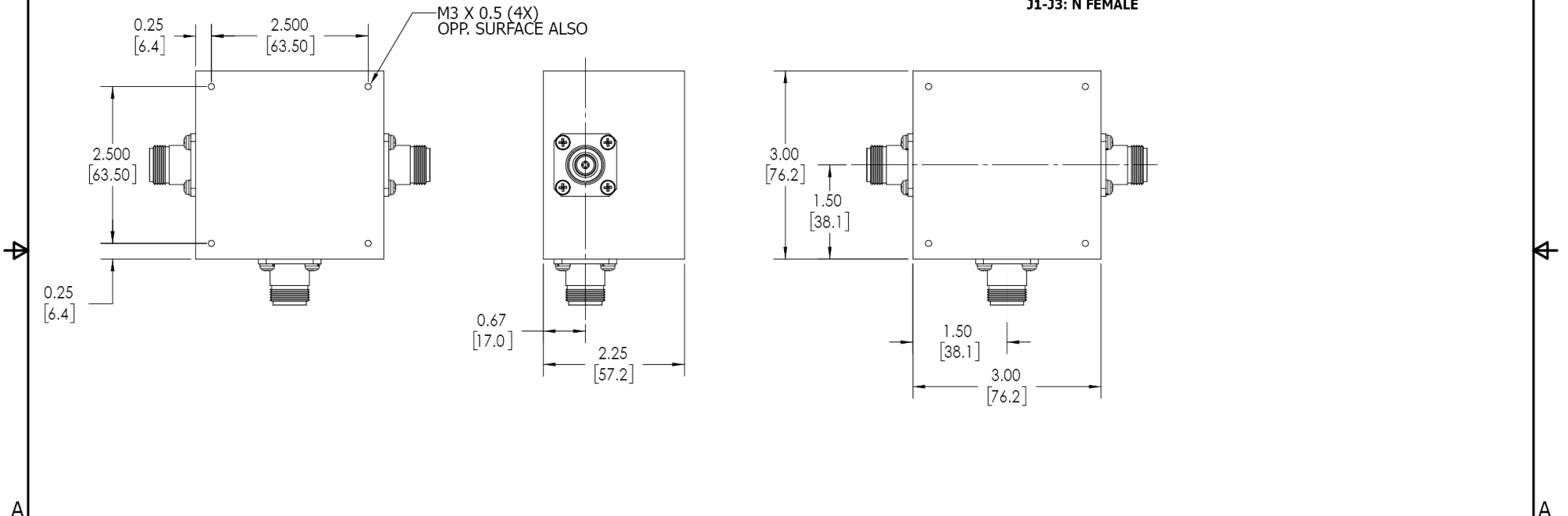
Werlatone, Inc. 17 Jon Barrett Road Patterson, NY 12563 T:(845)278-2220 F:(845)278-3440 sales@werlatone.com www.werlatone.com

RESTRICTION ON USE, DUPLICATION OR DISCLOSURE OF PROPRIETARY INFORMATION
 This document contains proprietary information which is the sole property of Werlatone, Inc.

REVISION HISTORY			
REV.	REVISION RECORD	DATE	APPROVED
A	ECN 1545	9/98	CS
B	ECN 4261	6/18/07	JE
C	ECN 9696	11/25/2019	RB

NOTES: UNLESS OTHERWISE SPECIFIED

- MATERIAL: ALUMINUM 6061-T6**
- FINISH: CHEM FILM PER MIL-DTL-5541F TYPE I CLASS 3 (YELLOW IRIDITE)**
- CONNECTORS: J1-J3: N FEMALE**



UNLESS OTHERWISE SPECIFIED	DWN	DATE	17 Jon Barrett Rd Patterson, NY 12563
INTERPRET DRAWING IAW MIL-STD-100	SD	11/25/2019	W WERLATONE SINCE 1965
DIMENSIONS PER ASME Y14.5M-2009	CHK	DATE	
PARENTHEetical INFO FOR REF ONLY	CS	11/25/2019	TITLE
DIMENSIONS ARE IN INCHES	ENGR	DATE	OUTLINE
DIMENSIONAL LIMITS APPLY BEFORE PRIOR PROCESSES	MFR	DATE	SIZE CAGE CODE DWG NO
TOLERANCES:	QA	DATE	B 10034-500
ANGLES = 2°	RLSE	DATE	REV
3 PL ± .005 (.13)			C
2 PL ± .015 (.38)			SCALE
REMOVE ALL BURRS AND SHARP EDGES R.01 MAX			1:1.5
CONCENTRICITY MACHINED DIA: .002 FIM			SHEET 1 OF 1
MACHINE TOOL MISMATCH .003 DIA.			

Restriction on use, duplication, or disclosure of proprietary information. This document contains proprietary information which is the sole property of Werlatone, Inc.
 Werlatone, Inc. 17 Jon Barrett Road Patterson, NY 12563 T:(845)278-2220 F:(845)278-3440 sales@werlatone.com www.werlatone.com