



PRODUCT DATA SHEET

D5025

Werlatone® Mismatch Tolerant® High Power Broadband RF Combiners and Dividers will operate into High Load VSWR Conditions, for extended periods, without damage. With extensive experience as a supplier to military platforms worldwide **Werlatone®** designs its High Power Broadband Combiners, Power Dividers, and N-Way Combiners for proper operation in the most stringent operating conditions.

Features:

High Power Wide Bandwidths Small Size High Isolation Custom Designs Available

Electrical Specifications:

Frequency: 0.5 - 1.7 MHz
 Power: 100 W CW
 Insertion Loss: 0.15 dB Max.
 VSWR: 1.20:1 Max.
 Phase Balance: ± 4° Max.
 Amplitude Balance: 0.2 dB Max.
 Isolation: 25 dB Min.

Mechanical Specifications:

Type: Connectorized
 Material: Aluminum 6061-T6
 Surface Finish: Chem. Film Per MIL-DTL-5541F Type I Class 3 (Yellow Iridite) RoHS Compliant Available
 Operating Temperature: -55°C to +75°C
 Storage Temperature: -60°C to +85°C
 Size: 3.0 x 3.0 x 2.25"

Connector Configurations:

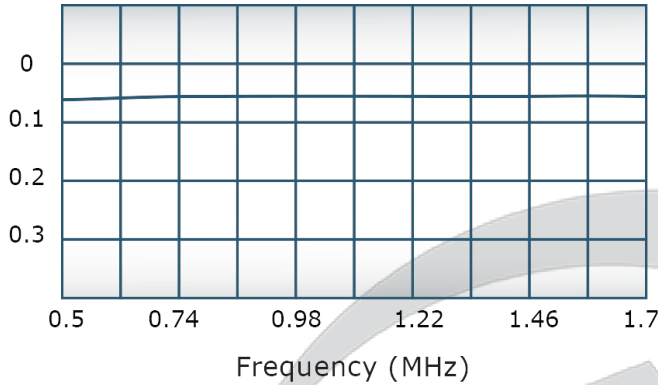
| Model | Sum Port (J1) | Input/Output (J2) | Input/Output (J3) |
|-----------|---------------|-------------------|-------------------|
| D5025-10 | N Female | N Female | N Female |
| D5025-12 | N Female | SMA | SMA |
| D5025-102 | SMA | SMA | SMA |

When specified, Werlatone® High Power Combiners and RF Dividers will tolerate full input failures on adjacent port(s). This insures that remaining transmitter(s) may continue to operate until the amplifier system can be properly shut down for maintenance. Choose your specific connector configuration from a list of options. Additional connector configurations for our High Power RF Combiners/Dividers, Non-Coherent Combiners, and N-Way Combiners are available upon request.

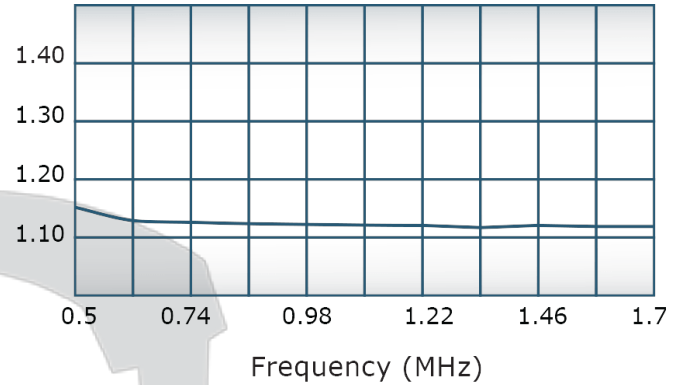


Performance Data (Specifications subject to change without notice):

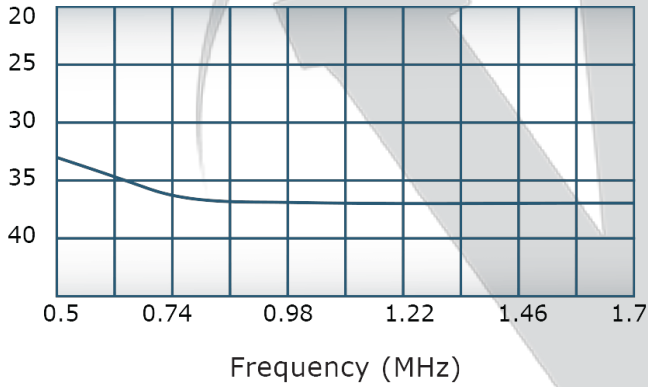
Insertion Loss:



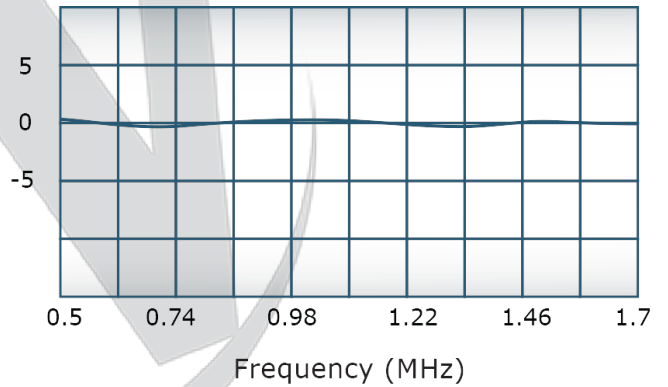
VSWR:



Isolation:



Phase Balance:



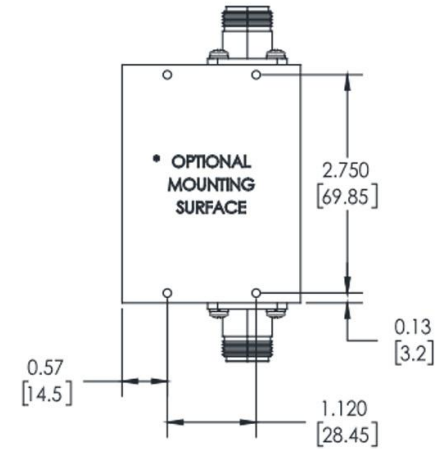
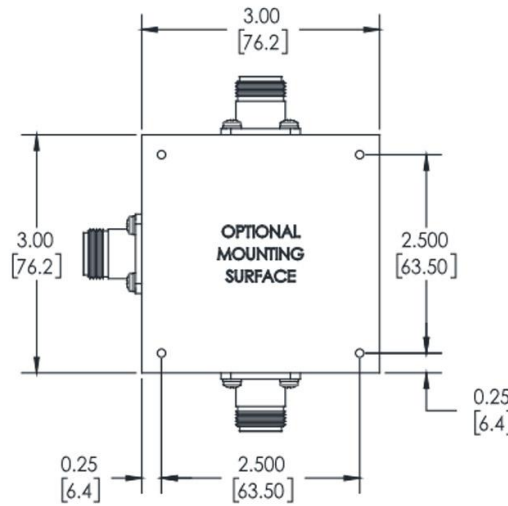
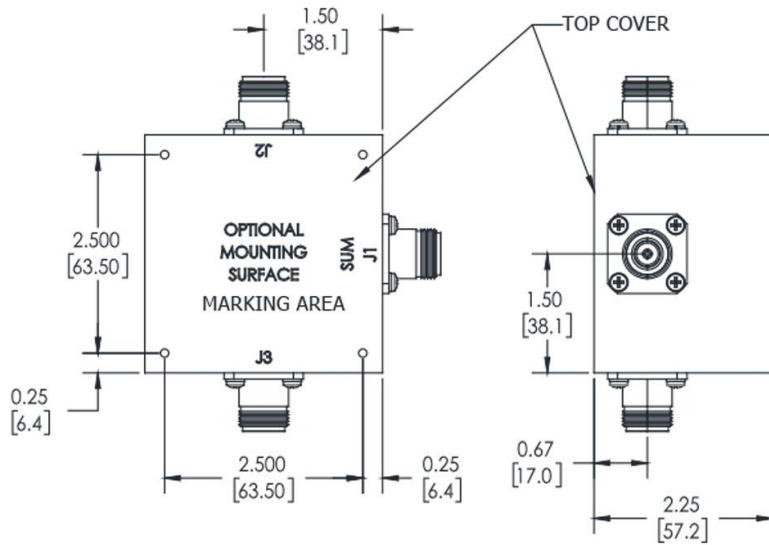
Restriction on use, duplication, or disclosure of proprietary information. This document contains proprietary information which is the sole property of

Werlatone, Inc.

Werlatone, Inc. 17 Jon Barrett Road Patterson, NY 12563 T:(845)278-2220 F:(845)278-3440 sales@werlatone.com www.werlatone.com

RESTRICTION ON USE, DUPLICATION OR DISCLOSURE OF PROPRIETARY INFORMATION
 This document contains proprietary information which is the sole property of Werlatone, Inc.

| REVISION HISTORY | | | |
|------------------|-----------------|-----------|----------|
| REV. | REVISION RECORD | DATE | APPROVED |
| A | ECN 1545 | 9/23/98 | CS |
| B | ECN 4261 | 6/18/07 | JE |
| C | ECN 9696 | 7/16/2019 | RB |



NOTES: UNLESS OTHERWISE SPECIFIED

- MATERIAL: ALUMINUM 6061-T6**
- FINISH: CHEM FILM PER MIL-DTL-5541F CLASS I TYPE 3 (YELLOW IRIDITE)**
- CONNECTORS:**
 J1-J3: N FEMALE
 * USE THIS SURFACE FOR NON-COHERENT COMBINING
- ALL MOUNTING HOLES ARE THREADED 6-32 X .25 DEEP (12X)**

| | | | | |
|---|--|------|-----------|--|
| UNLESS OTHERWISE SPECIFIED | | DWN | DATE | WERLATONE SINCE 1965 17 Jon Barrett Rd Patterson, NY 12563 |
| • INTERPRET DRAWING SAWS MIL-STD-100 • DIMENSIONING PER ASME Y14.5M-2009 • PARENTHESES FOR REF ONLY • DIMENSIONS ARE IN INCHES • DIMENSIONAL LIMITS APPLY BEFORE PROCESSES • TOLERANCES: ANGLES ± 2° 3 PL ± .005 (13) 2 PL ± .015 (20) • REMOVE ALL BURRS AND SHARP EDGES R.03 MAX • CONCENTRICITY MACHINED DIA: .002 FIM • MACHINE TOOL WORKMANSHIP .003 MAX. | | SD | 7/16/2019 | |
| NEXT ASSY | | CHK | DATE | OUTLINE SIZE CAGE CODE DWG NO B 10034-500 |
| USED ON | | ENGR | DATE | |
| APPLICATION | | NFRG | DATE | SCALE: 1:1.5 SHEET 1 OF 1 |
| THIRD ANGLE PROJECTION | | QA | DATE | |
| | | RLSE | DATE | |

Restriction on use, duplication, or disclosure of proprietary information. This document contains proprietary information which is the sole property of Werlatone, Inc.
 Werlatone, Inc. 17 Jon Barrett Road Patterson, NY 12563 T:(845)278-2220 F:(845)278-3440 sales@werlatone.com www.werlatone.com