


PRODUCT DATA SHEET
D4047

Werlatone® Mismatch Tolerant® High Power Broadband RF Combiners and Dividers will operate into High Load VSWR Conditions, for extended periods, without damage. With extensive experience as a supplier to military platforms worldwide **Werlatone®** designs its High Power Broadband Combiners, Power Dividers, and N-Way Combiners for proper operation in the most stringent operating conditions.

Features:

High Power Wide Bandwidths Small Size High Isolation Custom Designs Available

Electrical Specifications:

Frequency: 420 - 450 MHz
 Power: 2000 W CW
 Insertion Loss: 0.3 dB Max.
 VSWR: 1.35:1 Max.
 Phase Balance: $\pm 4^\circ$ Max.
 Amplitude Balance: 0.2 dB Max.
 Isolation: 20 dB Min.

Mechanical Specifications:

Type: Connectorized
 Material: Aluminum 6061-T6
 Surface Finish: Chem. Film Per MIL-DTL-5541F Type I Class 3 (Yellow Iridite) RoHS Compliant Available
 Operating Temperature: -55°C to +75°C
 Storage Temperature: -60°C to +85°C
 Weight: 3.0 lbs.
 Size: 6.0 x 5.0 x 2.25"

Connector Configurations:

Model	Sum Port (J5)	Input/Output (J1-J4)
D4047-10	N Female	N Female
D4047-20	7/16 Female	N Female

When specified, Werlatone® High Power Combiners and RF Dividers will tolerate full input failures on adjacent port(s). This insures that remaining transmitter(s) may continue to operate until the amplifier system can be properly shut down for maintenance. Choose your specific connector configuration from a list of options. Additional connector configurations for our High Power RF Combiners/Dividers, Non-Coherent Combiners, and N-Way Combiners are available upon request.

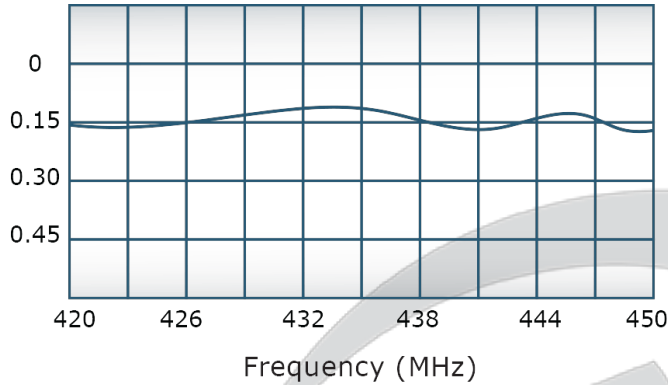


PRODUCT DATA SHEET

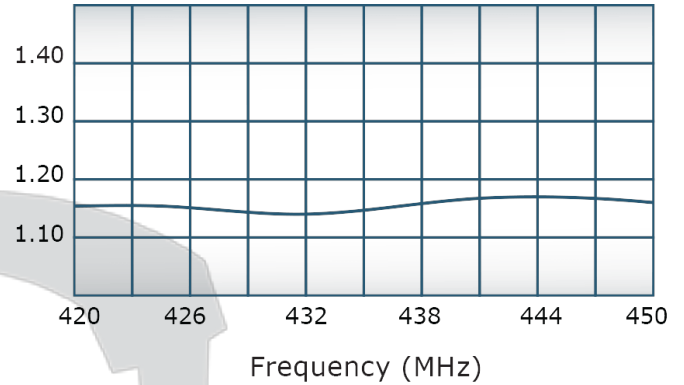
D4047

Performance Data (Specifications subject to change without notice):

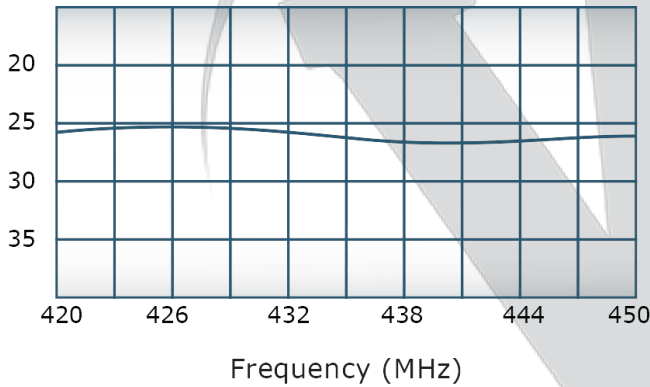
Insertion Loss:



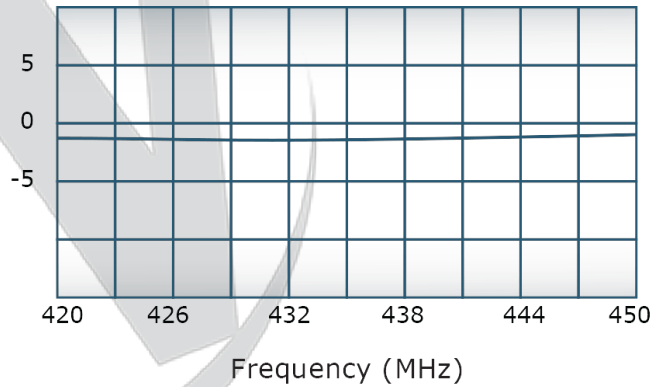
VSWR:



Isolation:



Phase Balance:



Restriction on use, duplication, or disclosure of proprietary information. This document contains proprietary information which is the sole property of

Werlatone, Inc.

Werlatone, Inc. 17 Jon Barrett Road Patterson, NY 12563 T:(845)278-2220 F:(845)278-3440 sales@werlatone.com www.werlatone.com

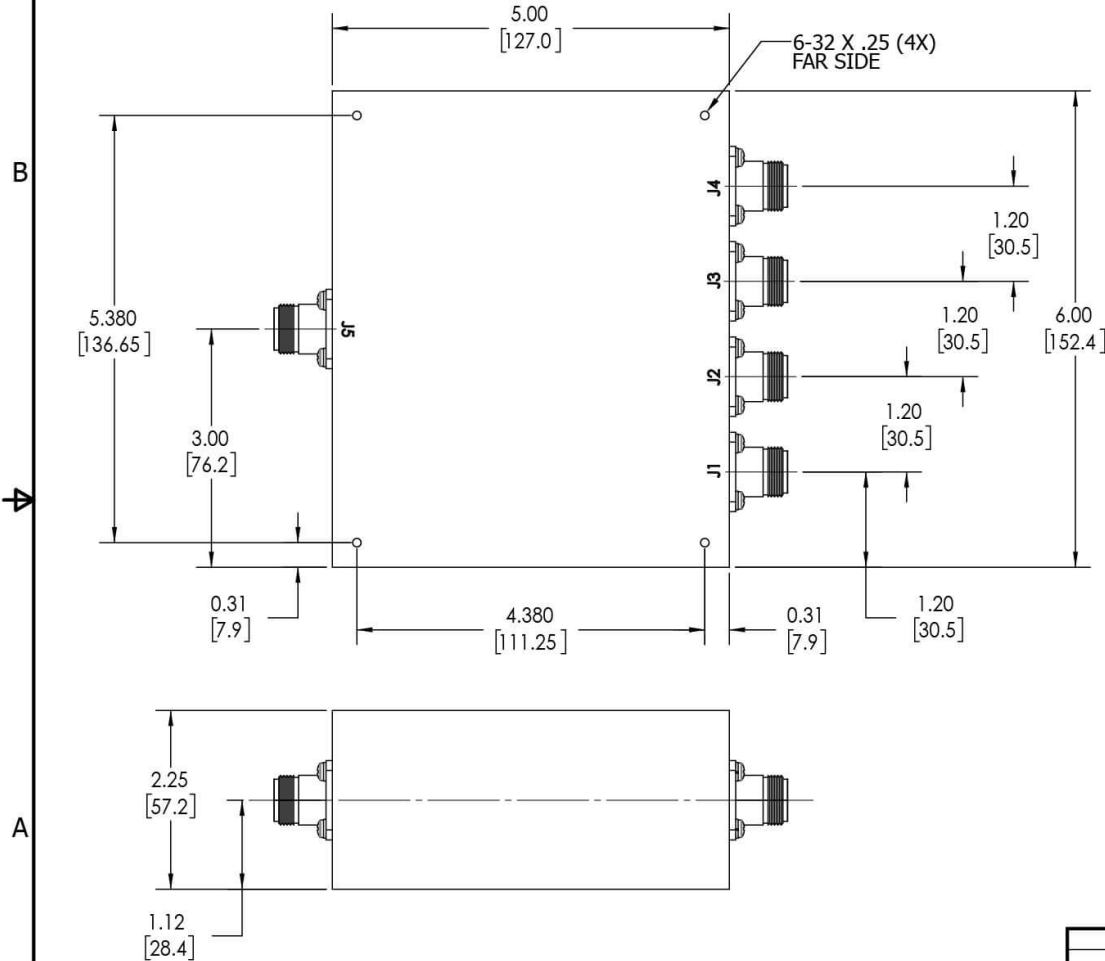
RESTRICTION ON USE, DUPLICATION OR DISCLOSURE OF PROPRIETARY INFORMATION
 This document contains proprietary information which is the sole property of Werlatone, Inc.

REVISION HISTORY			
REV.	REVISION RECORD	DATE	APPROVED
A	ECN 9696	9/10/2019	RB

NOTES: UNLESS OTHERWISE SPECIFIED

- MATERIAL: ALUMINUM 6061-T6**
- FINISH: CHEM FILM PER MIL-DTL-5541F TYPE I CLASS 3 (YELLOW IRIDITE)**
- CONNECTORS:**
J1-J5: N FEMALE

*** MUST BE MOUNTED TO HEATSINK WITH 4 MOUNTING SCREWS. A THERMAL CONDUCTIVE GREASE SHOULD BE USED. UNBALANCED POWER NOT TO EXCEED 200 WATTS AT 60°C BASEPLATE TEMP.**



UNLESS OTHERWISE SPECIFIED		DWN	DATE	17 Jon Barrett Rd Patterson, NY 12563
INTERPRET DRAWING IN ACCORDANCE WITH MIL-STD-100	SD	9/10/2019	DATE	
DIMENSIONS FOR ASSEMBLY PER MIL-STD-100	CHK	DATE	DATE	WERLATONE SINCE 1965
PARENTHESES FOR REFERENCE ONLY	CS	9/10/2019	DATE	TITLE
DIMENSIONS ARE IN INCHES	ENGR	DATE	DATE	OUTLINE
DIMENSIONAL LINES APPLY BEFORE PROCESSES	INFR	DATE	DATE	SIZE CAGE CODE DWG NO
TOLERANCES:	QA	DATE	DATE	B 10422-500 A
ANGLES ± 2°	RLSE	DATE	DATE	SCALE 1:1.5 SHEET 1 OF 1
3 PL ± .005 [13]				
2 PL ± .015 [38]				
REMOVE ALL BURRS AND SHARP EDGES R.01 MAX				
CONCENTRICITY MACHINED DIA: .002 FIM				
MACHINE TOOL MISMATCH .003 MAX				
NEXT ASSY	USED ON	APPLICATION	THIRD ANGLE PROJECTION	

Restriction on use, duplication, or disclosure of proprietary information. This document contains proprietary information which is the sole property of Werlatone, Inc.
 Werlatone, Inc. 17 Jon Barrett Road Patterson, NY 12563 T:(845)278-2220 F:(845)278-3440 sales@werlatone.com www.werlatone.com