
PRODUCT DATA SHEET
D10119

Werlatone® Mismatch Tolerant® High Power Broadband RF Combiners and Dividers will operate into High Load VSWR Conditions, for extended periods, without damage. With extensive experience as a supplier to military platforms worldwide **Werlatone®** designs its High Power Broadband Combiners, Power Dividers, and N-Way Combiners for proper operation in the most stringent operating conditions.

Features:

High Power Wide Bandwidths Small Size Custom Designs Available

Electrical Specifications:

Frequency: 700 - 4200 MHz
 Power: 2000 W CW
 Insertion Loss: 0.3 dB Max.
 VSWR: 1.35:1 Max.
 Phase Balance: $\pm 6^\circ$ Max.
 Amplitude Balance: 0.3 dB Max.
 Isolation: Non-Isolated

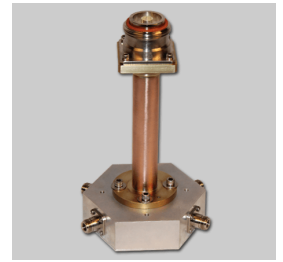
Mechanical Specifications:

Type: Connectorized
 Material: Aluminum 6061-T6
 Surface Finish: Chem. Film Per MIL-DTL-5541F Type I Class 3 (Yellow Iridite) RoHS Compliant Available
 Operating Temperature: -55°C to +75°C
 Storage Temperature: -60°C to +85°C
 Weight: 5.0 lbs.
 Size:

Connector Configurations:

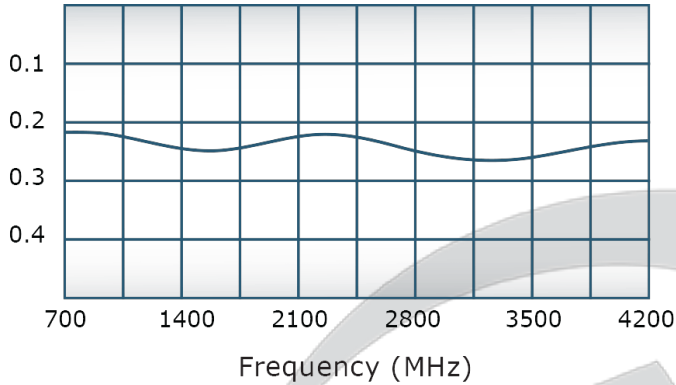
Model	Sum Port (J1)	Input/Output (J2-J5)
D10119-500	13-30 DIN (F)	N Female

When specified, Werlatone® High Power Combiners and RF Dividers will tolerate full input failures on adjacent port(s). This insures that remaining transmitter(s) may continue to operate until the amplifier system can be properly shut down for maintenance. Choose your specific connector configuration from a list of options. Additional connector configurations for our High Power RF Combiners/Dividers, Non-Coherent Combiners, and N-Way Combiners are available upon request.

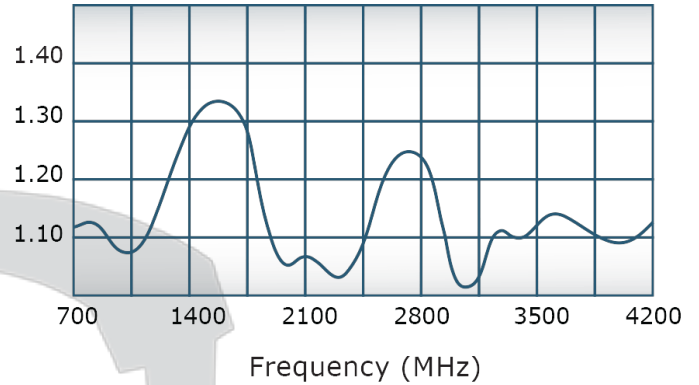


Performance Data (Specifications subject to change without notice):

Insertion Loss:



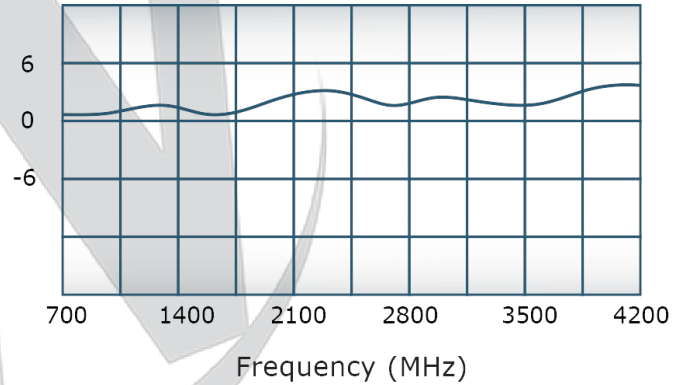
VSWR:



Since 1965:



Phase Balance:



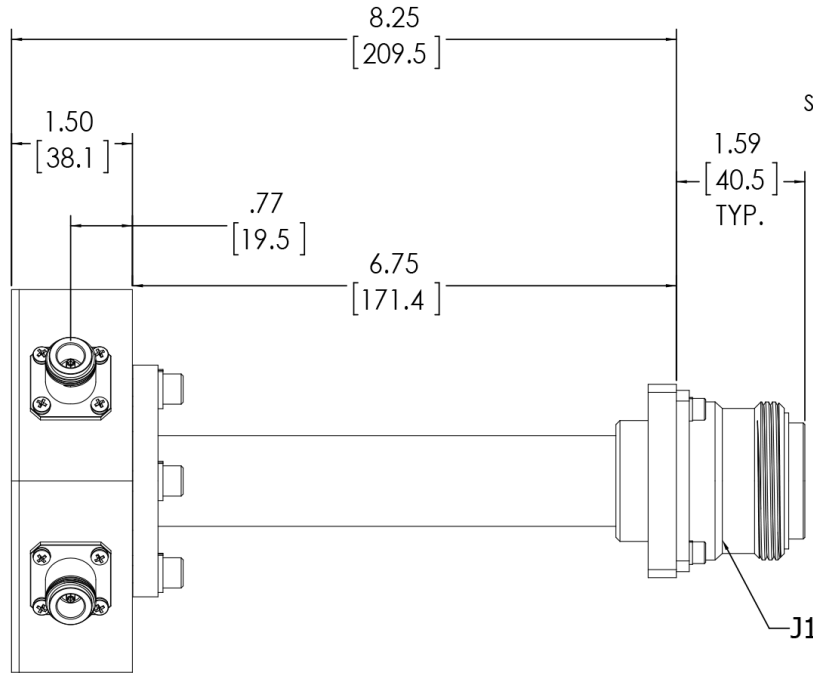
Restriction on use, duplication, or disclosure of proprietary information. This document contains proprietary information which is the sole property of

Werlatone, Inc.

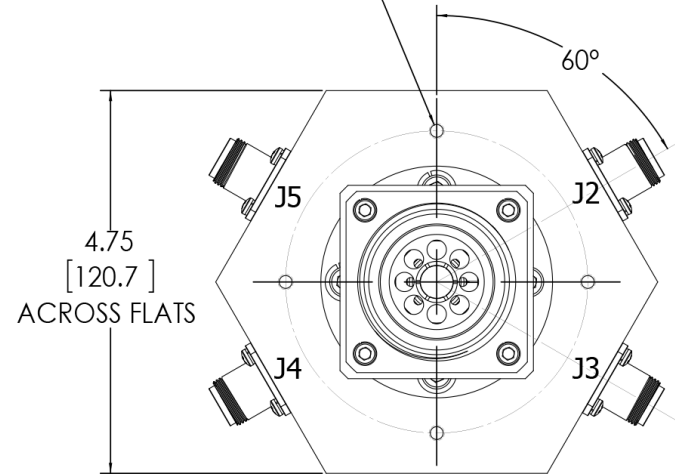
Werlatone, Inc. 17 Jon Barrett Road Patterson, NY 12563 T:(845)278-2220 F:(845)278-3440 sales@werlatone.com www.werlatone.com

RESTRICTION ON USE, DUPLICATION OR DISCLOSURE OF PROPRIETARY INFORMATION
This document contains proprietary information which is the sole property of Werlatone, Inc.

REVISION HISTORY			
REV.	DESCRIPTION	DATE	APPROVED
-	INITIAL-RELEASE	11/21/2014	BW



4X TAP 10-32 ∇ .45 [11.4]
SPACED 90° ON A 3.750 [95.3] ±.003 BC



UNLESS OTHERWISE SPECIFIED		DWN	DATE	WERLATONE SINCE 1965 17 Jon Barrett Rd Patterson, NY 12563
· INTERPRET DRAWING IN ACCORDANCE WITH MIL-STD-100 · DIMENSIONING PER ASME Y14.5M-2009 · PARENTHEetical INFO FOR REF ONLY · DIMENSIONS ARE IN INCHES · TOLERANCES ANGLES # 2 3 PL & .005 2 PL & .015		GP	11/21/2014	
· REMOVE ALL BURRS AND SHARP EDGES R.01 MAX · CONCENTRICITY MACHINED DIA: .002 FIM · MACHINED TOOL MISMATCH .002 MAX.		CHK	DATE	TITLE D10119 4-WAY COMBINER/DIVIDER
APPLICATION THIRD ANGLE PROJECTION		CS	11/21/2014	
NEXT ASSY	USED ON	ENGR	DATE	SIZE CAGE CODE DWG NO C 28812 21218-500
		GP	11/21/2014	
		QA	DATE	SCALE 1:1
		RLSE	DATE	Sheet 1 of 1

Restriction on use, duplication, or disclosure of proprietary information. This document contains proprietary information which is the sole property of Werlatone, Inc.
Werlatone, Inc. 17 Jon Barrett Road Patterson, NY 12563 T:(845)278-2220 F:(845)278-3440 sales@werlatone.com www.werlatone.com