

Werlatone® Mismatch Tolerant® High Power Broadband RF Combiners and Dividers will operate into High Load VSWR Conditions, for extended periods, without damage. With extensive experience as a supplier to military platforms worldwide **Werlatone®** designs its High Power Broadband Combiners, Power Dividers, and N-Way Combiners for proper operation in the most stringent operating conditions.

Features:

High Power Wide Bandwidths Small Size High Isolation Custom Designs Available

Electrical Specifications:

Frequency: 10 - 100 MHz
 Power: 5000 W CW
 Insertion Loss: 0.3 dB Max.
 VSWR: 1.25:1 Max.
 Phase Balance: ± 5° Max.
 Amplitude Balance: ± 0.1 dB Max.
 Isolation: 20 dB Min.

Mechanical Specifications:

Type: Connectorized
 Material: Aluminum 6061-T6
 Surface Finish: Chem. Film Per MIL-DTL-5541F Type I Class 3 (Yellow Iridite) RoHS Compliant Available
 Operating Temperature: -55°C to +75°C
 Storage Temperature: -60°C to +85°C
 Size: 14.375 x 12.0 x 5.0"

Connector Configurations:

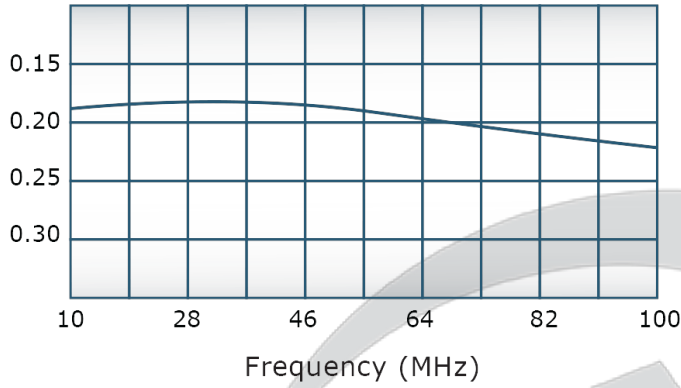
Model	Sum Port (J1)	Input/Output (J2-J5)
D10074-390	LC Female	SC Female

When specified, Werlatone® High Power Combiners and RF Dividers will tolerate full input failures on adjacent port(s). This insures that remaining transmitter(s) may continue to operate until the amplifier system can be properly shut down for maintenance. Choose your specific connector configuration from a list of options. Additional connector configurations for our High Power RF Combiners/Dividers, Non-Coherent Combiners, and N-Way Combiners are available upon request.

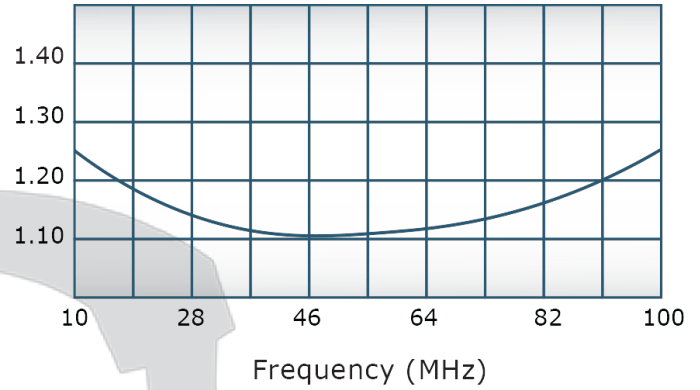


Performance Data (Specifications subject to change without notice):

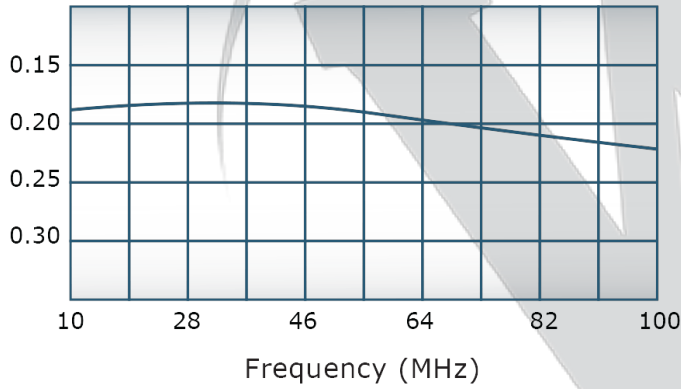
Insertion Loss:



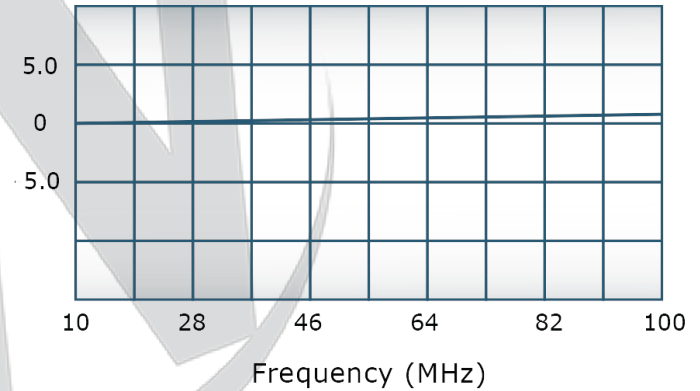
VSWR:



Insertion Loss:



Phase Balance:



Restriction on use, duplication, or disclosure of proprietary information. This document contains proprietary information which is the sole property of Werlatone, Inc.

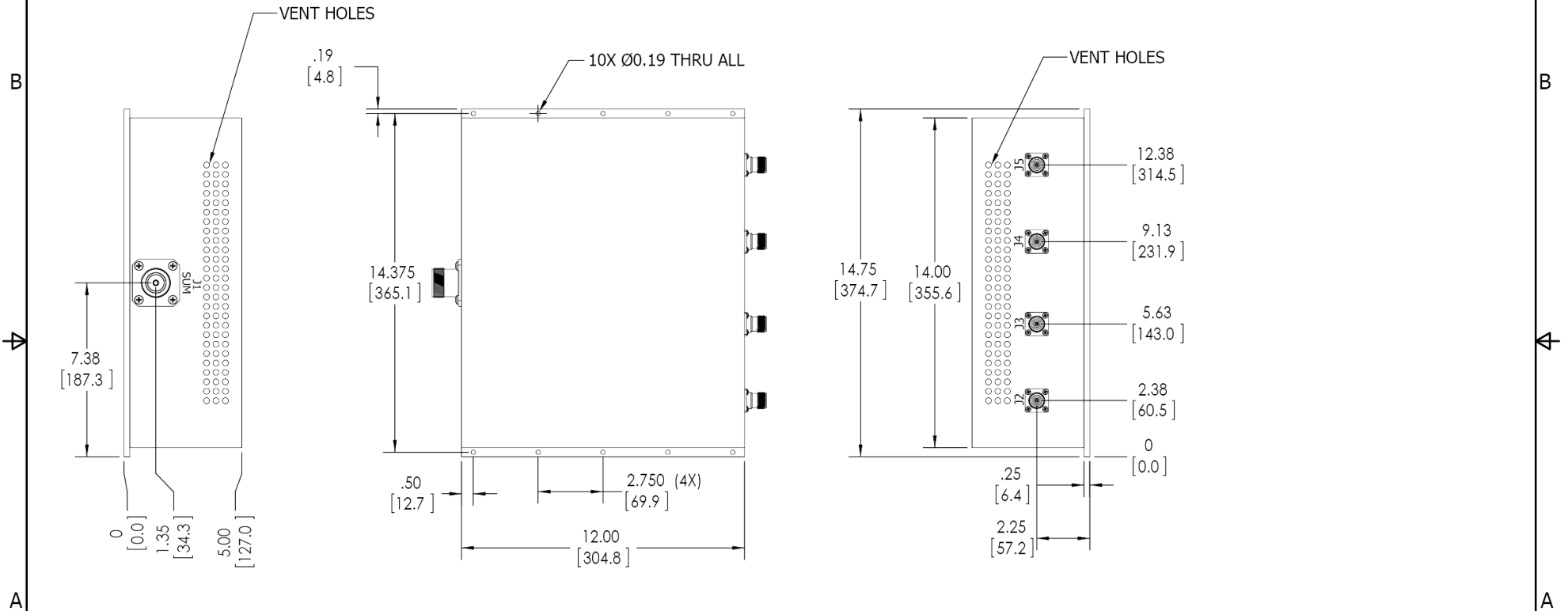
Werlatone, Inc. 17 Jon Barrett Road Patterson, NY 12563 T:(845)278-2220 F:(845)278-3440 sales@werlatone.com www.werlatone.com

RESTRICTION ON USE, DUPLICATION OR DISCLOSURE OF PROPRIETARY INFORMATION

This document contains proprietary information which is the sole property of Werlatone, Inc.

REVISION HISTORY

REV.	REVISION RECORD	DATE	APPROVED
-	INITIAL RELEASE	6/17/2014	SC



PRELIMINARY DWG. SPECIFICATIONS MAY CHANGE PRIOR TO DWG RELEASE.

NOTES: UNLESS OTHERWISE SPECIFIED

- MATERIAL: ALUMINUM 6061-T6**
- SURFACE FINISH: REFER TO P.O**
CHEM FILM PER MIL-DTL-5541F TYPE I CLASS 3 (YELLOW IRIDITE)
CHEM FILM PER MIL-DTL-5541F TYPE II CLASS 3 (RoHS COMPLIANT)
- CONNECTORS: J1 LC FEMALE**
J2-J5 SC FEMALE

UNLESS OTHERWISE SPECIFIED	DWN	DATE	17 Jon Barrett Rd
INTERPRET DRAWING IAW MIL-STD-100	SC	6/17/2014	Patterson, NY 12563
DIMENSIONS PER ASME Y14.5M-2009	CHK	DATE	
PARENTHEetical INFO FOR REF ONLY	BW	6/17/2014	
DIMENSIONS ARE IN INCHES (mm)	ENGR	DATE	TITLE
DIMENSIONAL LIMITS APPLY BEFORE PROCESSES	BW	6/17/2014	OUTLINE
TOLERANCES:	INFR	DATE	SIZE CAGE CODE DWG NO
ANGLES ± 2°	QA	DATE	B 28812 21203-500
3 PL ± .005 (.13)	RLSE	DATE	SCALE 1:4
2 PL ± .015 (.38)			SHEET 1 OF 1
REMOVE ALL BURRS AND SHARP EDGES R.01 MAX			
CONCENTRICITY MACHINED DIA: .002 FIM			
MACHINE TOOL MISMATCH .003 MAX.			
APPLICATION	THIRD ANGLE PROJECTION		

Restriction on use, duplication, or disclosure of proprietary information. This document contains proprietary information which is the sole property of Werlatone, Inc.
Werlatone, Inc. 17 Jon Barrett Road Patterson, NY 12563 T:(845)278-2220 F:(845)278-3440 sales@werlatone.com www.werlatone.com