
PRODUCT DATA SHEET
QH8922
Our patented 3 dB 90° Hybrid Couplers provide:

- Superior component performance starting at 3:1 Bandwidth.
- Thicker center boards for high power and increased repeatability.
- Bonded structures which eliminate any air gaps between substrates.
- More sections per bandwidth for better coupling flatness.
- Electrically shorter and physically smaller RF components.

Features:

High Power Wide Bandwidths Small Size Excellent Amplitude Balance

Electrical Specifications:

Frequency:	150 - 2000 MHz
Power:	100 W CW
Insertion Loss	0.75 dB Max.
VSWR:	1.40:1 Max.
Phase Balance:	90° ± 5° dB Max.
Amplitude Balance:	± 1.0 dB Max.
Isolation:	17 dB Min.

Mechanical Specifications:

Type:	Surface Mount QH8922-Ag: Immersion Silver (RoHS Compliant)
Weight:	0.4 oz.
Size:	1.47 x 1.13 x 0.16"

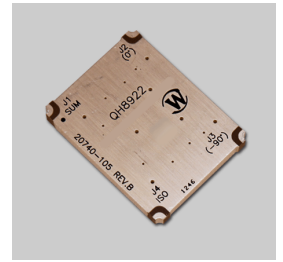
Port Configurations:

J1	J2	J3	J4
Sum	-3 dB, 0°	-3 dB, -90°	Isolated
-3 dB, 0°	Sum	Isolated	-3 dB, -90°
-3 dB, -90°	Isolated	Sum	-3 dB, 0°
Isolated	-3 dB, -90°	-3 dB, 0°	Sum

Werlatone's breakthrough technology allows us to build our existing line of Broadband 3 dB High Power 90° Hybrid Couplers. Connectorized 3 dB 90° Hybrid Coupler models are available with a choice of connectors. Several of our existing High Power 3 dB 90° RF Couplers are three port designs, wherein the difference port is internally terminated with a high power termination. This eliminates the need for a customer supplied external load for each Hybrid Coupler.

Restriction on use, duplication, or disclosure of proprietary information. This document contains proprietary information which is the sole property of Werlatone, Inc.

Werlatone, Inc. 17 Jon Barrett Road Patterson, NY 12563 T:(845)278-2220 F:(845)278-3440 sales@werlatone.com www.werlatone.com

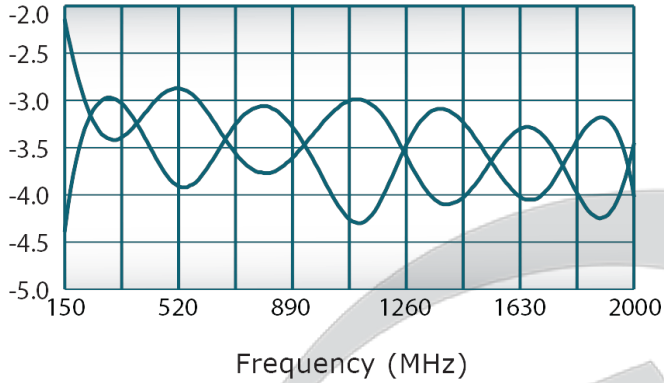


PRODUCT DATA SHEET

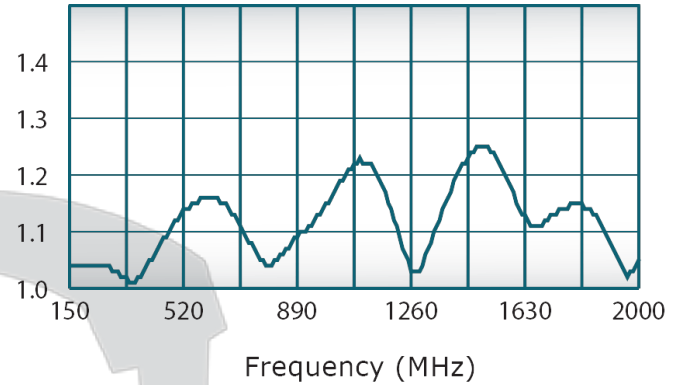
QH8922

Performance Data (Specifications subject to change without notice):

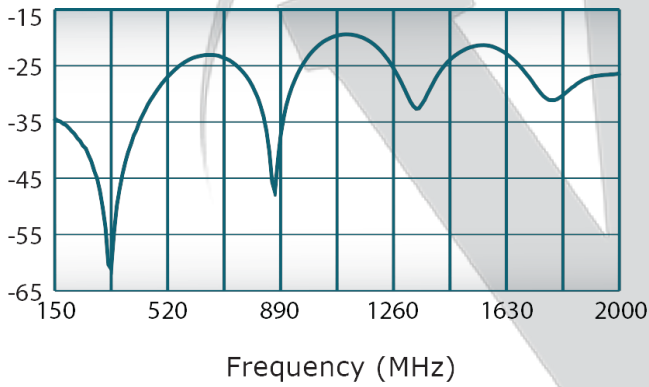
Coupling:



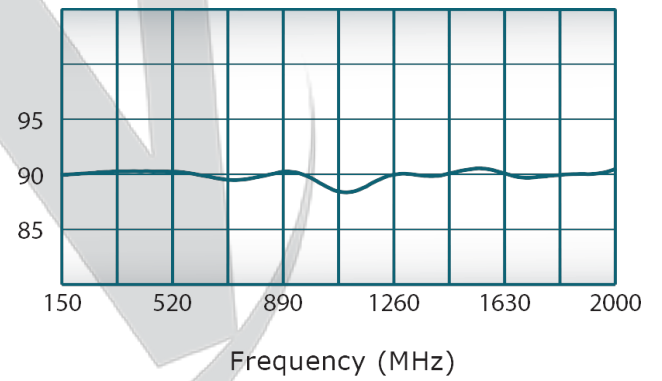
VSWR:



Isolation:



Phase Balance:



Restriction on use, duplication, or disclosure of proprietary information. This document contains proprietary information which is the sole property of

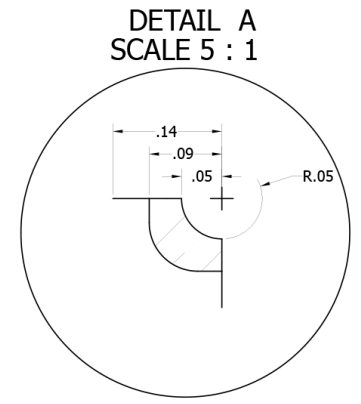
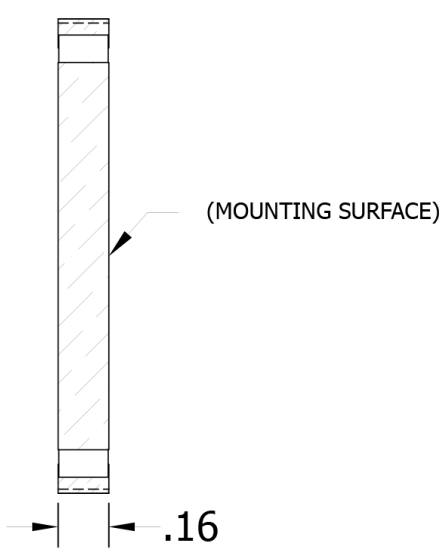
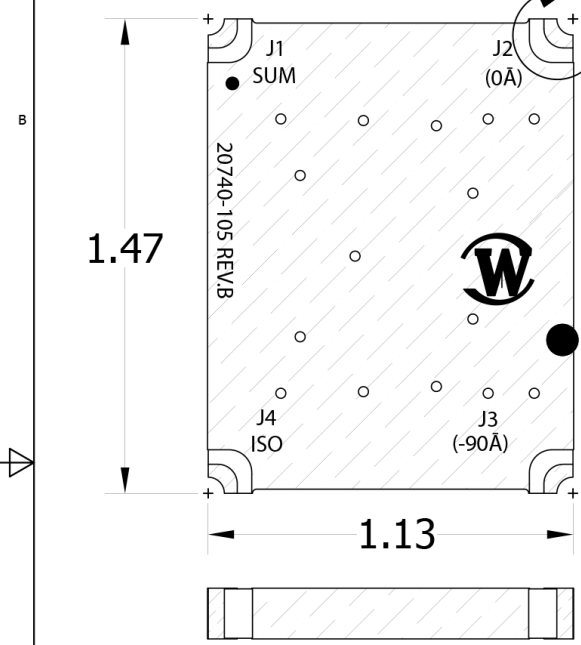
Werlatone, Inc.

Werlatone, Inc. 17 Jon Barrett Road Patterson, NY 12563 T:(845)278-2220 F:(845)278-3440 sales@werlatone.com www.werlatone.com

RESTRICTION ON USE, DUPLICATION OR DISCLOSURE OF PROPRIETARY INFORMATION
 This document contains proprietary information which is the sole property of Werlatone, Inc.

SEE DETAIL A
 (4 PLCS.)

REVISION HISTORY					
DATE	REV	REVISION RECORD	AUTH	CHK	APPV
6/14/2011	-	INITIAL RELEASE	NH	BW	BW
1/27/2012	A	ECN # 5549	NH	BW	BW
4/18/2012	B	ECN # 5644	NH	BW	BW



UNLESS OTHERWISE SPECIFIED		DWN	DATE	WERLATONE SINCE 1965	17 Jon Barrett Rd Patterson, NY 12563		
INTERPRET DRAWING IAW MIL-STD-100 DIMENSIONING PER ASME Y14.5M-2009 PARANETICAL INFO FOR REF ONLY DIMENSIONS ARE IN INCHES TOLERANCES: ANGLE ± 2° 3 PL DECIMALS ± .005 2 PL DECIMALS ± .015		CHK	DATE		TITLE		
		ENGR	DATE	USED ON			
		QA	DATE				
		RLSE	DATE	SIZE	CAGE CODE	DWG NO	REV
				A	28812	20740-500	B
				SCALE	1:1		SHEET 1 OF 1

Restriction on use, duplication, or disclosure of proprietary information. This document contains proprietary information which is the sole property of Werlatone, Inc.
 Werlatone, Inc. 17 Jon Barrett Road Patterson, NY 12563 T:(845)278-2220 F:(845)278-3440 sales@werlatone.com www.werlatone.com