
PRODUCT DATA SHEET
QH7900
Our patented 3 dB 90° Hybrid Couplers provide:

- Superior component performance starting at 3:1 Bandwidth.
- Thicker center boards for high power and increased repeatability.
- Bonded structures which eliminate any air gaps between substrates.
- More sections per bandwidth for better coupling flatness.
- Electrically shorter and physically smaller RF components.

Features:

High Power Wide Bandwidths Small Size Excellent Amplitude Balance

Electrical Specifications:

Frequency:	450 - 2800 MHz
Power:	125 W CW
Insertion Loss	0.55 dB Max.
VSWR:	1.35:1 Max.
Phase Balance:	90° ± 5° dB Max.
Amplitude Balance:	± 0.45 dB Max.
Isolation:	18 dB Min.

Mechanical Specifications:

Type:	Surface Mount
Plating Options:	QH7900-Pb: Electrodeposited Tin/Lead QH7900-Sn: Immersion Tin (RoHS Compliant) QH7900-Ag: Immersion Silver (RoHS Compliant) QH7900-Au (ENIG)
Weight:	6 grams
Size:	1.5 x 1.1 x 0.095"

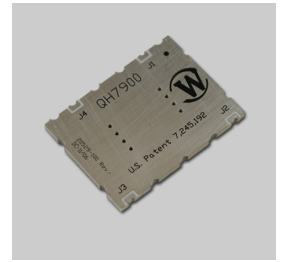
Port Configurations:

J1	J2	J3	J4
Input	-3 dB, 0°	-3 dB, -90°	Isolated
-3 dB, 0°	Input	Isolated	-3 dB, -90°
-3 dB, -90°	Isolated	Input	-3 dB, 0°
Isolated	-3 dB, -90°	-3 dB, 0°	Input

Werlatone's breakthrough technology allows us to build our existing line of Broadband 3 dB High Power 90° Hybrid Couplers. Connectorized 3 dB 90° Hybrid Coupler models are available with a choice of connectors. Several of our existing High Power 3 dB 90° RF Couplers are three port designs, wherein the difference port is internally terminated with a high power termination. This eliminates the need for a customer supplied external load for each Hybrid Coupler.

Restriction on use, duplication, or disclosure of proprietary information. This document contains proprietary information which is the sole property of Werlatone, Inc.

Werlatone, Inc. 17 Jon Barrett Road Patterson, NY 12563 T:(845)278-2220 F:(845)278-3440 sales@werlatone.com www.werlatone.com

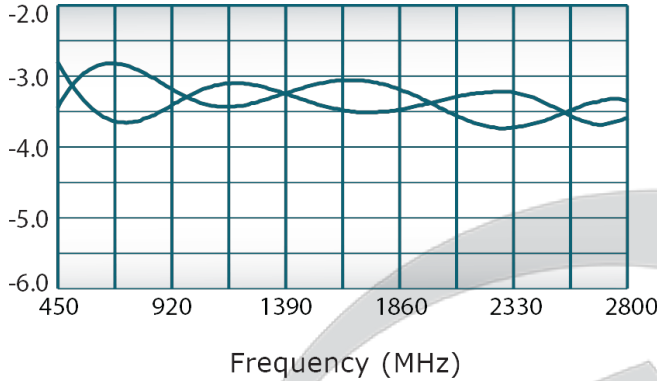


PRODUCT DATA SHEET

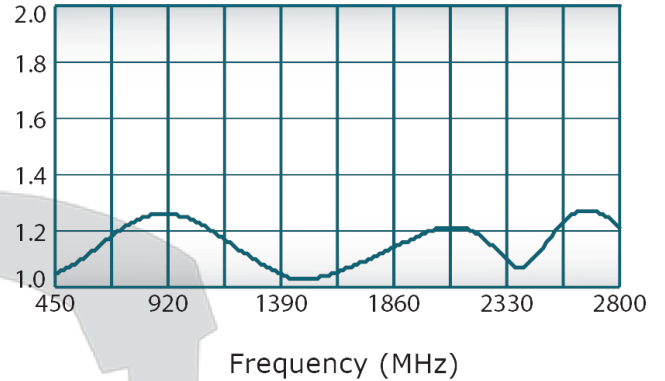
QH7900

Performance Data (Specifications subject to change without notice):

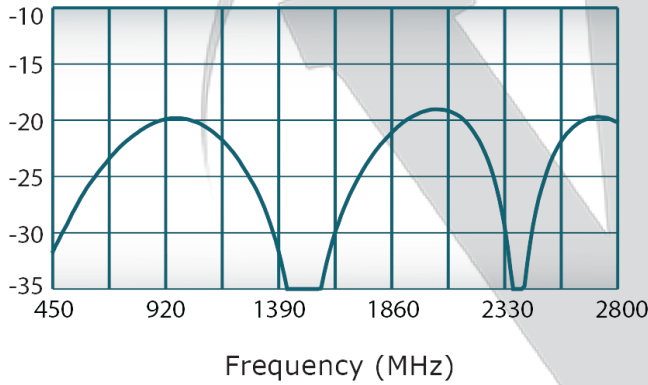
Coupling:



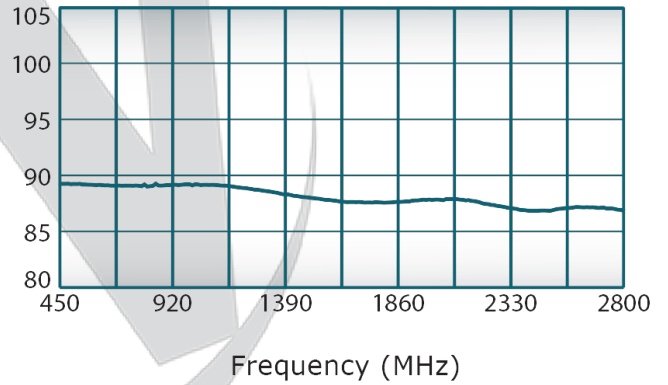
VSWR:



Isolation:



Phase Balance:



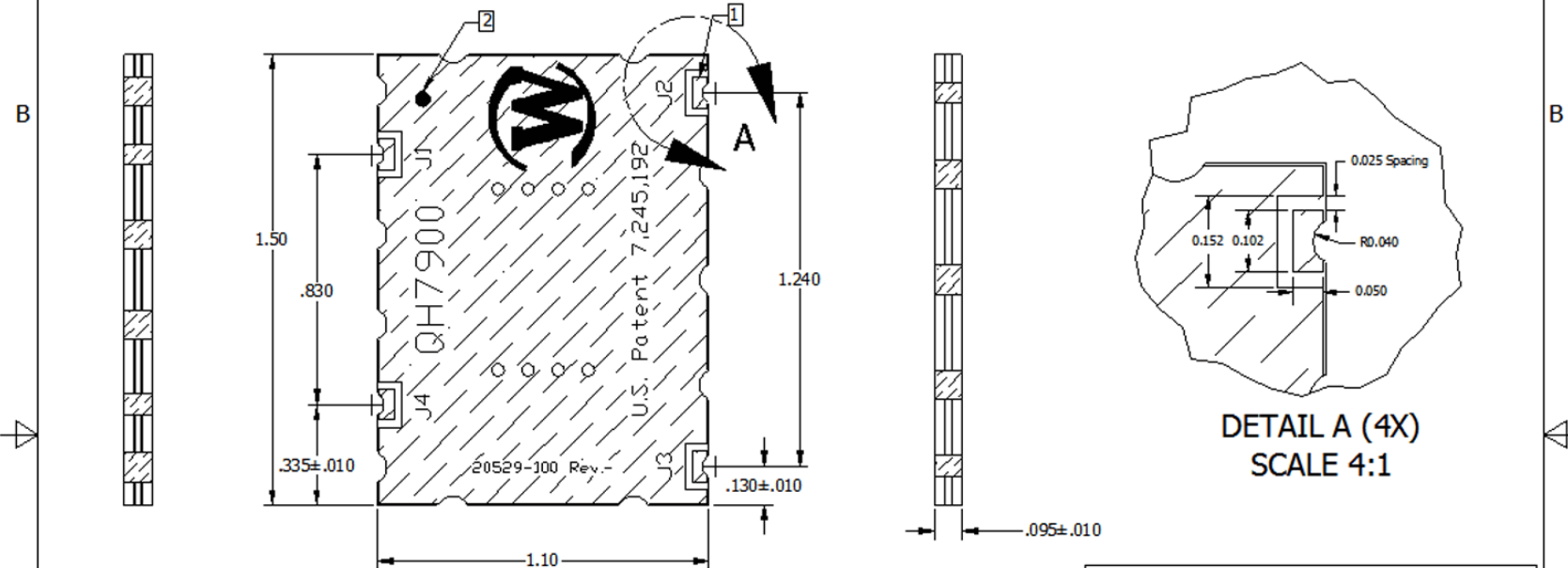
Restriction on use, duplication, or disclosure of proprietary information. This document contains proprietary information which is the sole property of

Werlatone, Inc.

Werlatone, Inc. 17 Jon Barrett Road Patterson, NY 12563 T:(845)278-2220 F:(845)278-3440 sales@werlatone.com www.werlatone.com

RESTRICTION ON USE, DUPLICATION OR DISCLOSURE OF PROPRIETARY INFORMATION
 This document contains proprietary information which is the sole property of Werlatone, Inc.

REVISION HISTORY				
DATE	REV	REVISION RECORD	AUTH	APPV
6/22/2009	-	INITIAL RELEASE	GP	BW
9/8/2010	A	ECN 5223	GP	BW
3/13/2014	B	ECN 8586	GP	BW
11/18/2019	C	ECN 9885	BW	BW



NOTES: UNLESS OTHERWISE SPECIFIED

- Ports (4X) are \varnothing .080 Plated Castellations (4X)
- \varnothing .050 Printed Fiducial for Orientation
- Hatched Areas Denote Metallization
- SMT Component. Reference Tech Note for Mounting Recommendations.
- Plating Options:
 QH7900-Pb : Electrodeposited Tin/Lead
 QH7900-Sn : Immersion Tin
 QH7900-Ag : Immersion Silver
 QH7900-Au : ENIG
 QH7900-Ha : HASL Tin/Lead

ELECTRICAL SPECIFICATIONS

Frequency: 450 - 2800 MHz
 Power: 125 Watts CW
 Insertion Loss: 0.55 db Max.
 Amplitude Balance: ± 0.45 db Max.
 Phase Balance: $90^\circ \pm 5^\circ$ Max.
 VSWR: 1.35:1
 Isolation: 18 dB Min.
 Temperature: -55°C To $+85^\circ\text{C}$

Port Configurations

	J1	J2	J3	J4
Input	-3 dB, 0°	-3 dB, -90°	Isolated	Isolated
-3 dB, 0°	Input	Isolated	-3 dB, -90°	Isolated
-3 dB, -90°	Isolated	Input	-3 dB, 0°	Isolated
Isolated	-3 dB, -90°	-3 dB, 0°	Input	Isolated

UNLESS OTHERWISE SPECIFIED		DATE	DATE	WERLATONE SINCE 1965 17 Jon Barrett Rd Patterson, NY 12563
* INTERPRET DRAWING IN ACCORDANCE WITH ASME Y14.5-2009 * DIMENSIONS GIVEN PER ASME Y14.5-2009 * PARAMETRICAL DIMS FOR REF ONLY * DIMENSIONS ARE IN INCHES * TOLERANCES: ANGLE $\pm 2^\circ$ 3 PL DECIMALS $\pm .005$ 2 PL DECIMALS $\pm .015$	GP 6/22/2009 NH 6/22/2009	DATE DATE	DATE DATE	
THIRD ANGLE PROJECTION				TITLE QH7900 -3 dB Hybrid Coupler
USED ON QH7900				SIZE A
SCALE 2:1				CAGE CODE 28812
SHEET 1 OF 1				DWG NO 20529-500
REV				C

Restriction on use, duplication, or disclosure of proprietary information. This document contains proprietary information which is the sole property of Werlatone, Inc.
 Werlatone, Inc. 17 Jon Barrett Road Patterson, NY 12563 T:(845)278-2220 F:(845)278-3440 sales@werlatone.com www.werlatone.com