


PRODUCT DATA SHEET
QH7819
Our patented 3 dB 90° Hybrid Couplers provide:

- Superior component performance starting at 3:1 Bandwidth.
- Thicker center boards for high power and increased repeatability.
- Bonded structures which eliminate any air gaps between substrates.
- More sections per bandwidth for better coupling flatness.
- Electrically shorter and physically smaller RF components.

Features:

High Power Wide Bandwidths Small Size Excellent Amplitude Balance

Electrical Specifications:

Frequency:	200 - 1000 MHz
Power:	100 W CW
Insertion Loss	0.6 dB Max.
VSWR:	1.35:1 Max.
Phase Balance:	90° ± 5° dB Max.
Amplitude Balance:	± 0.55 dB Max.
Isolation:	20 dB Min.

Mechanical Specifications:

Type:	Surface Mount
Plating Options:	QH7819-Pb: Electrodeposited Tin/Lead QH7819-Sn: Immersion Tin (RoHS Compliant) QH7819-Ag: Immersion Silver (RoHS Compliant) QH7819-Au (ENIG)
Size:	2.5 x 0.75 x 0.15

Port Configurations:

Input	Output			
	J1	J2	J3	J4
J1	---	Isolated	-3 dB, 0°	-3 dB, -90°
J2	Isolated	---	-3 dB, -90°	-3 dB, 0°
J3	-3 dB, 0°	-3 dB, -90°	---	Isolated
J4	-3 dB, -90°	-3 dB, 0°	Isolated	---

Werlatone's breakthrough technology allows us to build our existing line of Broadband 3 dB High Power 90° Hybrid Couplers. Connectorized 3 dB 90° Hybrid Coupler models are available with a choice of connectors. Several of our existing High Power 3 dB 90° RF Couplers are three port designs, wherein the difference port is internally terminated with a high power termination. This eliminates the need for a customer supplied external load for each Hybrid Coupler.

Restriction on use, duplication, or disclosure of proprietary information. This document contains proprietary information which is the sole property of Werlatone, Inc.

Werlatone, Inc. 17 Jon Barrett Road Patterson, NY 12563 T:(845)278-2220 F:(845)278-3440 sales@werlatone.com www.werlatone.com

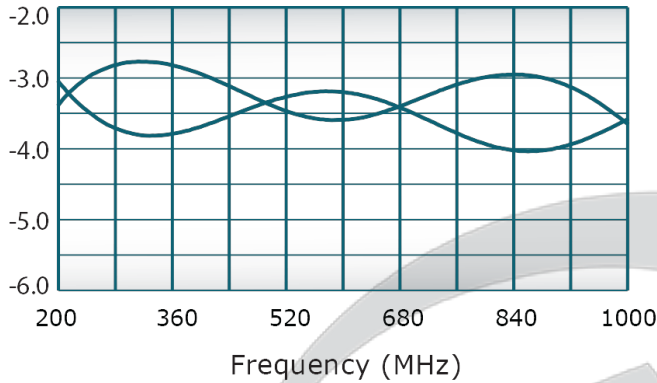


PRODUCT DATA SHEET

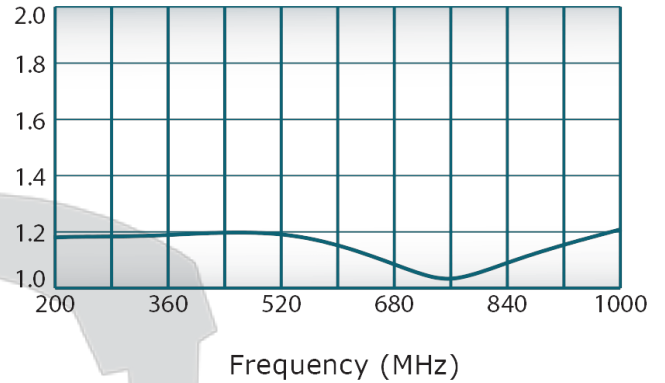
QH7819

Performance Data (Specifications subject to change without notice):

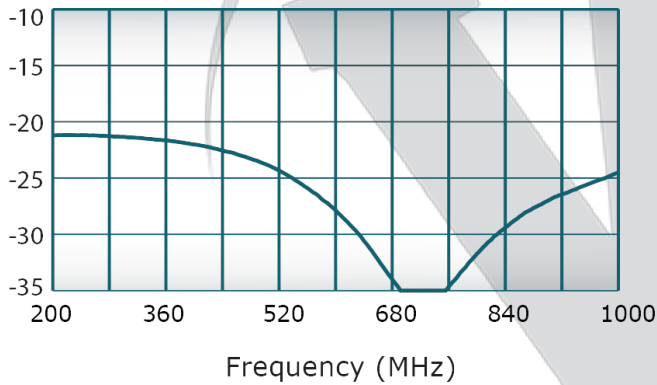
Coupling:



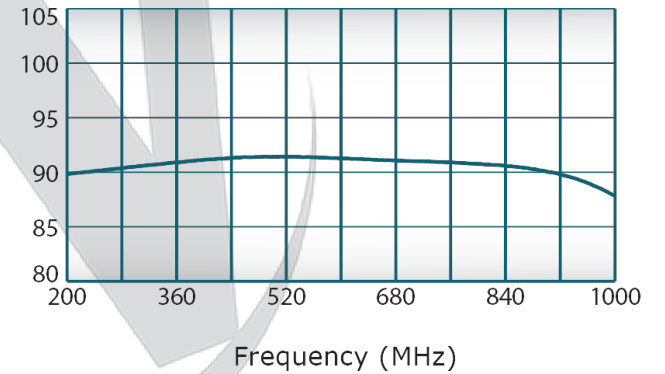
VSWR:



Isolation:



Phase Balance:



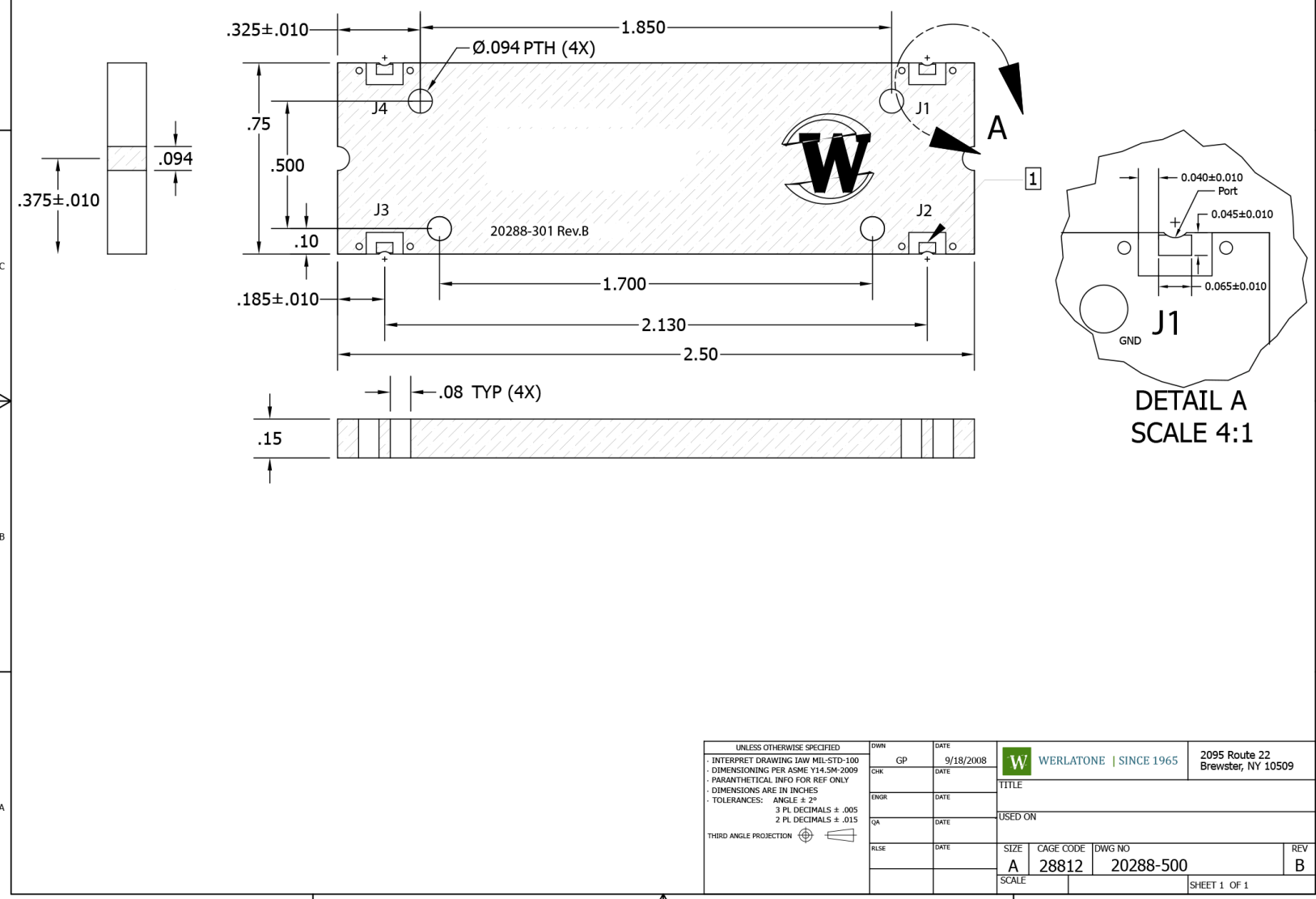
Restriction on use, duplication, or disclosure of proprietary information. This document contains proprietary information which is the sole property of

Werlatone, Inc.

Werlatone, Inc. 17 Jon Barrett Road Patterson, NY 12563 T:(845)278-2220 F:(845)278-3440 sales@werlatone.com www.werlatone.com

RESTRICTION ON USE, DUPLICATION OR DISCLOSURE OF PROPRIETARY INFORMATION
This document contains proprietary information which is the sole property of Werlatone, Inc.

REVISION HISTORY					
DATE	REV	REVISION RECORD	AUTH	DW	CHK
9/18/2008	-	INITIAL RELEASE	GP	GP	NH
10/2/2008	A	ECN 4627	GP	GP	NH
6/19/2009	B	ECN 4910	GP	GP	NH



UNLESS OTHERWISE SPECIFIED		OWN	DATE	WERLATONE SINCE 1965	2095 Route 22 Brewster, NY 10509
INTERPRET DRAWING IAW MIL-STD-100 DIMENSIONING PER ASME Y14.5M-2009 PARANTHETICAL INFO FOR REF ONLY DIMENSIONS ARE IN INCHES TOLERANCES: ANGLE ± 2° 3 PL DECIMALS ± .005 2 PL DECIMALS ± .015		GP	9/18/2008		
THIRD ANGLE PROJECTION		CHK	DATE	TITLE	
		ENGR	DATE	USED ON	
		QA	DATE	SIZE	CAGE CODE
		RLSE	DATE	A	28812
				DWG NO	20288-500
				REV	B
				SCALE	SHEET 1 OF 1

Restriction on use, duplication, or disclosure of proprietary information. This document contains proprietary information which is the sole property of Werlatone, Inc.
 Werlatone, Inc. 17 Jon Barrett Road Patterson, NY 12563 T:(845)278-2220 F:(845)278-3440 sales@werlatone.com www.werlatone.com