

Our patented 3 dB 90° Hybrid Couplers provide:

- Superior component performance starting at 3:1 Bandwidth.
- Thicker center boards for high power and increased repeatability.
- Bonded structures which eliminate any air gaps between substrates.
- More sections per bandwidth for better coupling flatness.
- Electrically shorter and physically smaller RF components.

Features:

High Power Wide Bandwidths Small Size Excellent Amplitude Balance

Electrical Specifications:

Frequency:	2000 - 6000 MHz
Power:	150 W CW
Insertion Loss	0.55 dB Max.
VSWR:	1.35:1 Max.
Phase Balance:	± 5° dB Max.
Amplitude Balance:	± 0.6 dB Max.
Isolation:	18 dB Min.

Mechanical Specifications:

Type:	Surface Mount
Plating Options:	QH12404-Ag: Immersion Silver (RoHS) QH12404-Pb: Electrodeposited Tin/Lead
Size:	1.20 x 0.45 x 0.087"
Weight:	5 grams

Port Configurations:

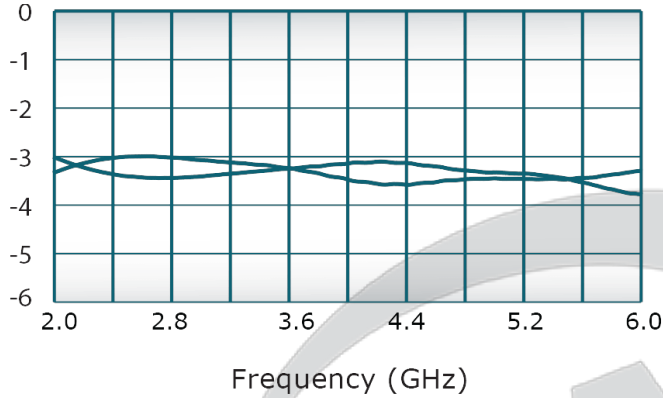
J1	J2	J3	J4
Input	-3 dB, 0°	-3 dB, +90°	Isolated
-3 dB, 0°	Input	Isolated	-3 dB, +90°
-3 dB, +90°	Isolated	Input	-3 dB, 0°
Isolated	-3 dB, +90°	-3 dB, 0°	Input

Werlatone's breakthrough technology allows us to build our existing line of Broadband 3 dB High Power 90° Hybrid Couplers. Connectorized 3 dB 90° Hybrid Coupler models are available with a choice of connectors. Several of our existing High Power 3 dB 90° RF Couplers are three port designs, wherein the difference port is internally terminated with a high power termination. This eliminates the need for a customer supplied external load for each Hybrid Coupler.

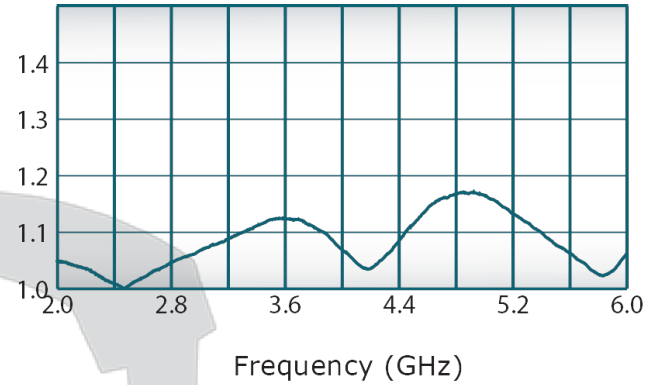


Performance Data (Specifications subject to change without notice):

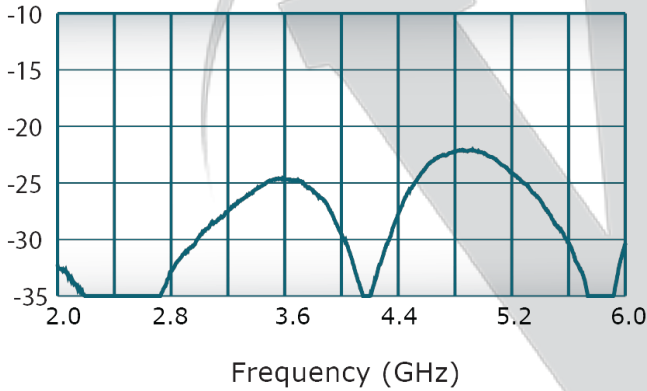
Coupling:



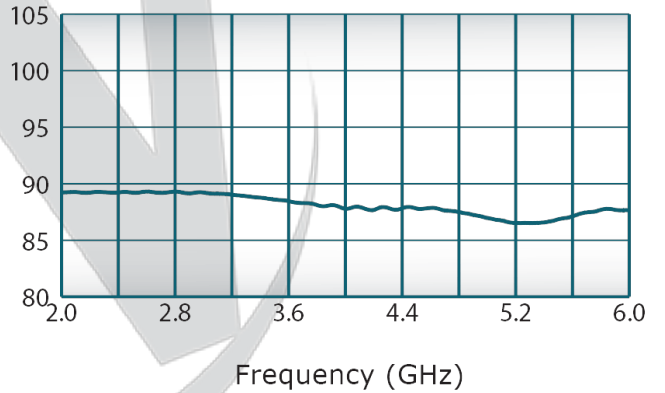
VSWR:



Isolation:



Phase Balance:



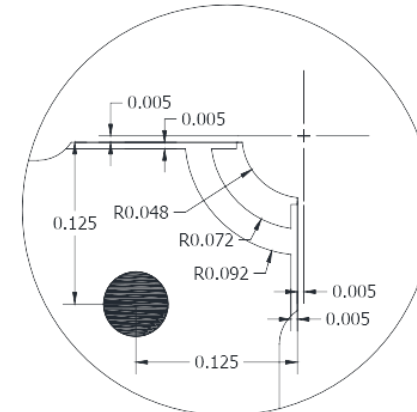
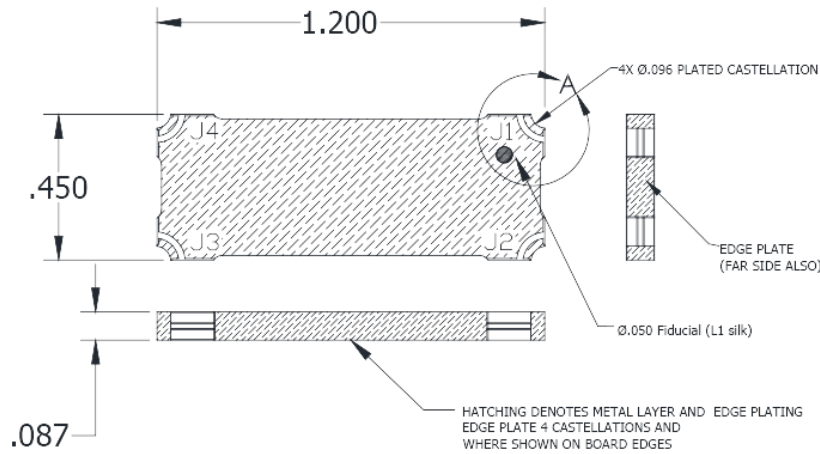
Restriction on use, duplication, or disclosure of proprietary information. This document contains proprietary information which is the sole property of

Werlatone, Inc.

Werlatone, Inc. 17 Jon Barrett Road Patterson, NY 12563 T:(845)278-2220 F:(845)278-3440 sales@werlatone.com www.werlatone.com

RESTRICTION ON USE, DUPLICATION OR DISCLOSURE OF PROPRIETARY INFORMATION
 This document contains proprietary information which is the sole property of Werlatone, Inc.

1	A	B	C	D
REVISION HISTORY				
2	REV	REVISION RECORD	DATE	APPROVED
3	-	INITIAL RELEASE	7/1/2022	BW
4				
5				
6				



DETAIL A
SCALE 8:1

ELECTRICAL SPECIFICATIONS

Frequency: 2.0 - 6.0 GHz
 Power: 150 Watts CW
 Insertion Loss: 0.55 dB Max.
 Amplitude Balance: ±0.6 dB Max.
 Phase Balance: 90° ± 5° Max.
 VSWR: 1.35:1
 Isolation: 18 dB Min.
 Temperature (Operating): -55 to +85 °C

PART MARKING
 (BLACK EPOXY ON TOP SURFACE)



SCALE 1:1

Port Configurations			
J1	J2	J3	J4
Input	-3 dB, 0°	-3 dB, +90°	Isolated
-3 dB, 0°	Input	Isolated	-3 dB, +90°
-3 dB, +90°	Isolated	Input	-3 dB, 0°
Isolated	-3 dB, +90°	-3 dB, 0°	Input

NOTES: UNLESS OTHERWISE SPECIFIED

1. SURFACE MOUNT UNIT
2. SURFACE FINISH: IMMERSION SILVER (RoHS Compliant).
3. OTHER SURFACE FINISHES AVAILABLE UPON REQUEST.
4. UNIT INTENDED TO BE SOLDERED TO A MICROSTRIP SUBSTRATE. FOR MORE INFO, REQUEST APPLICATION NOTE

UNLESS OTHERWISE SPECIFIED		DWN	DATE	WERLATONE SINCE 1965	17 Jon Barrett Rd Patterson, NY 12563
<ul style="list-style-type: none"> • INTERPRET DRAWING IN ACCORDANCE WITH MIL-STD-100 • DIMENSIONING PER ASME Y14.5M-2009 • PARENTHESES FOR REF ONLY • DIMENSIONS ARE IN INCHES • DIMENSIONAL LIMITS APPLY BEFORE PROCESSES • TOLERANCES: ANGLES ± 2° 3 PL ± .010 2 PL ± .015 	GP	6/29/2022			
	CHK	DATE		TITLE	
	MS	7/1/2022		QH12404 90° Hybrid Coupler	
	ENGR	DATE		SIZE	CAGE CODE
	GP	7/1/2022		A	28812
	MFGR	DATE		DWG NO	21874-500
	QA	DATE		REV	-
	RLSE	DATE		SCALE	2:1
THIRD ANGLE PROJECTION				SHEET 1 OF 1	

Restriction on use, duplication, or disclosure of proprietary information. This document contains proprietary information which is the sole property of Werlatone, Inc.
 Werlatone, Inc. 17 Jon Barrett Road Patterson, NY 12563 T:(845)278-2220 F:(845)278-3440 sales@werlatone.com www.werlatone.com