

**Our patented 3 dB 90° Hybrid Couplers provide:**

- Superior component performance starting at 3:1 Bandwidth.
- Thicker center boards for high power and increased repeatability.
- Bonded structures which eliminate any air gaps between substrates.
- More sections per bandwidth for better coupling flatness.
- Electrically shorter and physically smaller RF components.

**Features:**

High Power      Wide Bandwidths      Small Size      Connectorized      Drop-In &amp; Surface Mount

**Electrical Specifications:**

Frequency:	500 - 2500 MHz
Power:	200 W CW
Insertion Loss:	0.7 dB Max.
VSWR:	1.35:1 Max.
Phase Balance:	90° ± 5° Max.
Amplitude Balance:	± 0.5 dB Max.
Isolation:	18 dB Min.

**Mechanical Specifications:**

Type:	Connectorized
Material:	Aluminum 6061-T6
Surface Finish:	Chem. Film Per MIL-DTL-5541F Type I Class 3 (Yellow Iridite) RoHS Compliant Available
Operating Temperature:	-55°C to +75°C
Storage Temperature:	-60°C to +85°C
Weight:	0.25 lb.
Size:	2.1 x 1.49 x 0.75"

**Connector Configurations:**

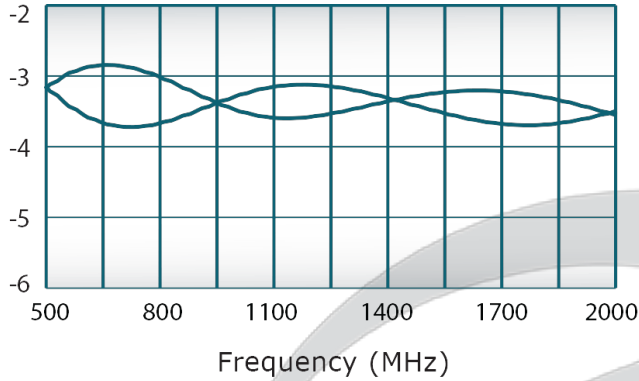
Model	Sum Port (J1)	0°,90° (J2,J3)	Iso. Port (J4)
QH7902-102	SMA	SMA	SMA

**Werlatone's** breakthrough technology allows us to build our existing line of Broadband 3 dB High Power 90° Hybrid Couplers. Connectorized 3 dB 90° Hybrid Coupler models are available with a choice of connectors. Several of our existing High Power 3 dB 90° RF Couplers are three port designs, wherein the difference port is internally terminated with a high power termination. This eliminates the need for a customer supplied external load for each Hybrid Coupler.

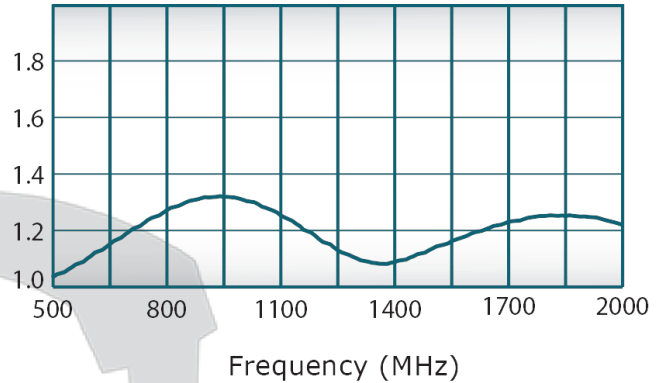


## Performance Data (Specifications subject to change without notice):

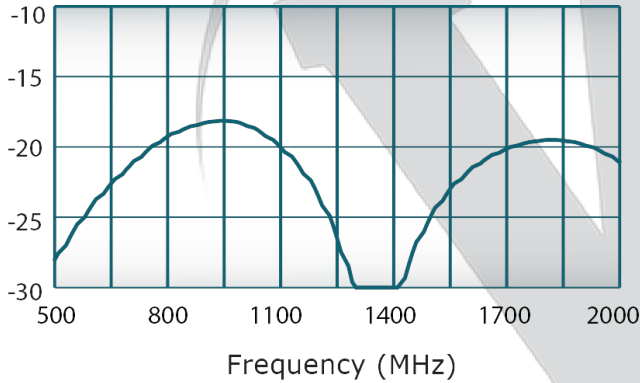
Coupling:



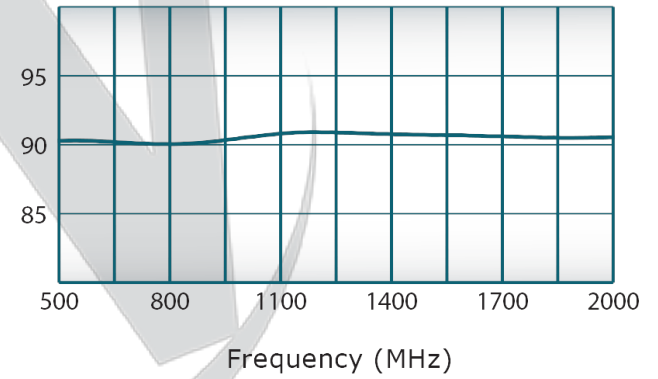
VSWR:



Isolation:



Phase Balance:



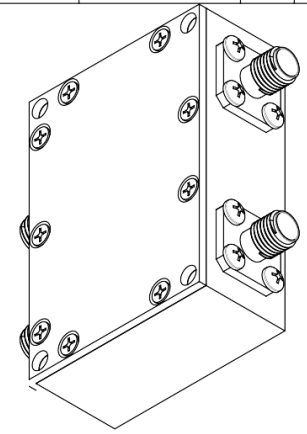
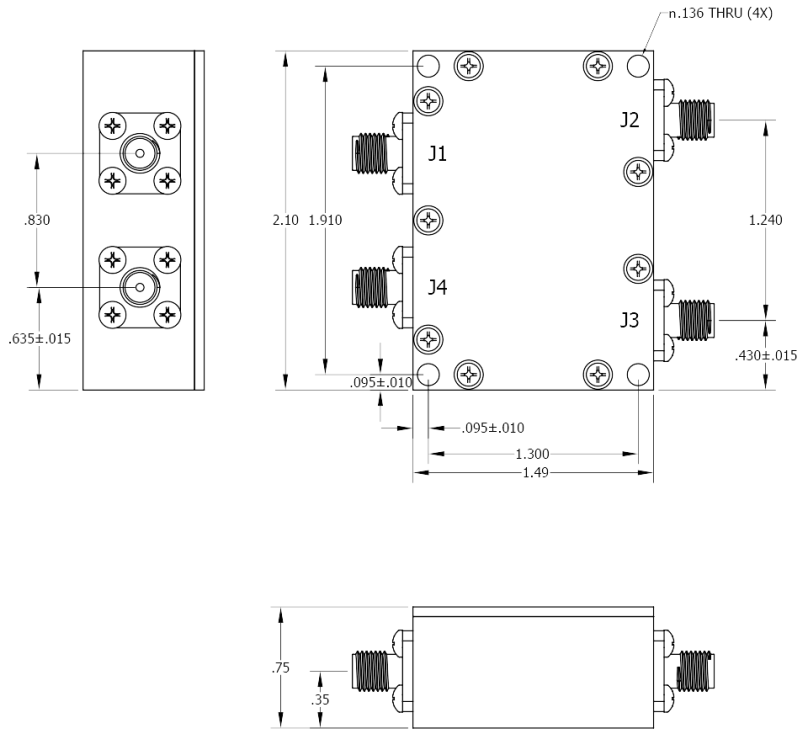
Restriction on use, duplication, or disclosure of proprietary information. This document contains proprietary information which is the sole property of

Werlatone, Inc.

Werlatone, Inc. 17 Jon Barrett Road Patterson, NY 12563 T:(845)278-2220 F:(845)278-3440 sales@werlatone.com www.werlatone.com

RESTRICTION ON USE, DUPLICATION OR DISCLOSURE OF PROPRIETARY INFORMATION  
 This document contains proprietary information which is the sole property of Werlatone, Inc.

REVISION HISTORY					
DATE	REV	REVISION RECORD	AUTH	CHK	APPV
5/20/2010	-	INITIAL RELEASE	GP	NH	BW
8/16/2011	A	ECN 5442	GP	NH	BW



UNLESS OTHERWISE SPECIFIED		DWN	DATE	<b>WERLATONE   SINCE 1965</b> 17 Jon Barrett Rd Patterson, NY 12563
<ul style="list-style-type: none"> <li>• INTERPRET DRAWING IAW MIL-STD-100</li> <li>• DIMENSIONS PER ASME Y14.5M-2009</li> <li>• PARENTHETICAL TIPS FOR REF ONLY</li> <li>• DIMENSIONS ARE IN INCHES</li> <li>• DIMENSIONAL LIMITS APPLY BEFORE PROCESSING</li> <li>• TOLERANCES: ANGLE ± 2°</li> <li>  2 PL ± .005</li> <li>  3 PL ± .015</li> </ul>		GP	8/16/2010	
THIRD ANGLE PROJECTION		CHK	DATE	TITLE
		ENGR	DATE	
		APVD	DATE	
		QA	DATE	
		RLSE	DATE	
SIZE	CAGE CODE	DWG NO		REV
A	28812	20650-500		A
SCALE	1:1			SHEET 1 OF 1

Restriction on use, duplication, or disclosure of proprietary information. This document contains proprietary information which is the sole property of Werlatone, Inc.  
 Werlatone, Inc. 17 Jon Barrett Road Patterson, NY 12563 T:(845)278-2220 F:(845)278-3440 sales@werlatone.com www.werlatone.com