



DECADES AHEAD[®]
high power RF devices

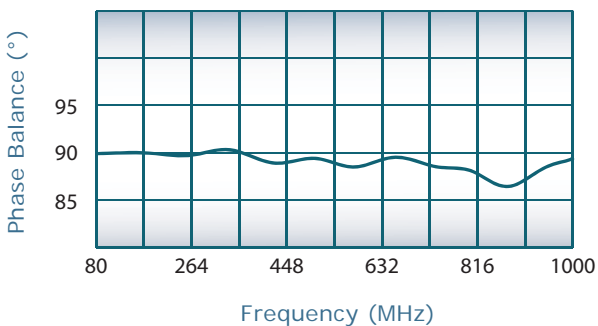
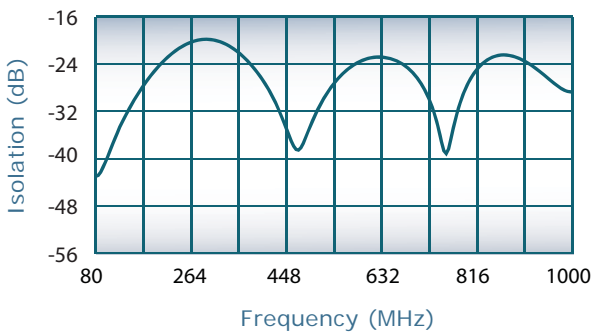
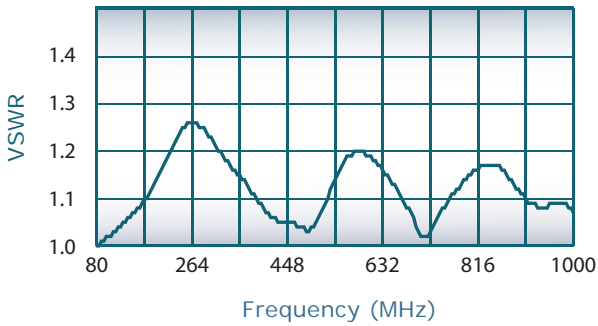
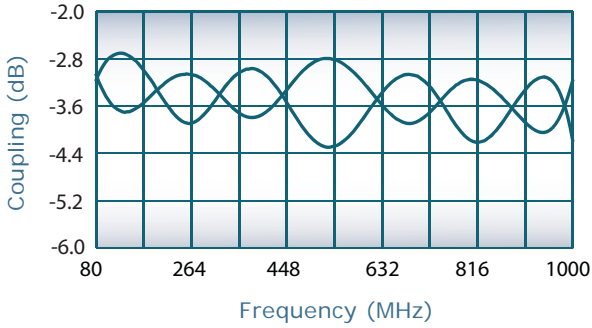
Werlatone[®], Inc.

17 Jon Barrett Road Patterson, New York 12563
 T (845) 278 2220 www.werlatone.com
 F (845) 278 3440 sales@werlatone.com

90° Hybrid Coupler

Model QH9281W

Frequency:	80 - 1000 MHz
Power:	250 W CW
Insertion Loss:	0.7 dB Max.
VSWR:	1.45: 1 Max.
Isolation:	18 dB Min.
Phase Balance:	± 5° Max.
Amplitude Balance:	± 1.0 dB Max.

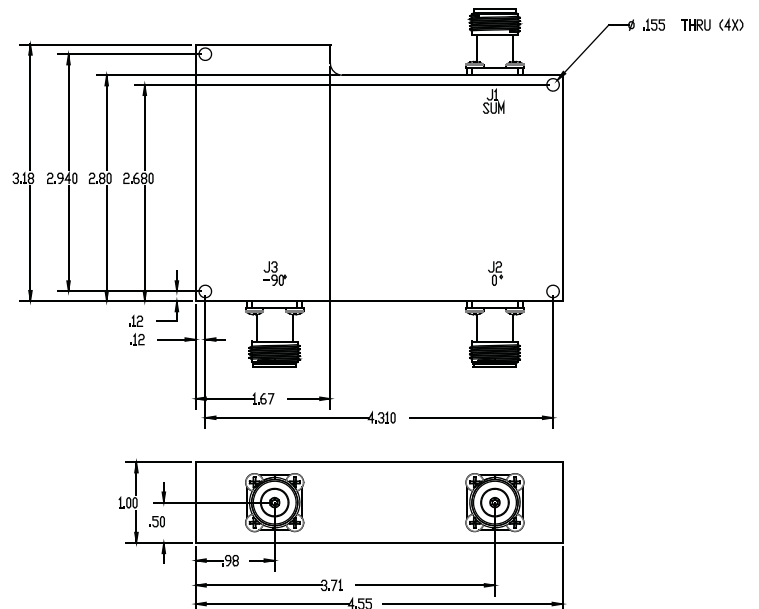


Notes

- **Watertight Design, O-Ring Sealed**
- Surface Finish: Black Epoxy Paint
- All specifications guaranteed
- Test data provided with each unit shipped
- Alternate connector configurations upon request
- Operating Temperature: -55°C to +75°C

Connector Configurations

Model	J1 (Sum Port)	J2, J3 (0°, -90°)
QH9281W-10	N Female	N Female
QH9281W-12	N Female	SMA



Specifications subject to change without notice



Send Us Your Specs for Custom Designs