



**DECADES AHEAD<sup>®</sup>**  
high power RF devices

**Werlatone<sup>®</sup>, Inc.**

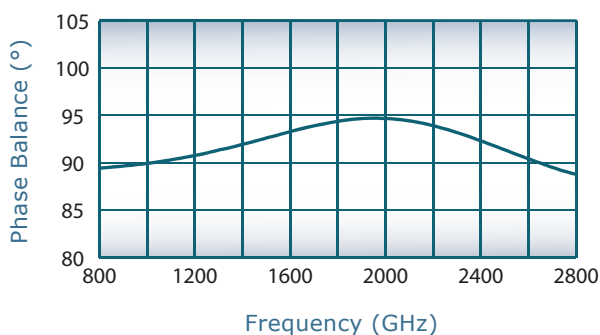
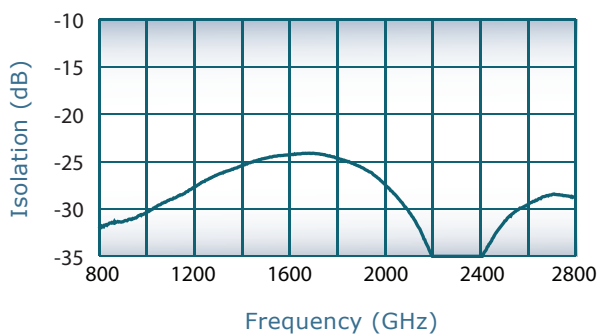
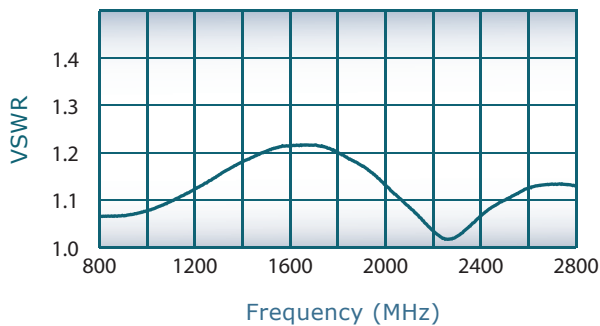
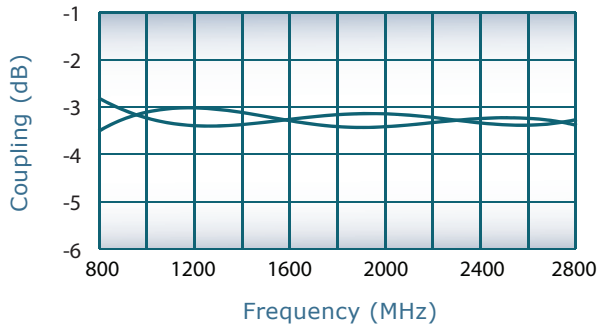
17 Jon Barrett Road Patterson, New York 12563  
T (845) 278 2220      www.werlatone.com  
F (845) 278 3440      sales@werlatone.com



**90° Hybrid Coupler**

**Model QH10089**

Frequency:	800 - 2800 MHz
Power:	200 W CW
Insertion Loss:	0.35 dB Max.
VSWR:	1.30:1 Max.
Isolation:	20 dB Min.
Phase Balance:	± 5° Max.
Amplitude Balance:	± 0.4 dB Max.

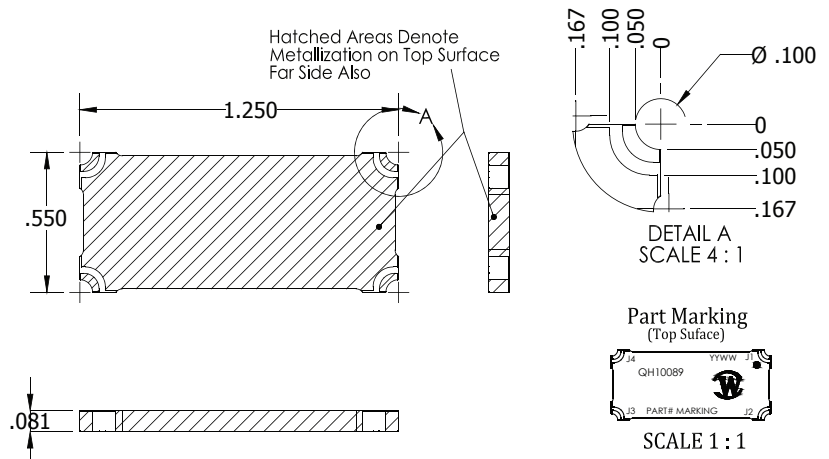


**Notes**

- All specifications guaranteed
- Test data provided with each unit shipped
- Operating Temperature: -55°C to +75°C
- Surface Mount Design
- Surface Finish: Immersion Silver (RoHS Compliant)
- Other surface finishes available upon request
- Unit intended to be soldered to a microstrip substrate. For more info, request surface mount unit application note.

**Port Configurations**

J1	J2	J3	J4
Input	-3 dB, 0°	-3 dB, 0°	Isolated
-3 dB, 0°	Input	Isolated	-3 dB, -90°
-3 dB, -90°	Isolated	Input	-3 dB, 0°
Isolated	-3 dB, -90°	-3 dB, -90°	Input



Part Marking  
(Top Surface)



SCALE 1 : 1

