



**DECADES AHEAD<sup>®</sup>**  
high power RF devices

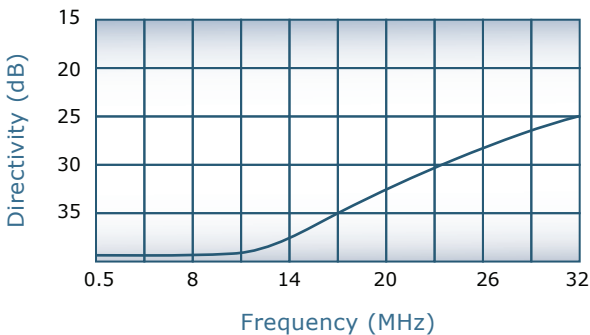
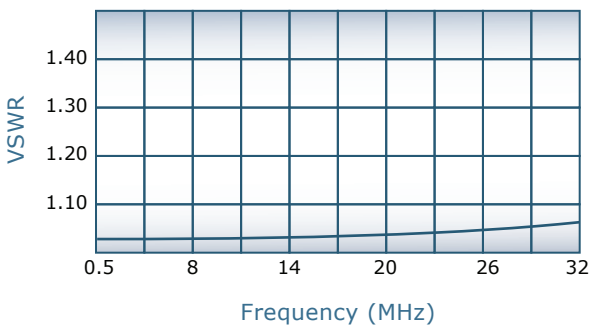
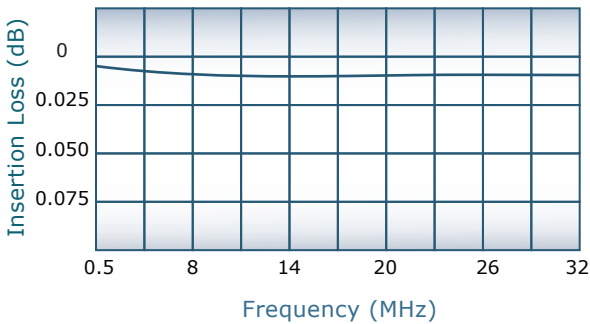
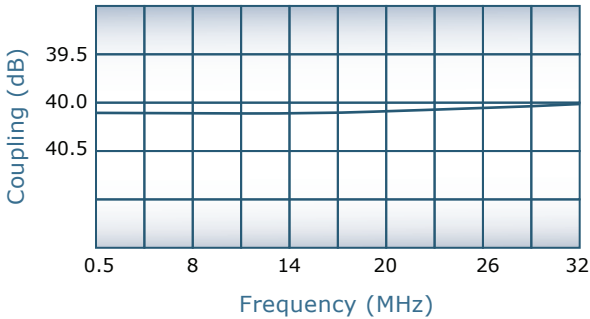
**Werlatone<sup>®</sup>, Inc.**

17 Jon Barrett Road Patterson, New York 12563  
T (845) 278 2220      www.werlatone.com  
F (845) 278 3440      sales@werlatone.com



**40 dB Dual Directional Coupler  
Model C3744**

Frequency:	0.5 - 32 MHz
Power:	5,000 W CW
Coupling:	40 ± 1.0 dB Nom.
Insertion Loss:	0.05 dB Max. *
VSWR:	1.15:1 Max.
Flatness:	± 0.5 dB Max.
Directivity:	20 dB Min.

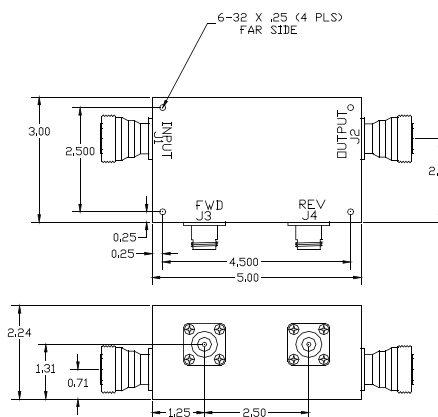


**Notes**

- \* Does not include theoretical coupling loss
- All specifications guaranteed
- Test data provided with each unit shipped
- Weight: 1.5 Pounds
- Operating Temperature: -55°C to +75°C
- Uni-Directional version available

**Connector Configurations**

Model	J1,J2 (Main Line)	J3,J4 (Coupled Ports)
C3744-20	7/16 Female	N Female
C3744-22	7/16 Female	SMA
C3744-30*	LC Female	N Female
C3744-33*	LC Female	BNC
C3744-503*	SQS Female	BNC



(\* ) Note connector placement due connector flange size

