



DECADES AHEAD[®]
high power RF devices

Werlatone[®], Inc.

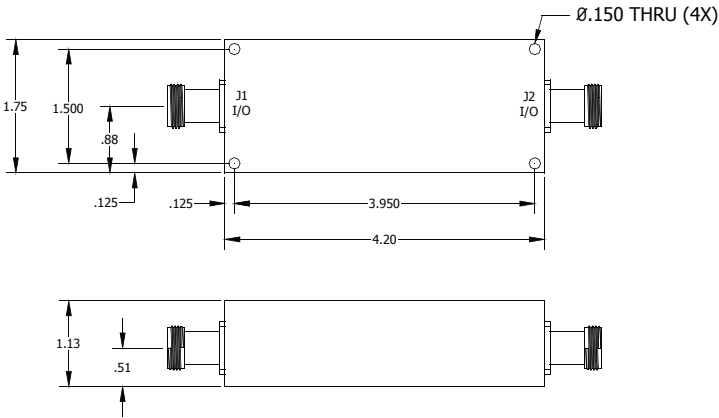
17 Jon Barrett Road Patterson, New York 12563
T (845) 278 2220 www.werlatone.com
F (845) 278 3440 sales@werlatone.com



Absorptive Low Pass Filter

Model AF9350

Pass Band:	10 - 500 MHz
Stop Band:	750 - 3000 MHz
Power:	400 W CW (Pass Band)
Power:	25 W CW (Stop Band)
Insertion Loss:	0.5 dB Max. (Pass Band)
Rejection:	45 dB Min. (750-3000 MHz)
VSWR:	1.25:1 Max. (10-500 MHz)
VSWR:	1.60:1 Max. (501-1500 MHz)



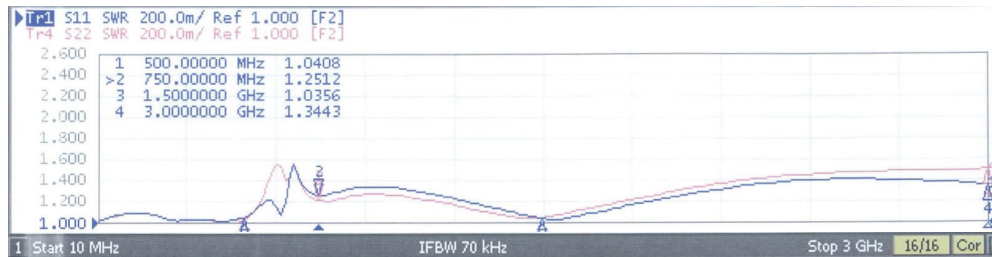
Connector Configurations

Model	J1 (Input/Output)	J2 (Input/Output)
AF9350-10	N Female	N Female
AF9350-12	N Female	SMA
AF9350-102	SMA	SMA

Notes

- All specifications guaranteed
- Test data provided with each unit shipped
- Operating Temperature: -55°C to +75°C

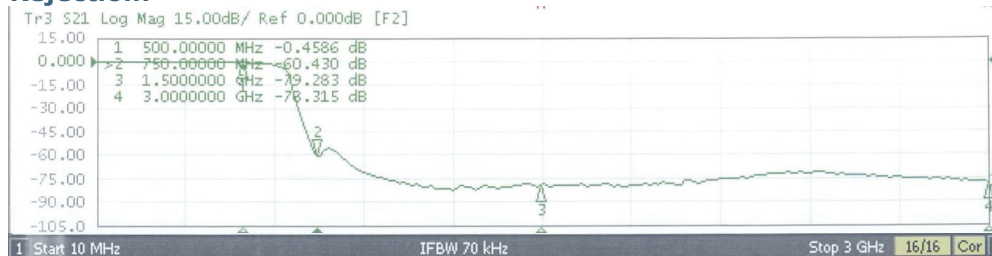
VSWR:



Insertion Loss (In-Band):



Rejection:



Specifications subject to change without notice