



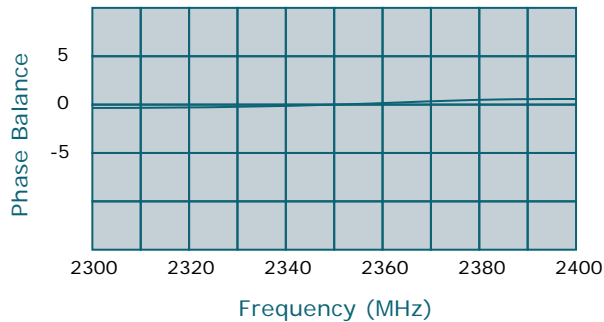
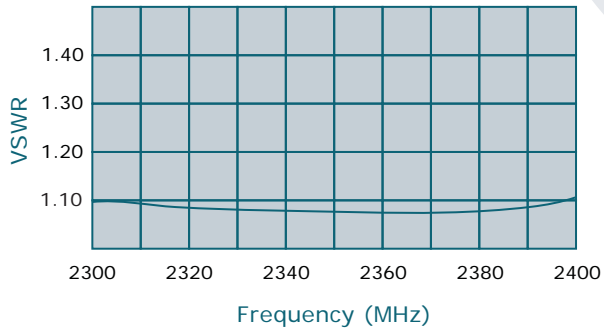
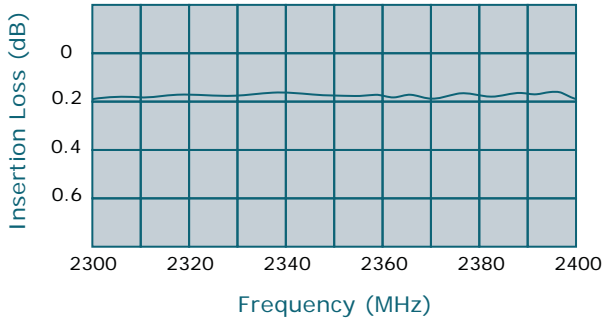
WERLATONE

SINCE 1965

Werlatone, Inc.
17 Jon Barrett Road
Patterson, New York 12563
T 845.278.2220
F 845.278.3440
www.werlatone.com

16-Way Combiner/Divider

Model D6310



**Subject to change without notice

Frequency: 2300-2400 MHz

Power: 200 W CW

Insertion Loss: 0.2 dB Max.

VSWR: 1.15:1 Max.

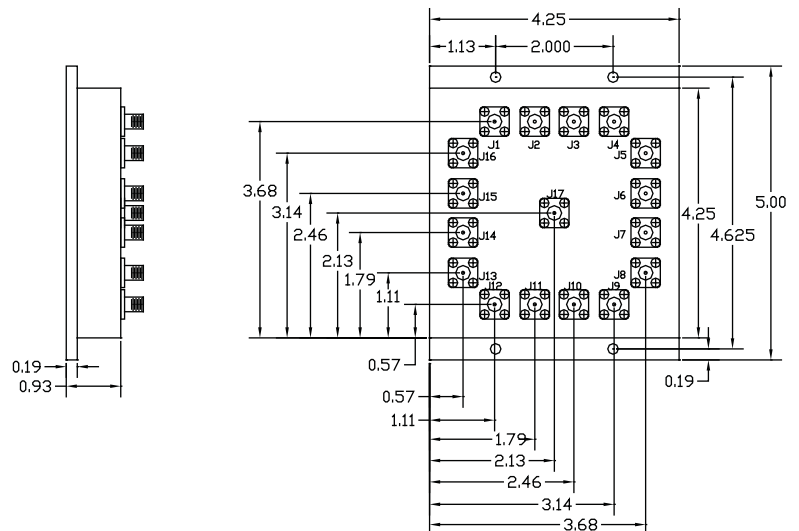
Isolation: Non-Isolated

Phase Balance: 5° Max.

Amplitude Balance: 0.2 dB Max.

- All specifications guaranteed.
- Test data provided with each unit shipped.
- Alternate connector configurations upon request.

Connector Configurations		
Model	J17 (Sum Port)	J1-J16 (Inputs/Outputs)
D6310-10	N Female	N Female



high power RF devices